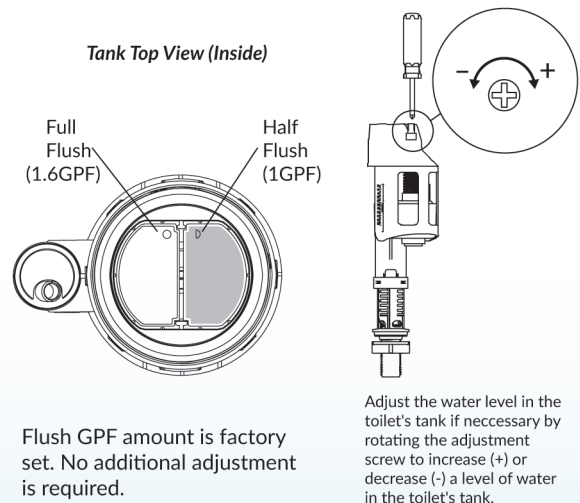
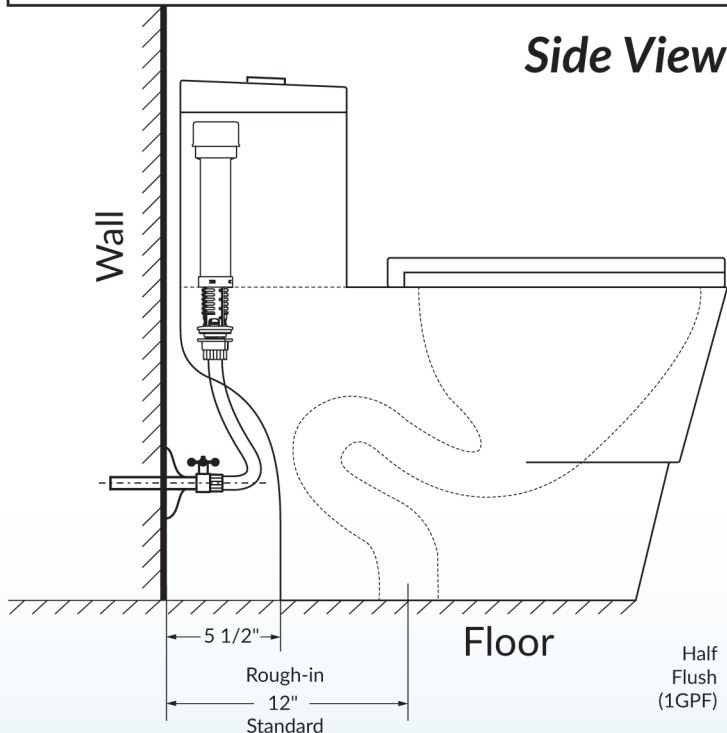
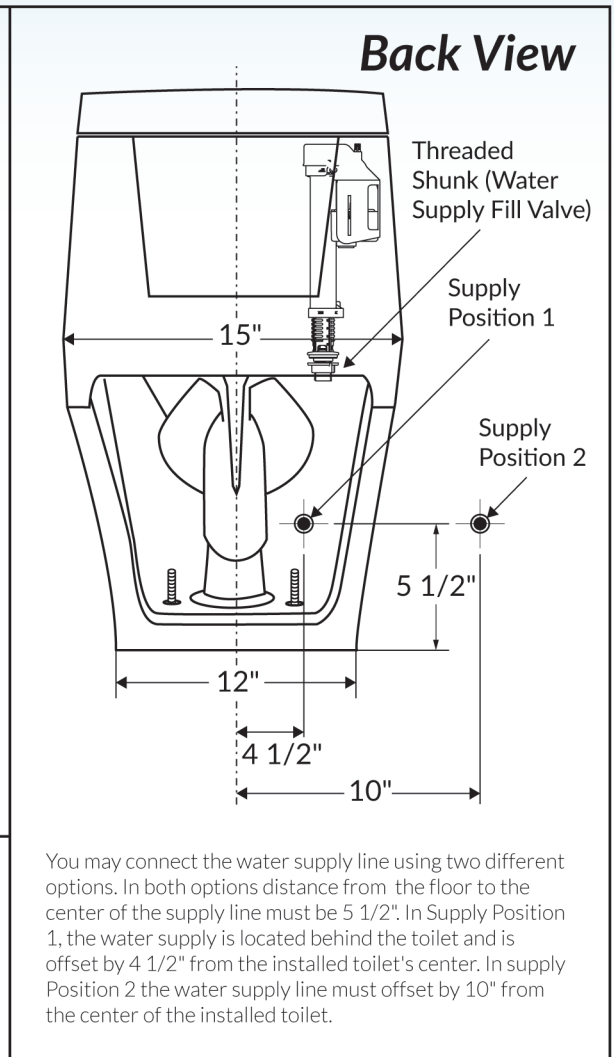
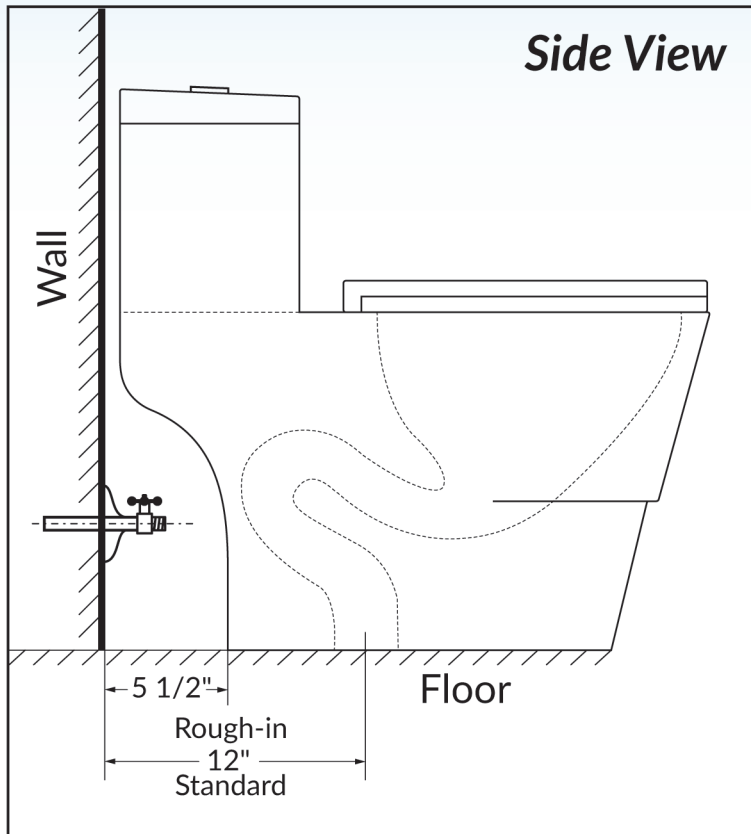


IMPORTANT INFORMATION

- Measurements are +3/8" and subject to change without notice
- Specifications & Configurations are subject to change without notice
- Pls measure toilet on-site before installation
- Please note that installer(s) must be certify or warranty will be voided.
- Measurements herein supersede all others published prior to publication date shown below



IMPORTANT INFORMATION

- Measurements are +3/8" and subject to change without notice
- Specifications & Configurations are subject to change without notice
- Pls measure toilet on-site before installation

- Please note that installer(s) must be certify or warranty will be voided.
- Measurements herein supersede all others published prior to publication date shown below