

## F0021CH F0022BN

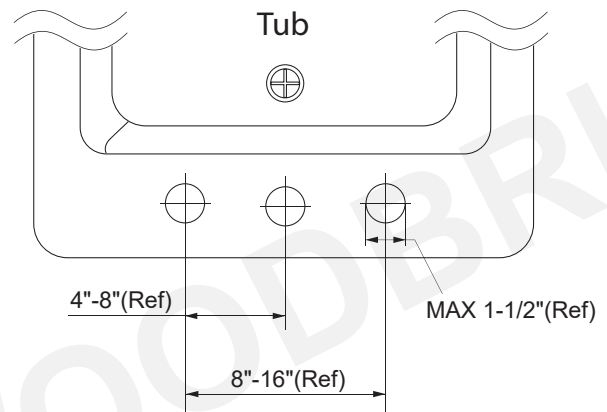
### 5pc Roman Tub Filler

#### Description

- 8" - 16" Roman Tub Filler
- Solid brass spout
- Ceramic disc cartridges

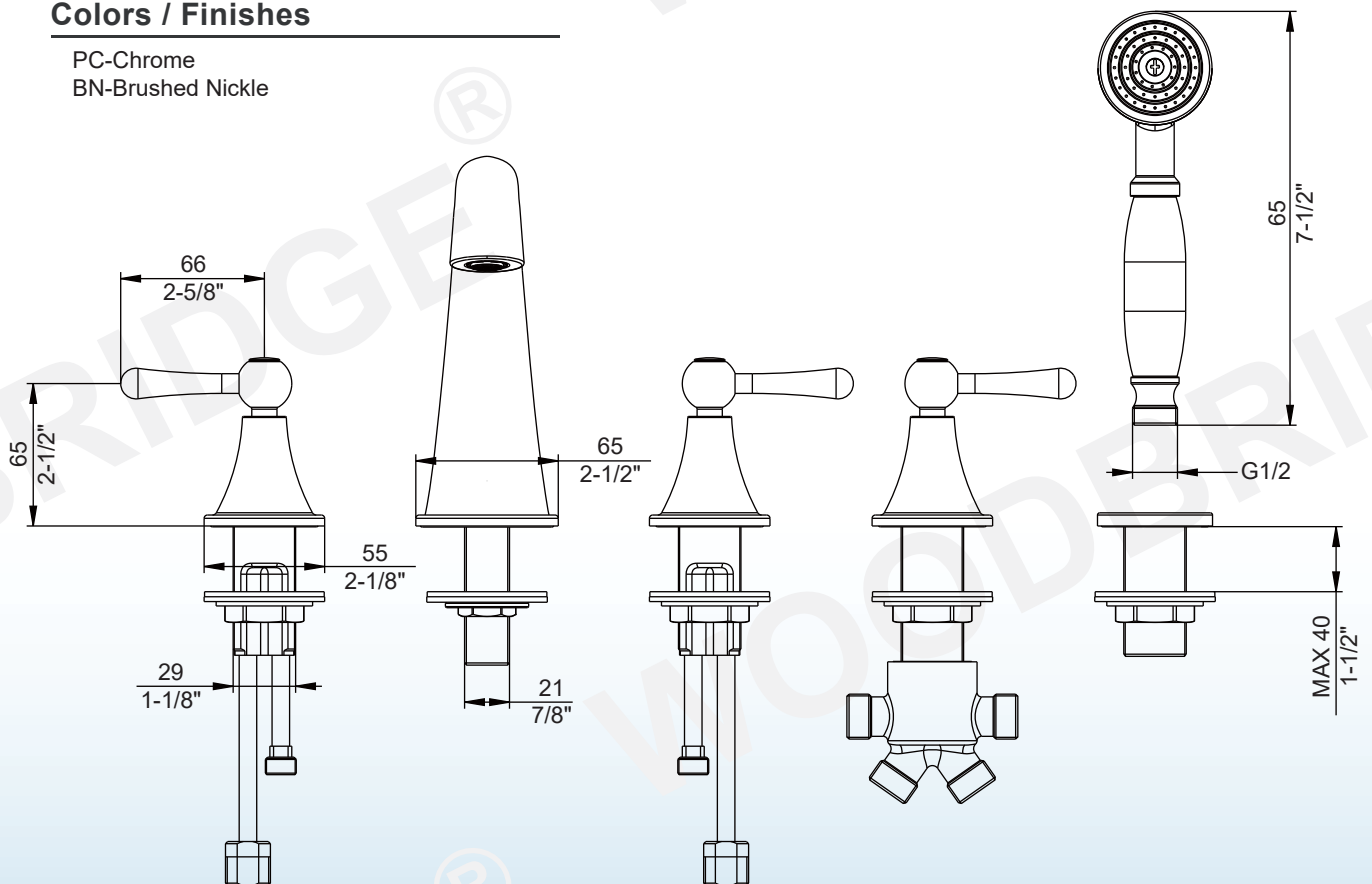
#### Standards

- ASME A112.18.1 compliant
- ADA Accessibility Guidelines for Buildings and Facilities- 4.27.4 Controls and Mechanisms



#### Colors / Finishes

- PC-Chrome
- BN-Brushed Nickel

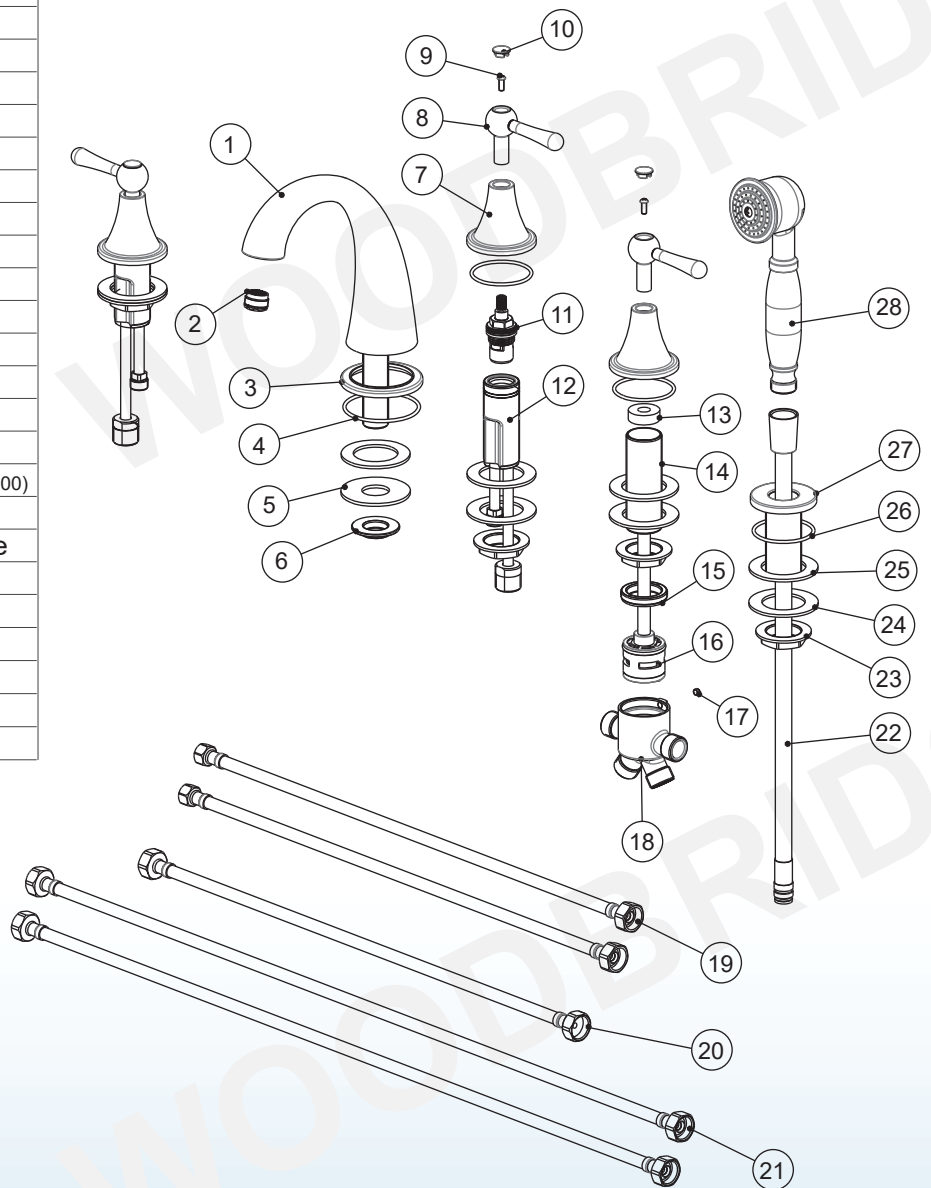


Customer Service Phone: 562-229-0088. (Monday - Friday 9 AM - 5 PM Pacific Time)

Or Email: [help.woodbridge@gmail.com](mailto:help.woodbridge@gmail.com)

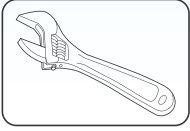
## Break Down

#	Component
1	Body
2	Aerator
3	Base Ring
4	O-Ring
5	Washer
6	Lock Nut
7	Cover
8	Handle
9	Screw
10	Cap
11	Cartridge
12	Valve
13	Plastic Ring
14	Screwed Pipe
15	Press Hat
16	Cartridge
17	Screw
18	Valve
19	Flexible Hose(G1/2-9/16-500)
20	Sprout Flexible Hose(G1/2-500)
21	Flexible Hose(G1/2-750)
22	Handshower Flexible Hose
23	Lock Nut
24	Washer
25	Washer
26	O-Ring
27	Base
28	Spray Head

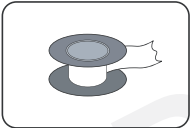


## INSTALLATION PROCEDURES

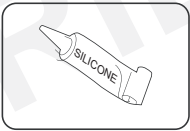
### Tools You Will Need



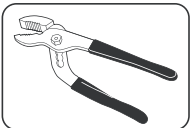
Adjustable Wrench



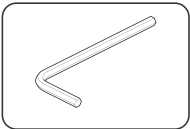
Pipe Tape



Silicone Caulking

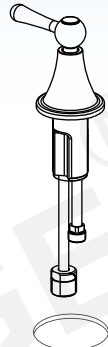


Groove joint plier

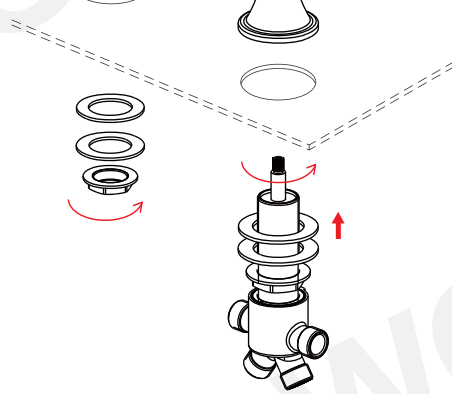
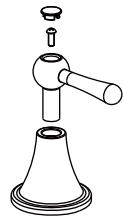


Allen Wrench

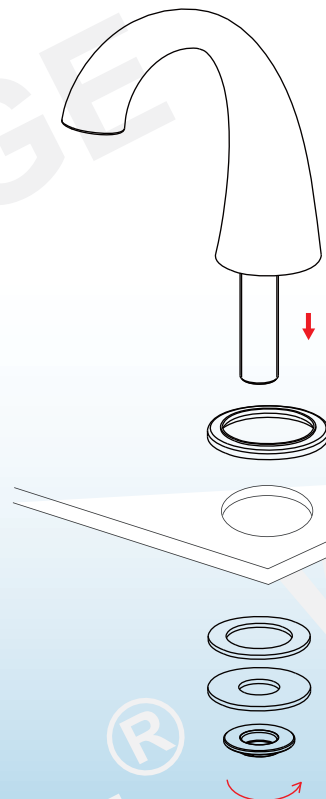
Hot/Cold Valve



Divertor Valve

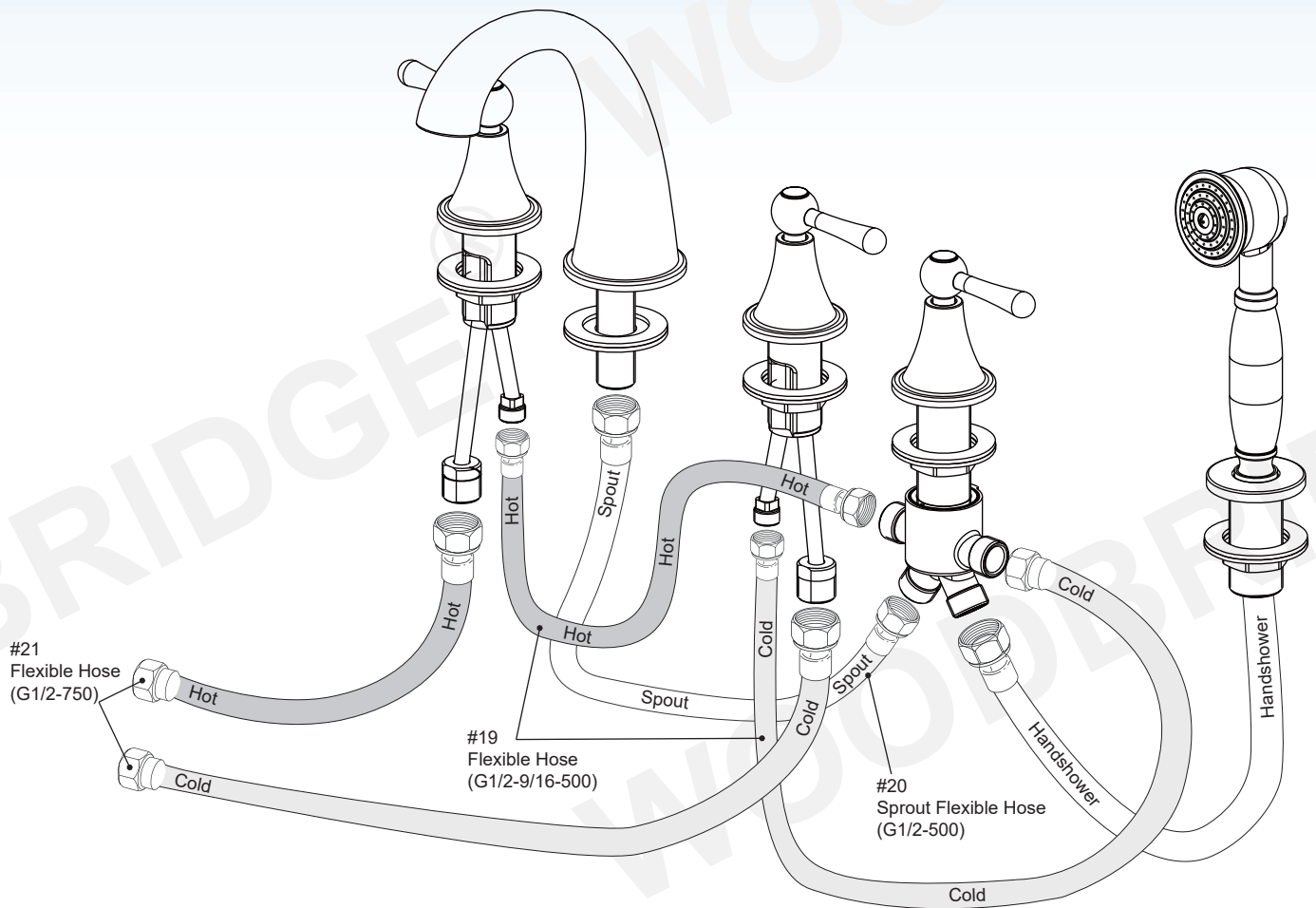


- 1** Begin installing valve and transfer valve assemblies: First make sure that the bottom lock nut and washer are installed on to the valve. Next, from underneath the deck surface slide valve hot side valve assembly up through left hole in counter. Next screw the handle base flange onto the top of the valve. The height of the valve can be adjusted by tightening and loosening the bottom and top lock nuts. When finished installing the divertor valve then installing the hot and cold valve as show in the picture.

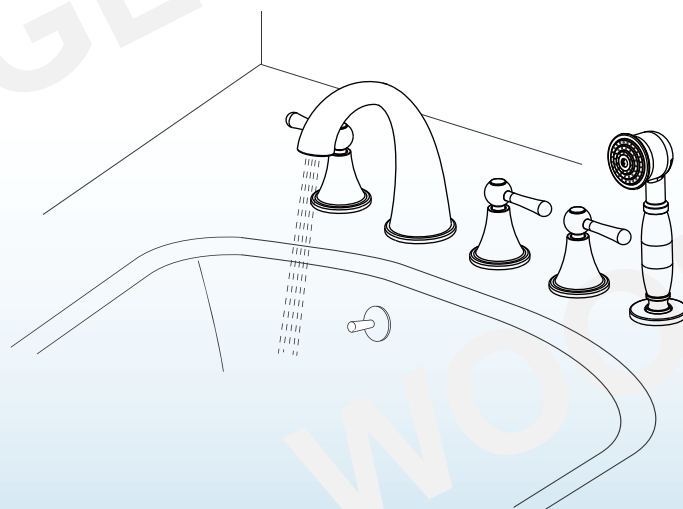


- 2** Install spout. First install the spout shank through the center hole and secure from the bottom with the lock nut and washer. Once the spout shank is installed install the spout onto the quick connect nipple of the spout shank. Ensure the gasket under rim of spout is firmly seated in groove.

## INSTALLATION PROCEDURES



- 3** Connecting supply lines:  
 Finally, connect the braided supply lines to the side outlets of each valve body and then to the connections on the diverter-connector. Tighten all hose connections by hand tightening and then adding an additional half turn with a wrench. Check for leaks and adjust after installation is completed.



- 4** Flush system:  
 Turn main water supply on. Open other faucets around the house to minimize water hammer. Remove the aerator piece from the spout. Turn on both faucet handles and let run for two minutes to clear any debris. Replace aerator. Check for leaks while faucet is running. If you experience and difficulties during installation contact a plumber or call Huntington Brass technical assistance.