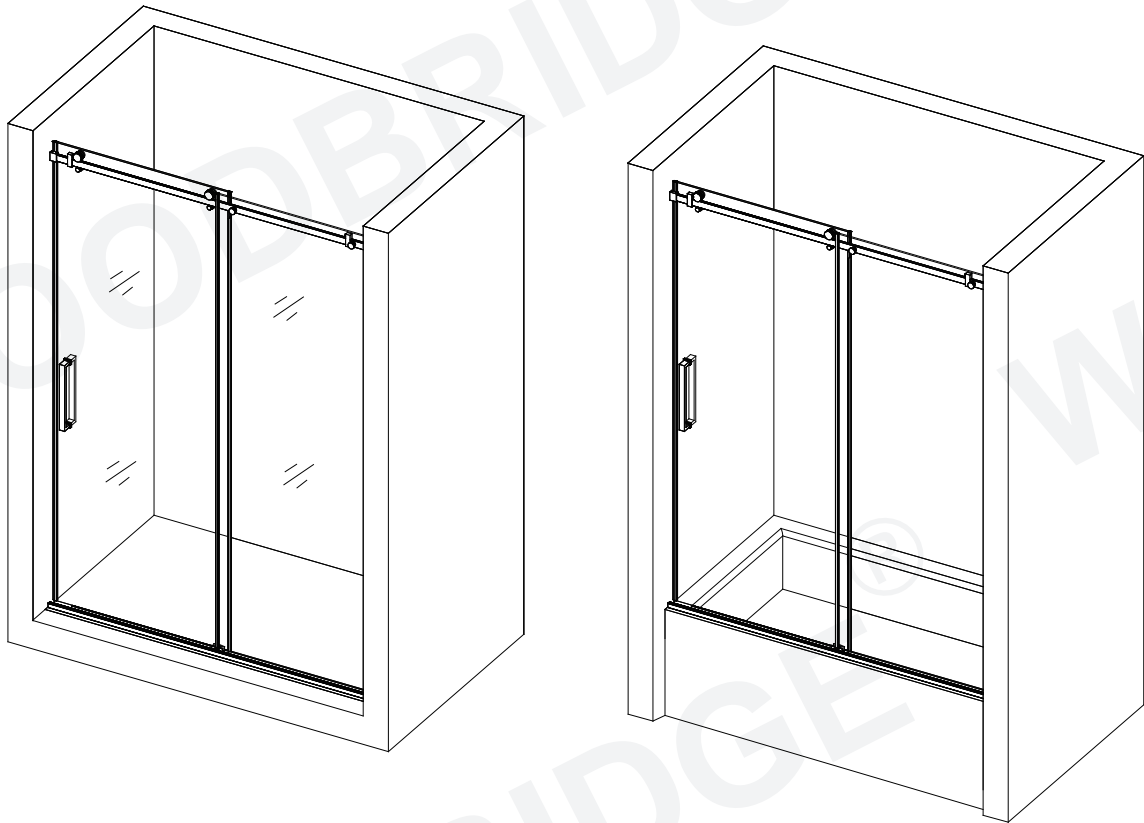


WOODBIDGE[®]



INSTALLATION INSTRUCTIONS

SHOWER DOORS • TUB DOORS

MODELS:

SHOWER DOORS: MSDF4876
MSDF6076

TUB DOORS: MSDF6062

Customer Service Phone: 562-229-0088. (Monday - Friday 9 AM - 5 PM Pacific Time)

Or Email: help@woodbridgebath.com

0119328 REV. 2

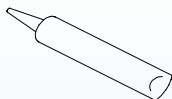
1. WE STRONGLY RECOMMEND THAT A LICENSED AND INSURED PROFESSIONAL CONTRACTOR TO INSTALL THIS PRODUCT INCLUDING THE ASSISTANCE OF A SECOND PERSON DURING INSTALLATION.
2. After opening all boxes and packages, read this introduction carefully. Check that all of the needed parts are included in the package by marking all the components on the "Detailed Diagram of Shower Door Components". Examine boxes and packages for shipping damage. If the unit has been damaged, has a finishing defect, or is missing parts, please contact our customer support department to be served immediately. Please note that Woodbridge will not replace any damaged products or missing parts free of charge after 5 business days or if the product has been installed. Feel free to contact Woodbridge if you have any questions.
VERY IMPORTANT: Please double check the glass corner and four edges of the glass door and fixed panel to make sure that all the glass are in perfect condition and without any breakage. Please do not try to install the shower door, if there is breakage to the glass corner.
3. Please note that you should consult your local building codes with questions on installation compliance standards. Building and plumbing codes may vary by location, and Woodbridge is not responsible for code compliance standards for your project and will not accept any returns.
4. Prior to installation, ensure that the installation surface is leveled and solid and will be able to support the total weight of the unit. Also, make sure the walls are at the right angles. Irregular installation surface level or improper angle of side walls will result in serious problems during installation. Please, note that some adjustments and drilling might be necessary during the installation process.
5. **NOTE!** This door does not have out-of-plumb adjustment. Make sure your walls are at right angles.
6. This door requires a minimum 2 3/4" wide threshold, base or installation space. Please note that Step 6 calls for installation of the door to the wall using anchors. However, the manufacturer strongly recommends installing these heavy doors to the studs or to preinstalled 2" x 4" wood reinforcements behind the wall and attach the Wall brackets to it.

ATTENTION: THIS DOOR IS EXTREMELY HEAVY AND REQUIRES PROFESSIONAL INSTALLATION. INSTRUCTIONS ARE GIVEN FOR THE SHOWER DOOR INSTALLATION. PLEASE, FOLLOW THE SAME INSTRUCTIONS TO INSTALL THE TUB DOOR. INSTRUCTIONS THAT, IF IGNORED, COULD RESULT IN DEATH OR SERIOUS PERSONAL INJURY CAUSED BY INCORRECT HANDLING OR INSTALLATION OF THE PRODUCT. THESE INSTRUCTIONS MUST BE OBSERVED FOR SAFE INSTALLATION.

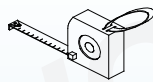
TOOLS REQUIRED



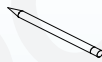
Soft Cloth
or Blanket



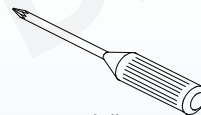
Caulk



Tape
Measure



Pencil



Phillips
Screwdriver



Drill Bit
(Ø=5/16")



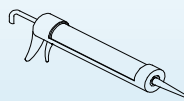
Drill Bit
(Ø=3/8")



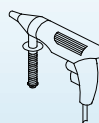
Safety Glass



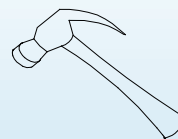
Level



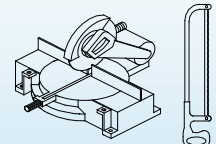
Caulk Gun



Drill

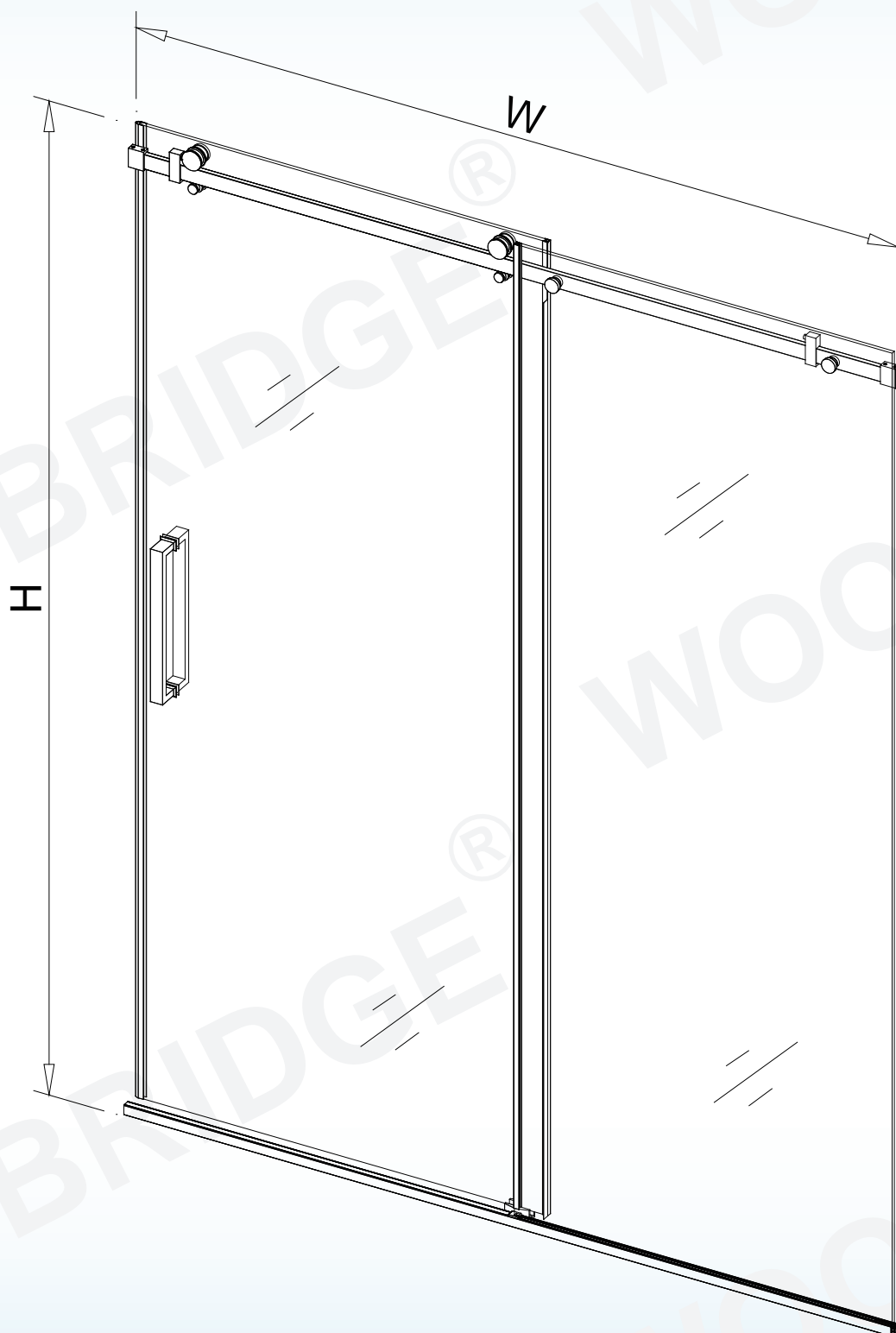


Hammer

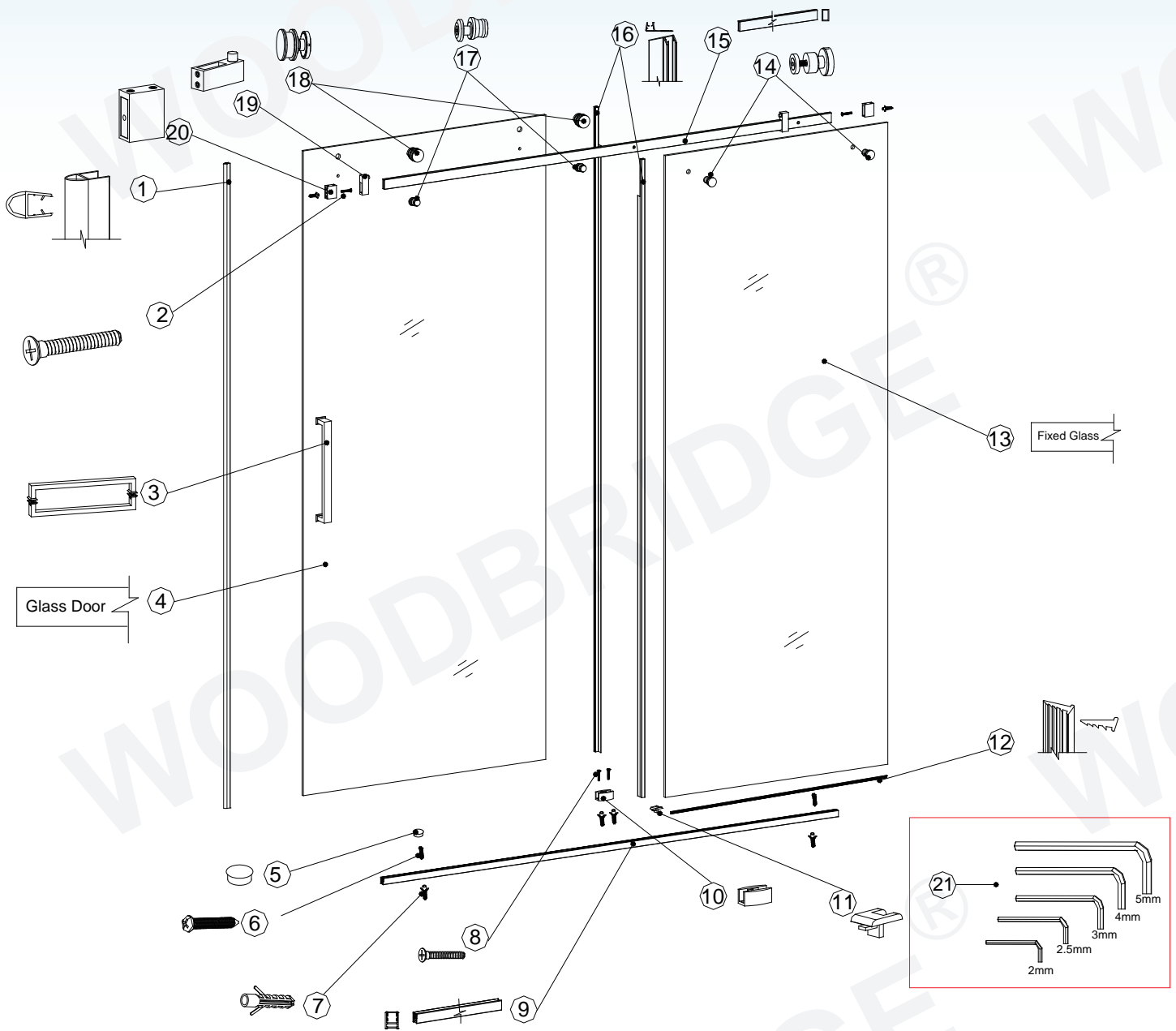


Mitter Saw
or Hacksaw

OTHER TOOLS MAY BE REQUIRED



Threshold Requirement (Size): 2 1/4"



No.	Description	QTY	No.	Description	QTY
1	Bumper Strip	1 pcs	12	Side PVC Strip	1 pc
2	Screw M5X60	2 pcs	13	Fixed Glass	1 pc
3	Handle	1 pc	14	Glass Bracket	2 pcs
4	Glass Door	1 pc	15	Upper Guide Rail	1 pc
5	Screw cover	1 pc	16	Side Anti-water Strip	2 pcs
6	Round Head Screw M4X30	2 pcs	17	Safety Pin	2 pcs
7	Wall Anchor	6 pcs	18	Roller	2 pcs
8	Screw M5X30	2 pcs	19	Glass Door Stopper	2 pcs
9	Anti-splash Aluminum Threshold	1 pc	20	Guide Rail Bracket	2 pcs
10	Guide Block	1 pc	21	Allen Key	5 pcs
11	Glass Holder	1 pc	22		

1. Your **Upper Guide Rail (15)** and **Anti-Splash Aluminum Threshold (9)** have been pre-cut for your shower model opening width: 48" or 60". If W-width of your wall to wall opening is equal to the size of your shower model, it is not necessary to cut the guide rail and threshold and you can continue to step 2.

If W width of your wall to wall opening is less than the size of your shower model, you will need to cut the guide rail (from the the end which is farther from the **Glass Bracket (14)** and the threshold (from the end w/o the groove). The end to cut off will be L:

$L = \text{Shower Model Size} - W$

See **Figure 1 and 2** for details.

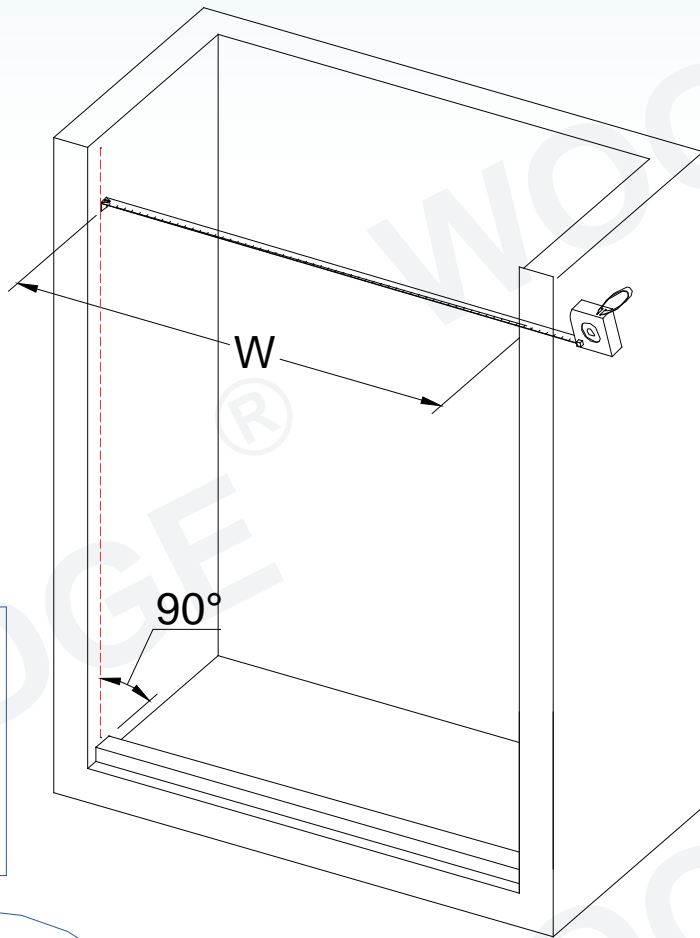
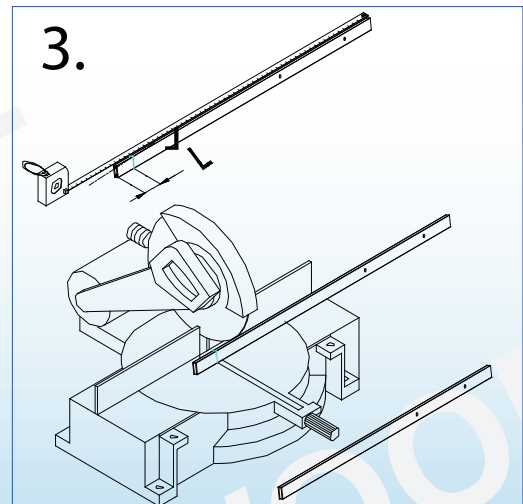
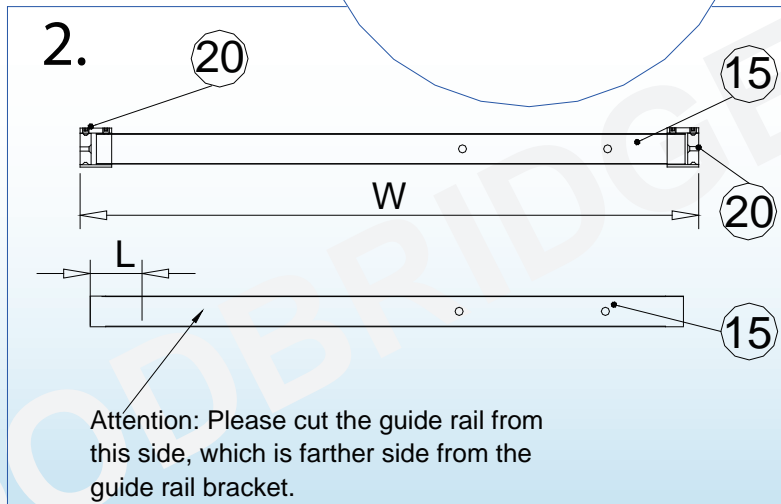
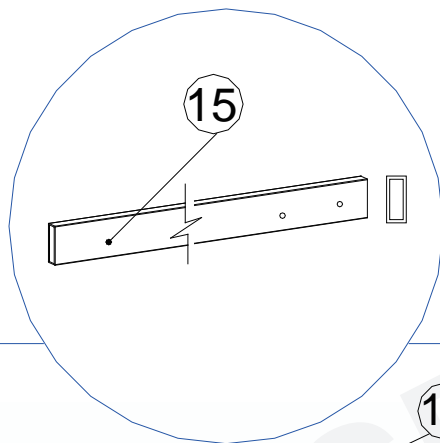
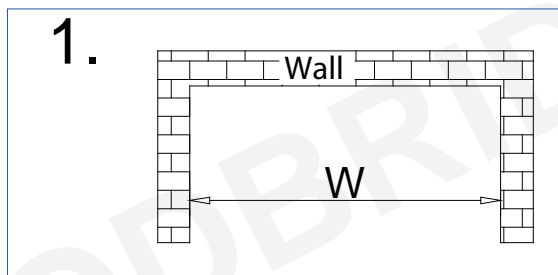


Figure 1



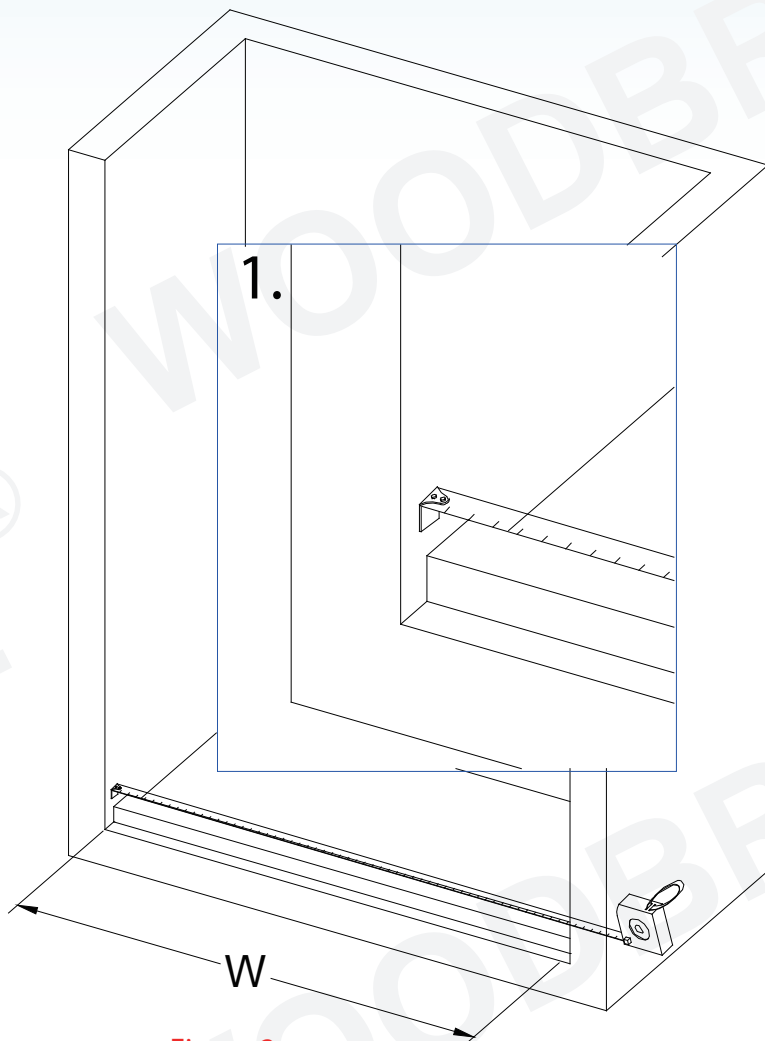
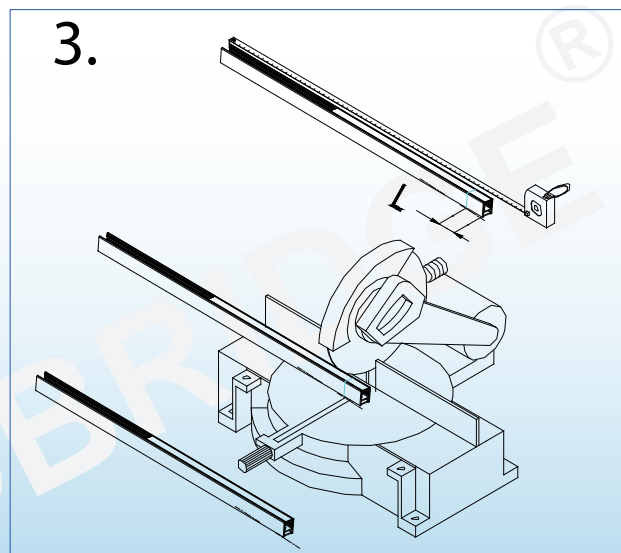
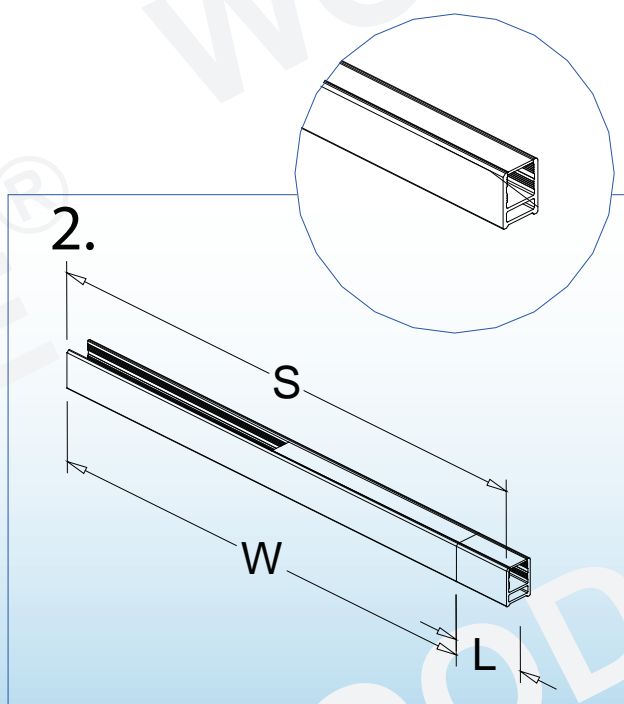


Figure 2



2. Place the **Anti-Splash Aluminum Threshold (9)** to the shower tray or shower base. Using a level to adjust the threshold horizontal, make sure the threshold level.

See **Figure 3** for details.

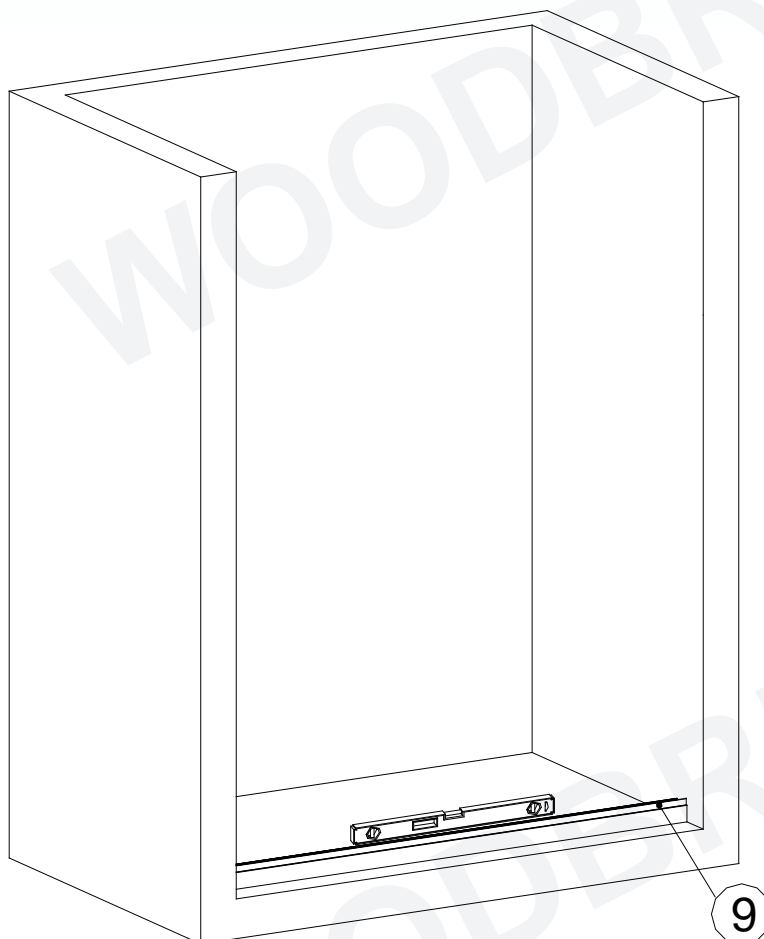
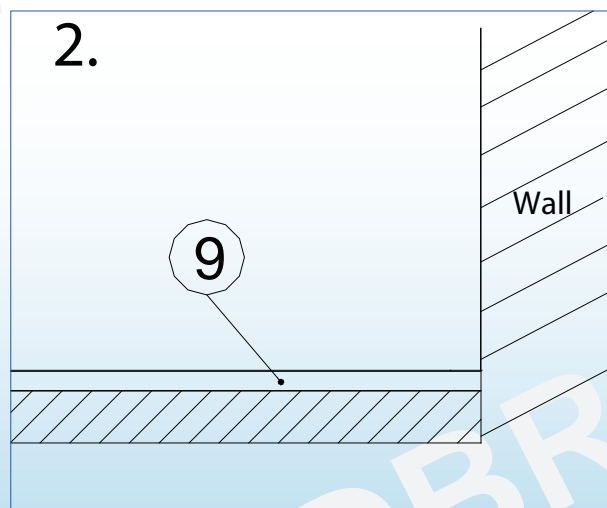
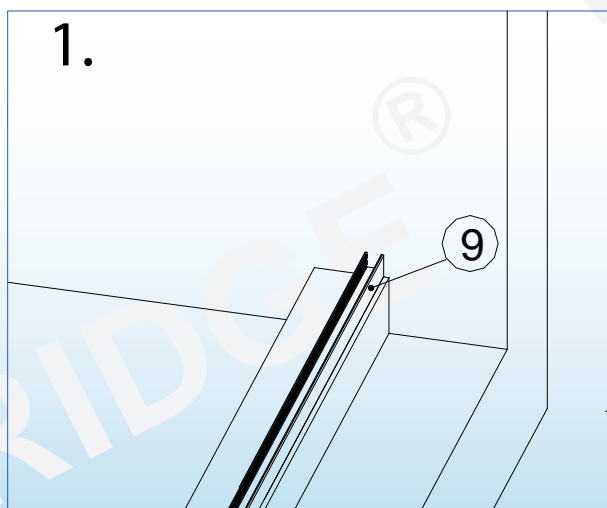


Figure 3



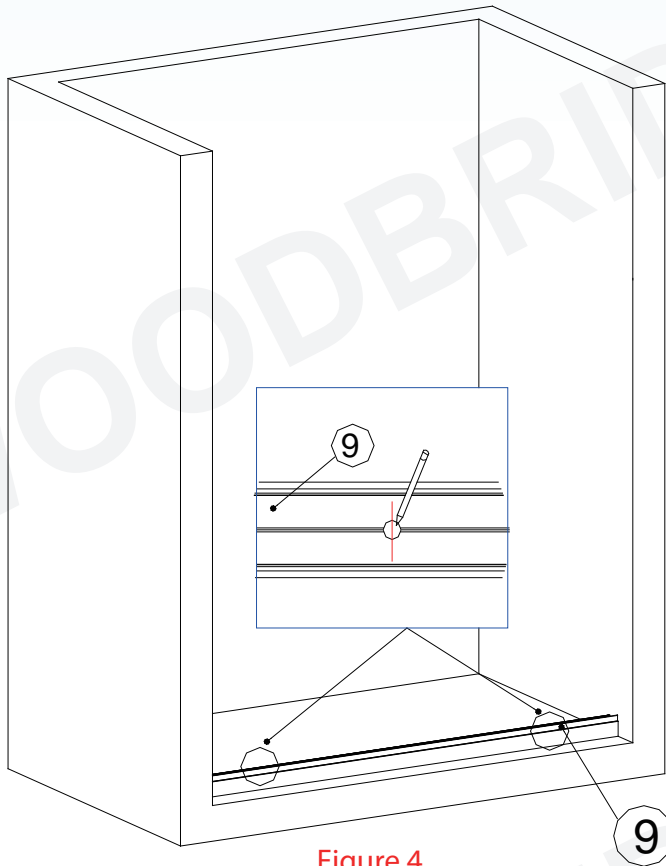
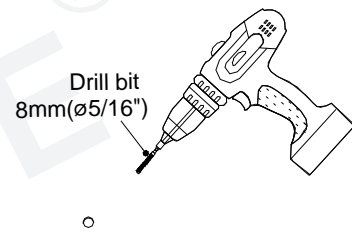


Figure 4

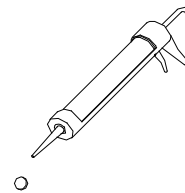
3. Make the marks through the **Anti-Splash Aluminum Threshold (9)** for drilling. Now drill the holes with drill bit $\Phi 8\text{mm}(\text{Ø}5/16\text{'})$, and Apply silicone into the holes on the wall. Insert the **Wall Anchor (7)**.

See **Figure 4** for details.

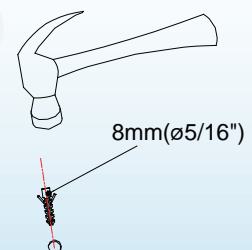
1.



2.



3.



4. Apply silicone from top to bottom along the back edge (edge facing the shower base) of **Anti-splash Aluminum Threshold (9)**. Fasten the threshold to the shower base or shower tray with **Round Head Screw M4X30 (6)**. Put the **Screw Cover (5)** to cover the screw in the threshold. Put the Glass Bracket to Anti-splash Aluminum Threshold.

See **Figure 5** for details.

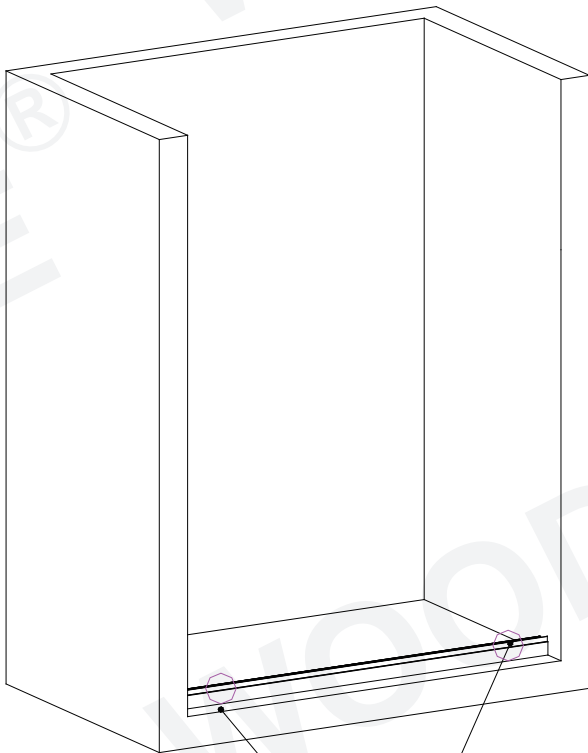
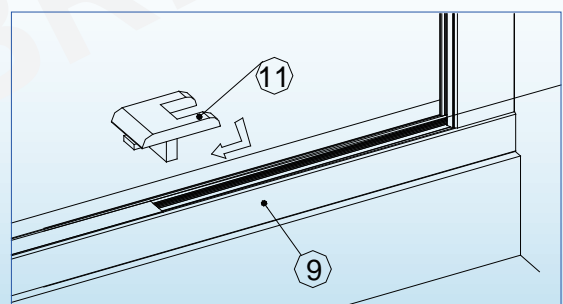
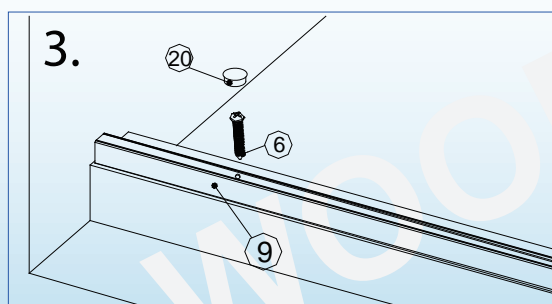
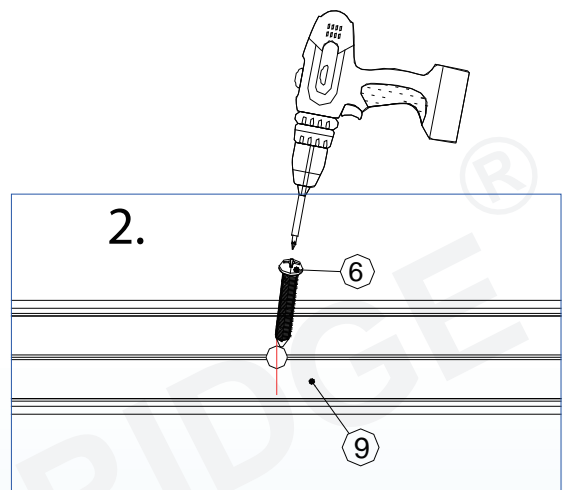
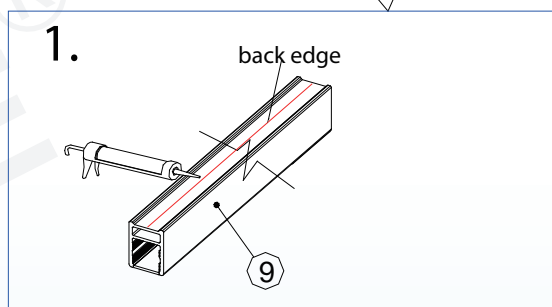


Figure 5



5. Use the **allen key (21)** to loose the screw on the **guide rail bracket (20)** and **glass door stopper (19)**. Slide the stopper and then the bracket to the **guide rail (15)**.

See **Figure 6** for details.

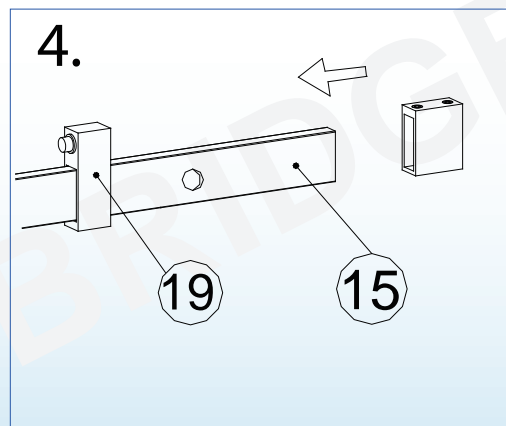
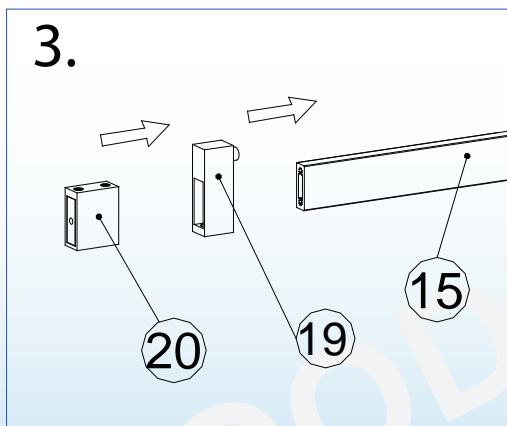
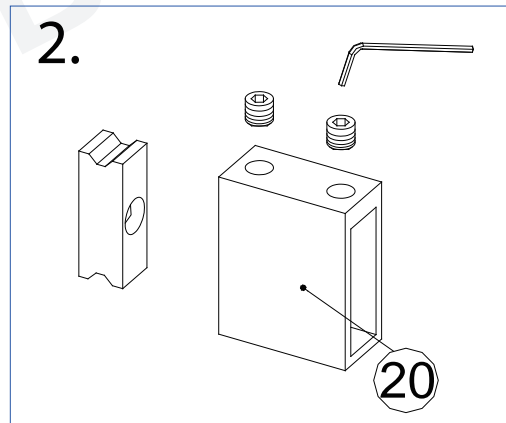
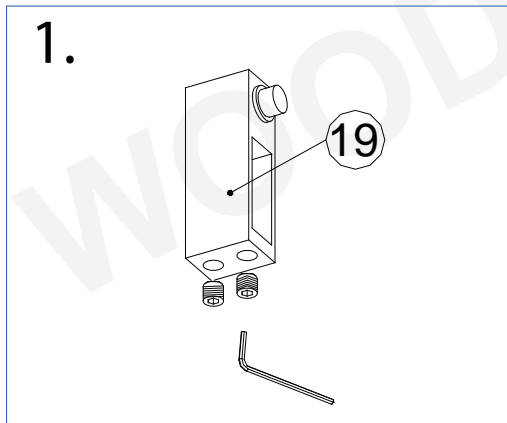
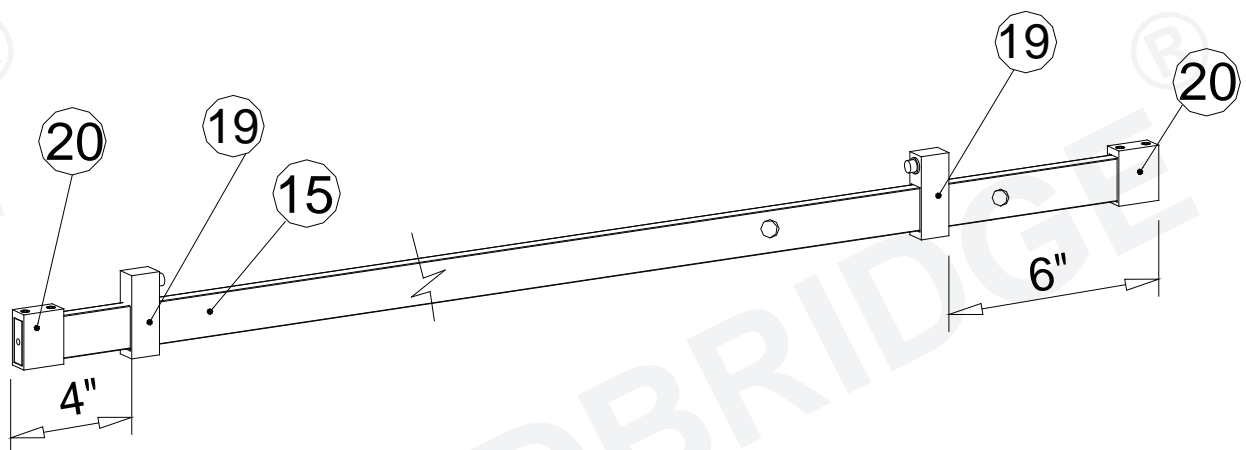


Figure 6

6. Loosen the screw of the **Glass Bracket (14)** and then align the screw hole of the glass bracket with the hole of the **Fixed Glass (13)**, fasten the fixed glass with to **Guide Rail (15)**.

See **Figure 7** for details.

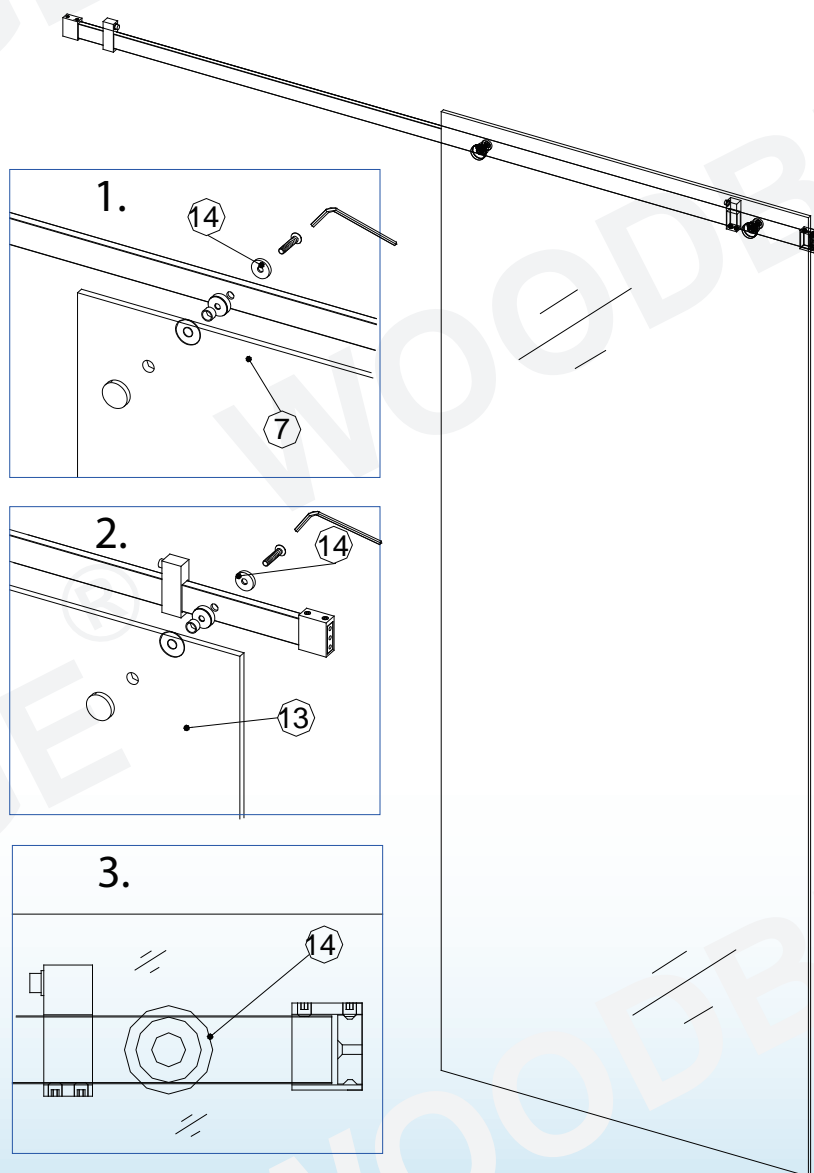
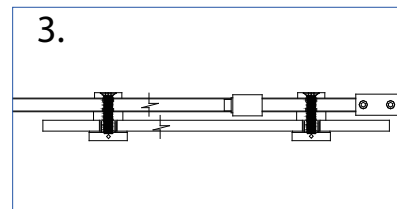
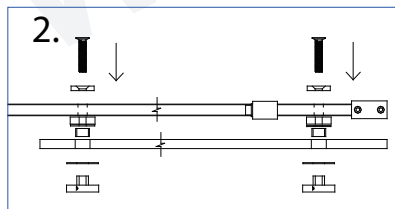
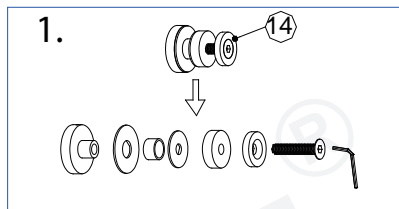


Figure 7

7. Put the Fixed Glass Assembly with the **Guide Rail (15)** into the slot of the **Anti-Splash Aluminum Threshold (9)**.

See **Figure 8** for details.

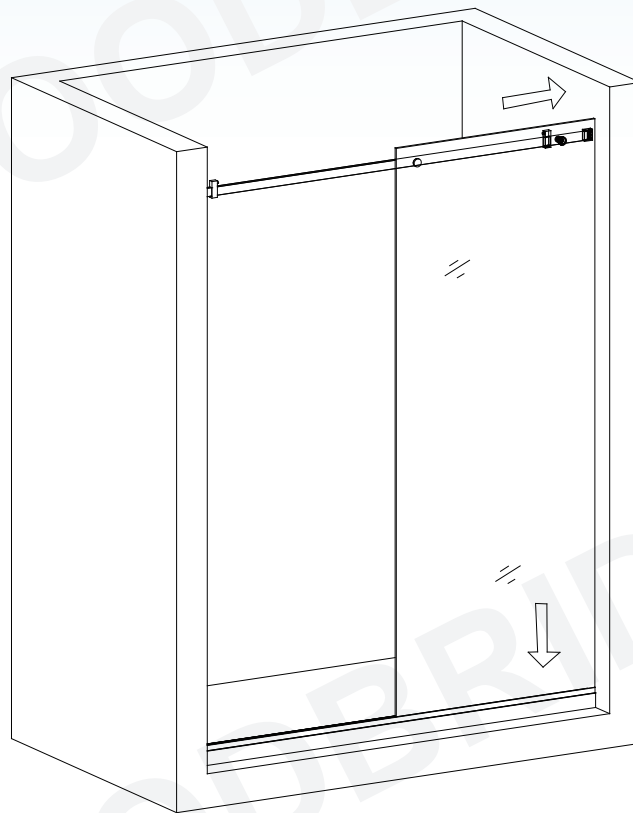
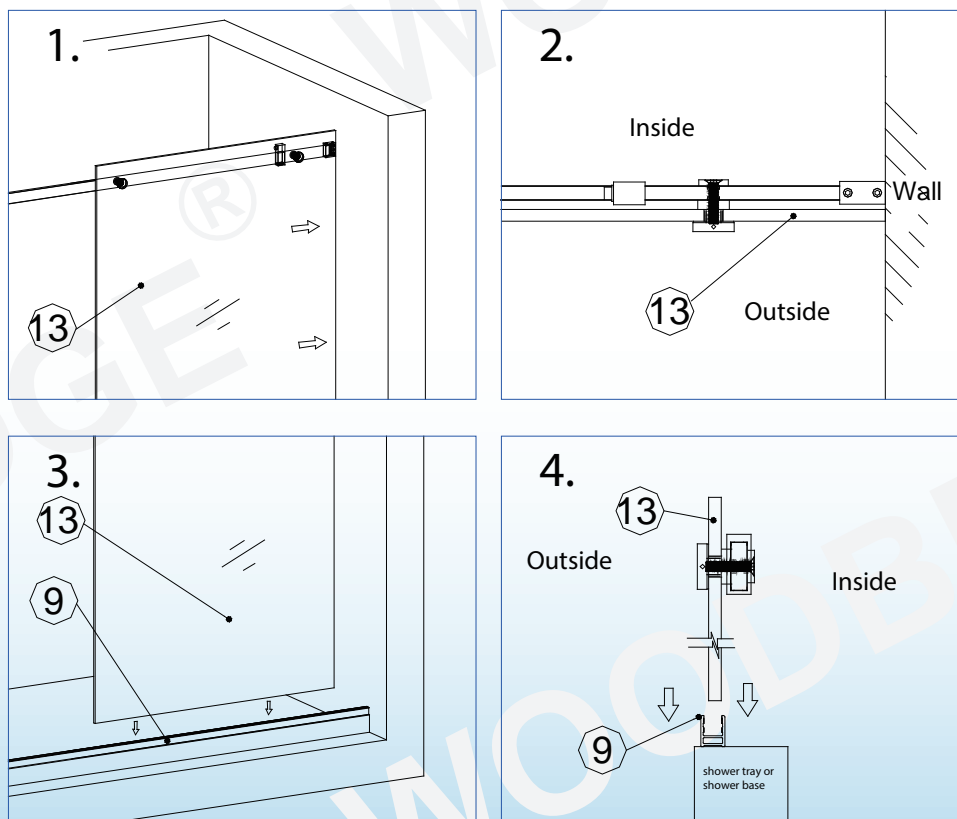
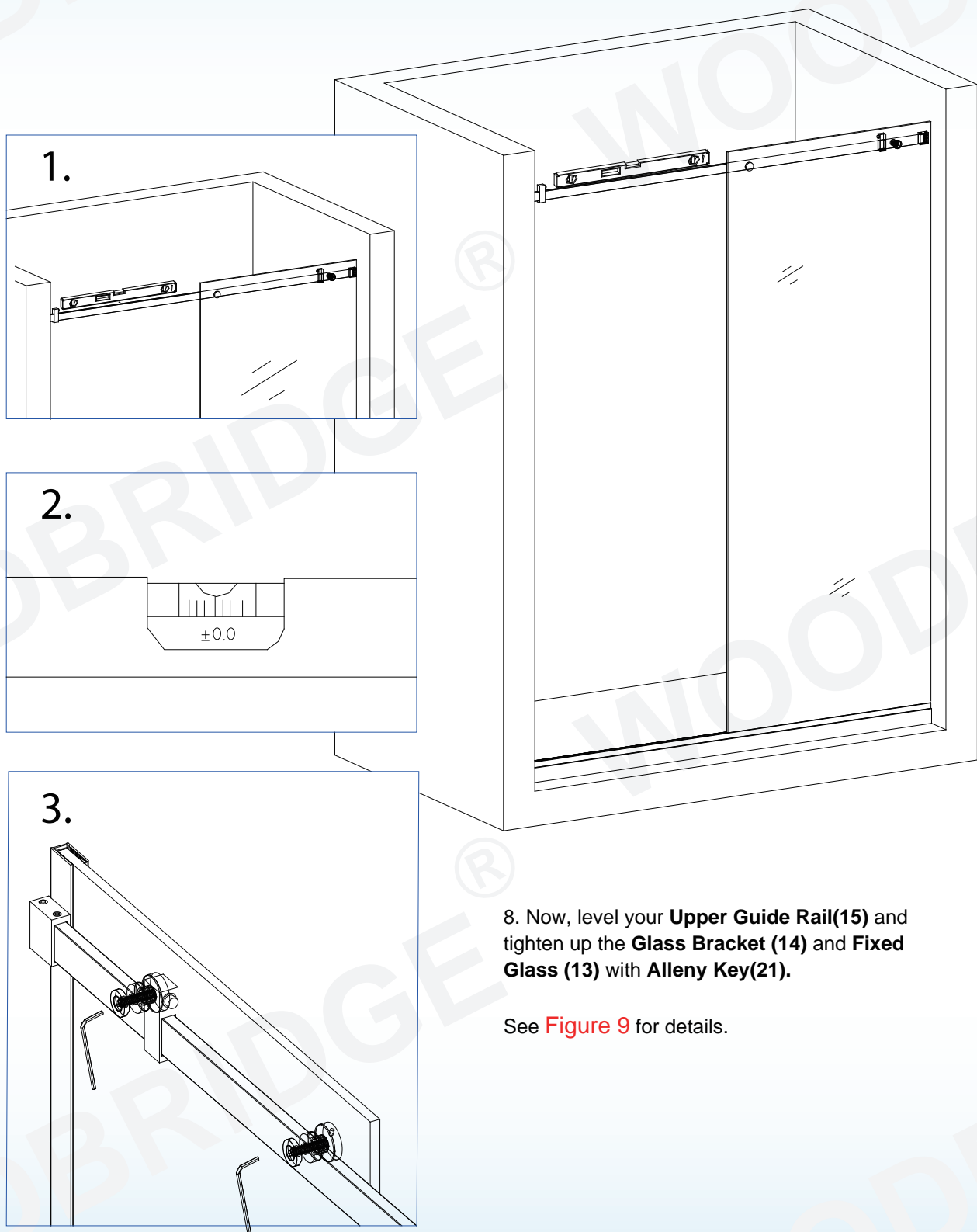


Figure 8

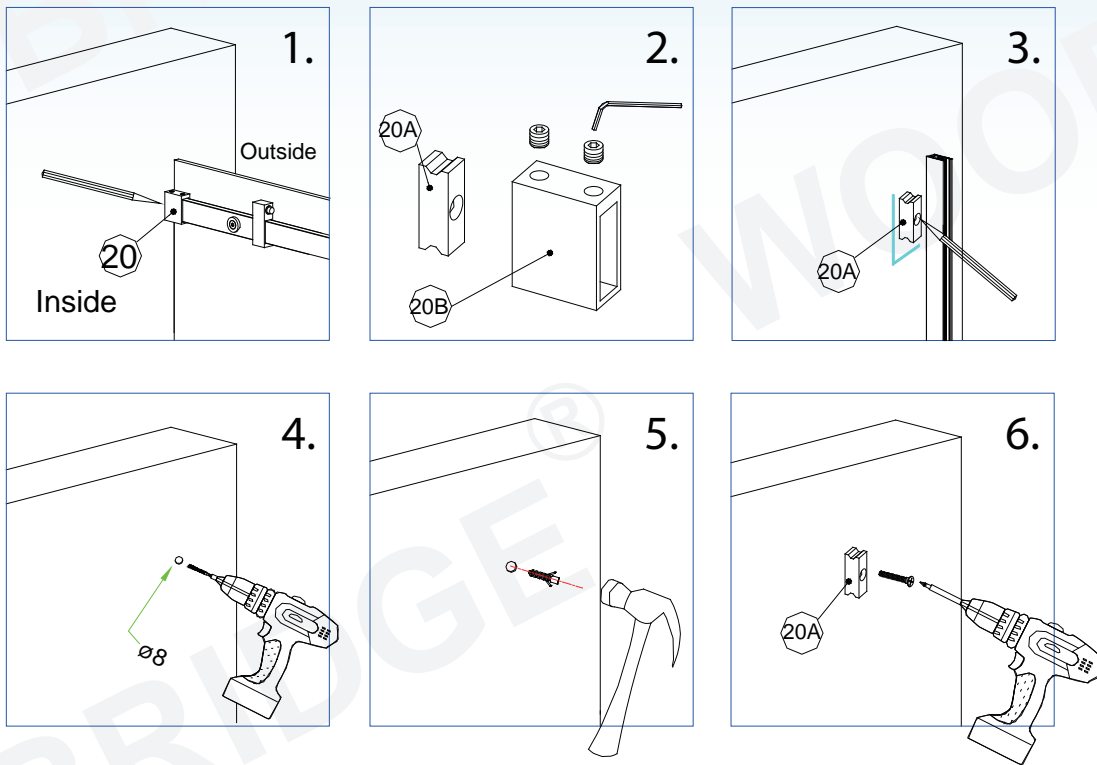




8. Now, level your **Upper Guide Rail(15)** and tighten up the **Glass Bracket (14)** and **Fixed Glass (13)** with **Allen Key(21)**.

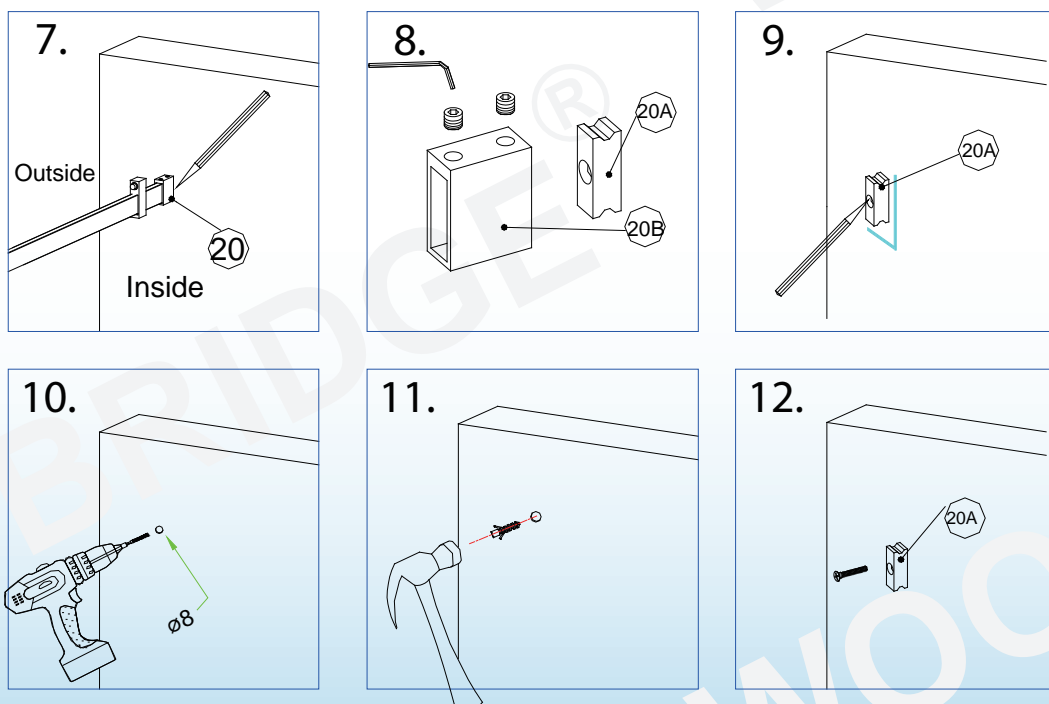
See **Figure 9** for details.

Figure 9



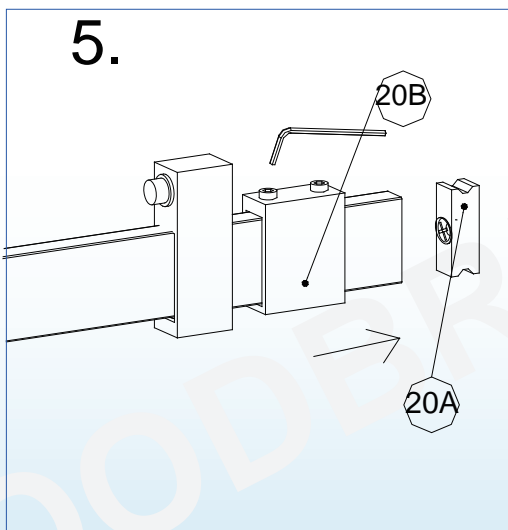
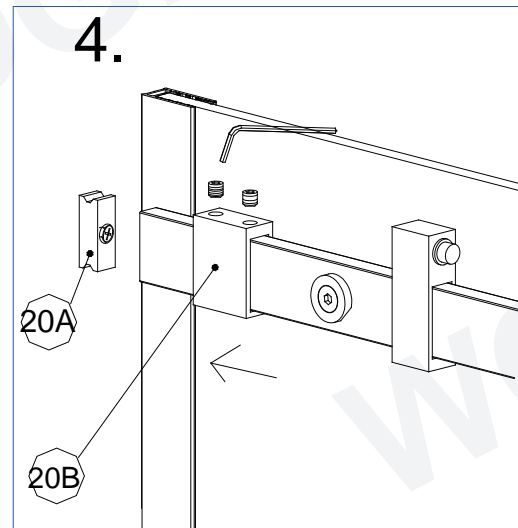
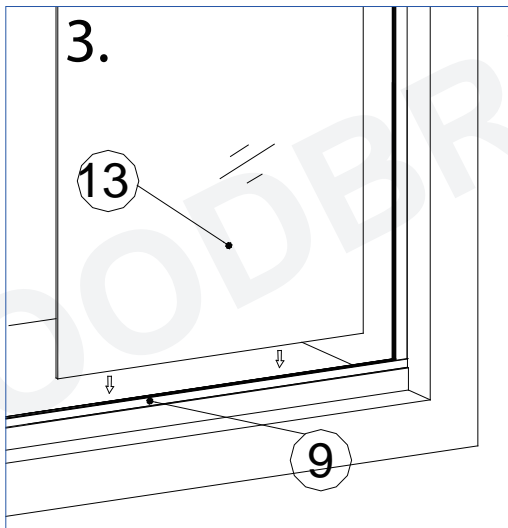
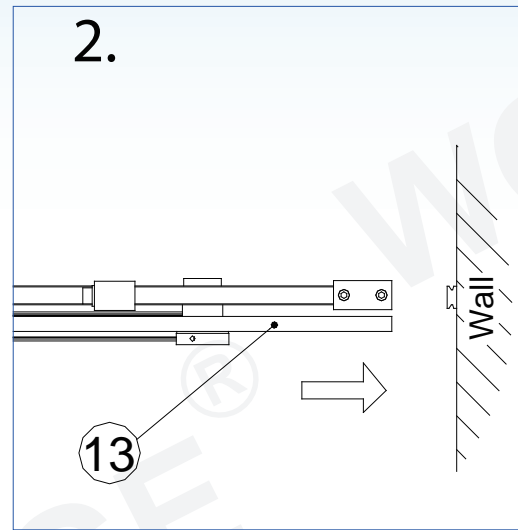
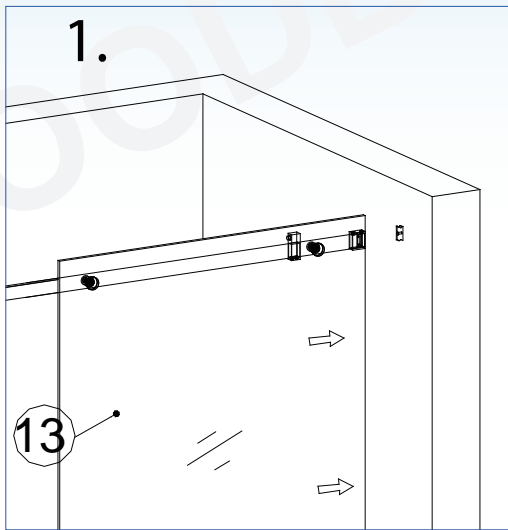
9. Align the **Upper Guide Rail (15)** and make it horizontal, and then slide the **Guide Rail Bracket (20)** to attach to the wall. Outline the position of the guide rail bracket on the wall. Put the fixed glass assy away and remove the guide rail bracket from the upper guide rail by loosening the screw on it, and then place the **Wall Bracket (20A)** of the guide rail bracket on the outlined position and mark down the holes for drilling. Now drill the holes with drill bit $\Phi 8\text{mm}(5/16\text{'})$ and insert the **Wall Anchor (7)** and then fasten wall bracket to the wall with **Round Head Screw M5X60 (2)**.

See **Figure 10** for details.



Follow Fig 10 to assemble other side

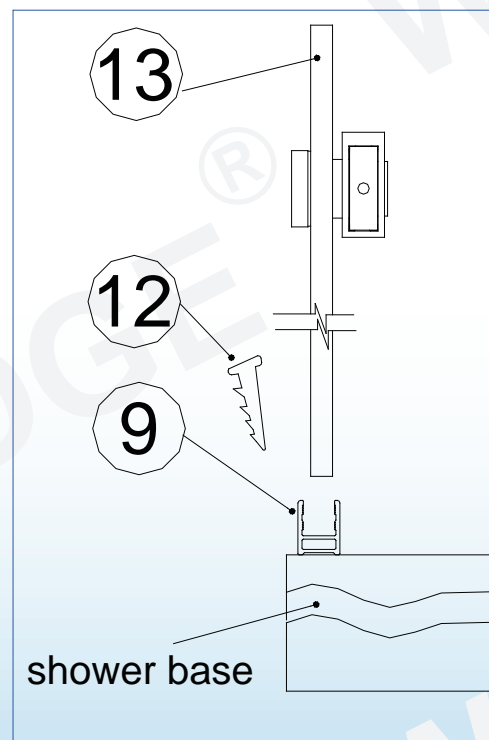
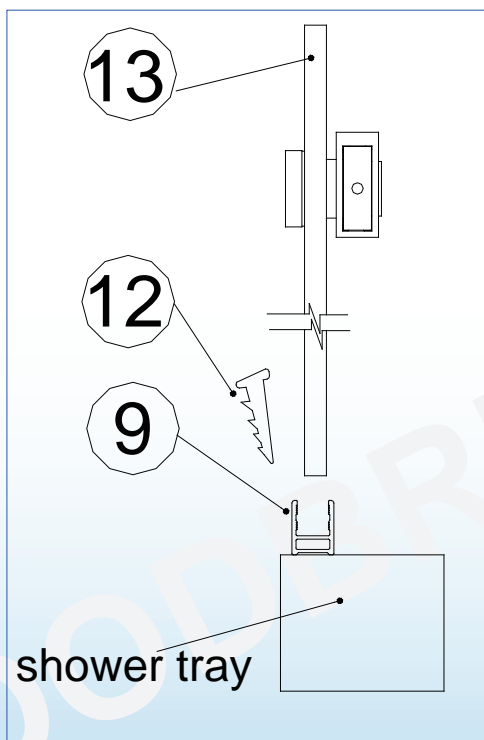
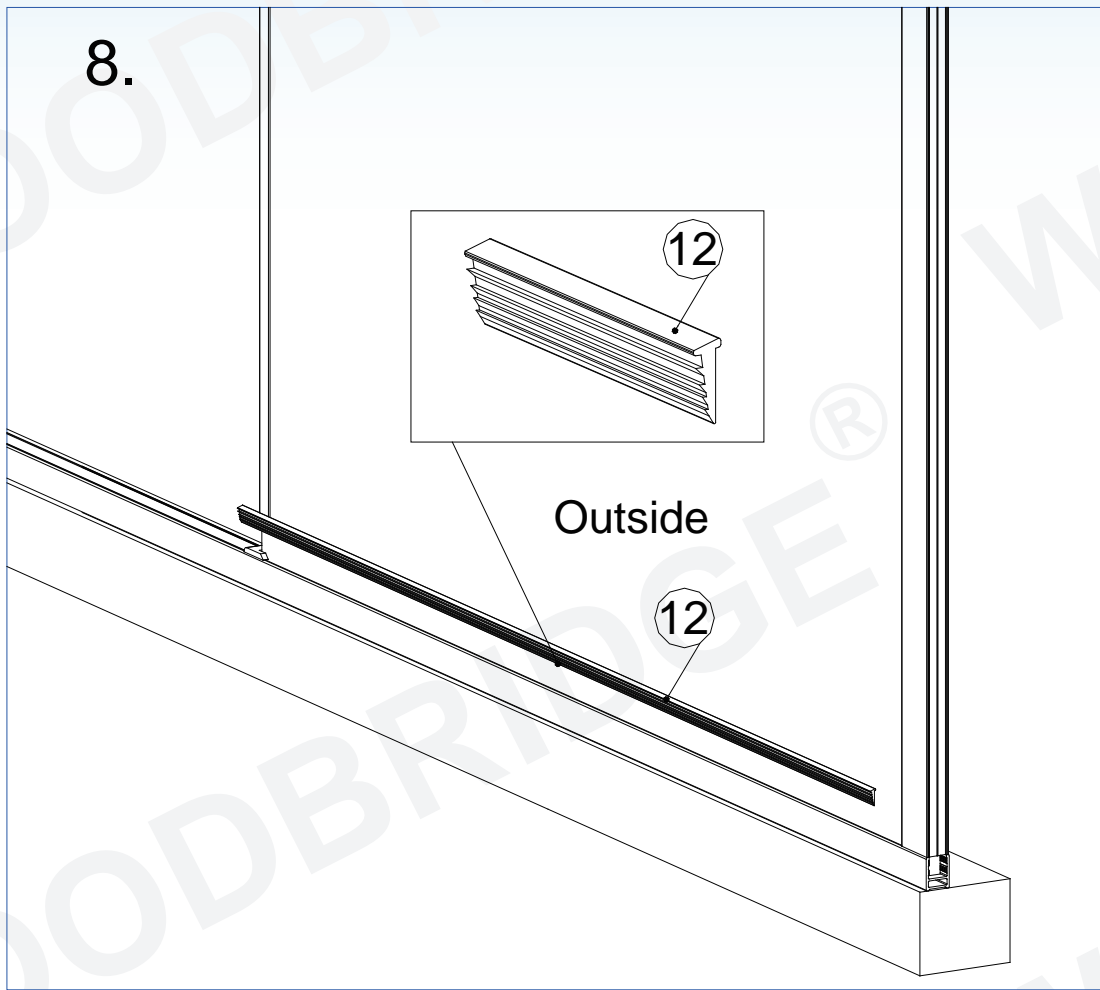
Figure 10



10. Put the Fixed Glass Assembly into the **Anti-Splash Aluminum Threshold (9)** again, now slide the guide rail brackets toward the wall and push it against the wall. Use **Allen Key (21)** to tighten up the screws of the brackets. Slide the **Side PVC Strip(12)** into the slot of the threshold, between the **Fixed Glass (13)** and the threshold.

See **Figure 11** for details.

Figure 11



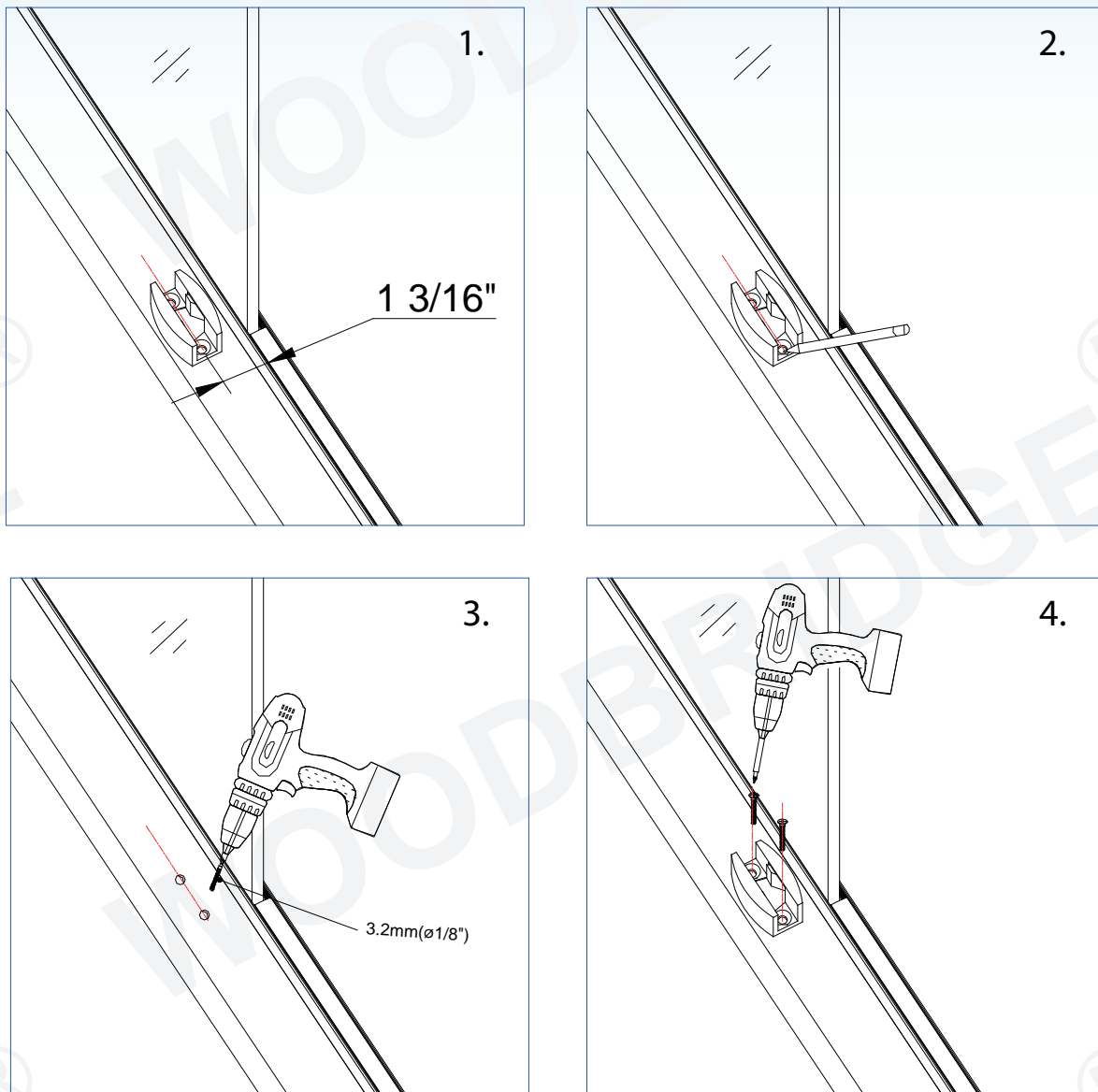


Figure 12

11. Place the **Guide Block (10)** on the shower base or shower tray and parallel it to the **Fixed Glass (13)**. It should not pass beyond the vertical edge of the glass. Take a measurement to ensure the distance between the front line of the glass and the center line of the Guide block is 1 3/16". Hold the guide block firmly and mark down the drilling hole on the shower base or shower tray. Remove the Guide block, now drill the hole using Ø 5/16" drill bit, insert the **Wall Anchor (7)** in and then fasten the Guide block to the shower base or shower tray with the **Countersunk Screw M5X30 (8)**.

See **Figure 11** for details.

12. Slide the **Side Anti-water Strip (16)** to the **Fixed Glass (13)**, remove the flapper that interferes with the **Guide Rail (15)**.

See **Figure 13** for details.

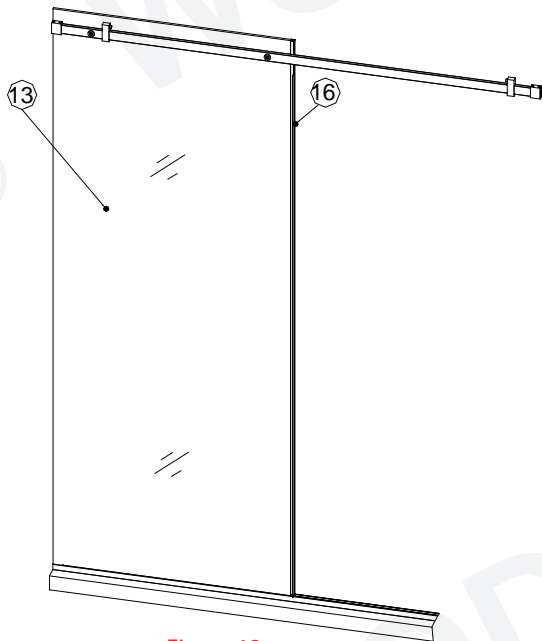
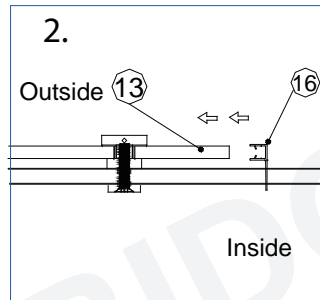
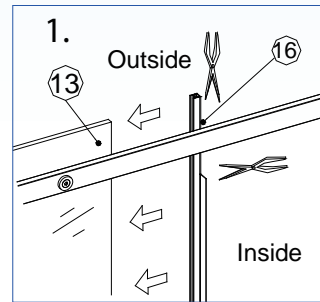


Figure 13



13. Install the **Handle (3)** and **Rollers (18)** to the **Glass Door (4)**, place **Anti-Water Strip (16)** and **Bumper Strip (1)** to the glass door as well. Remember to remove the flapper that interferes with the **Guide Rail (15)**.

See **Figure 14** for details.

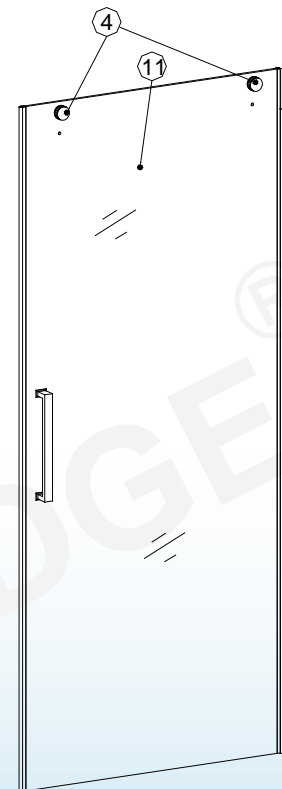
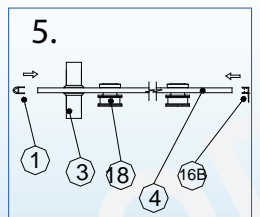
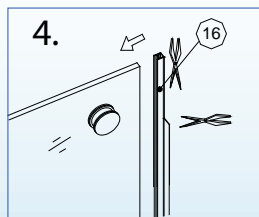
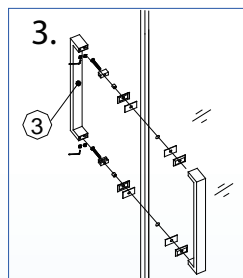
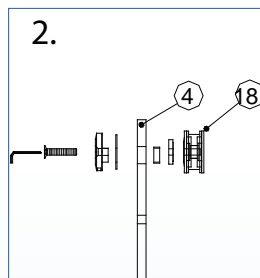
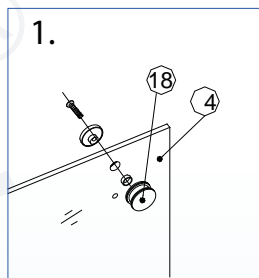
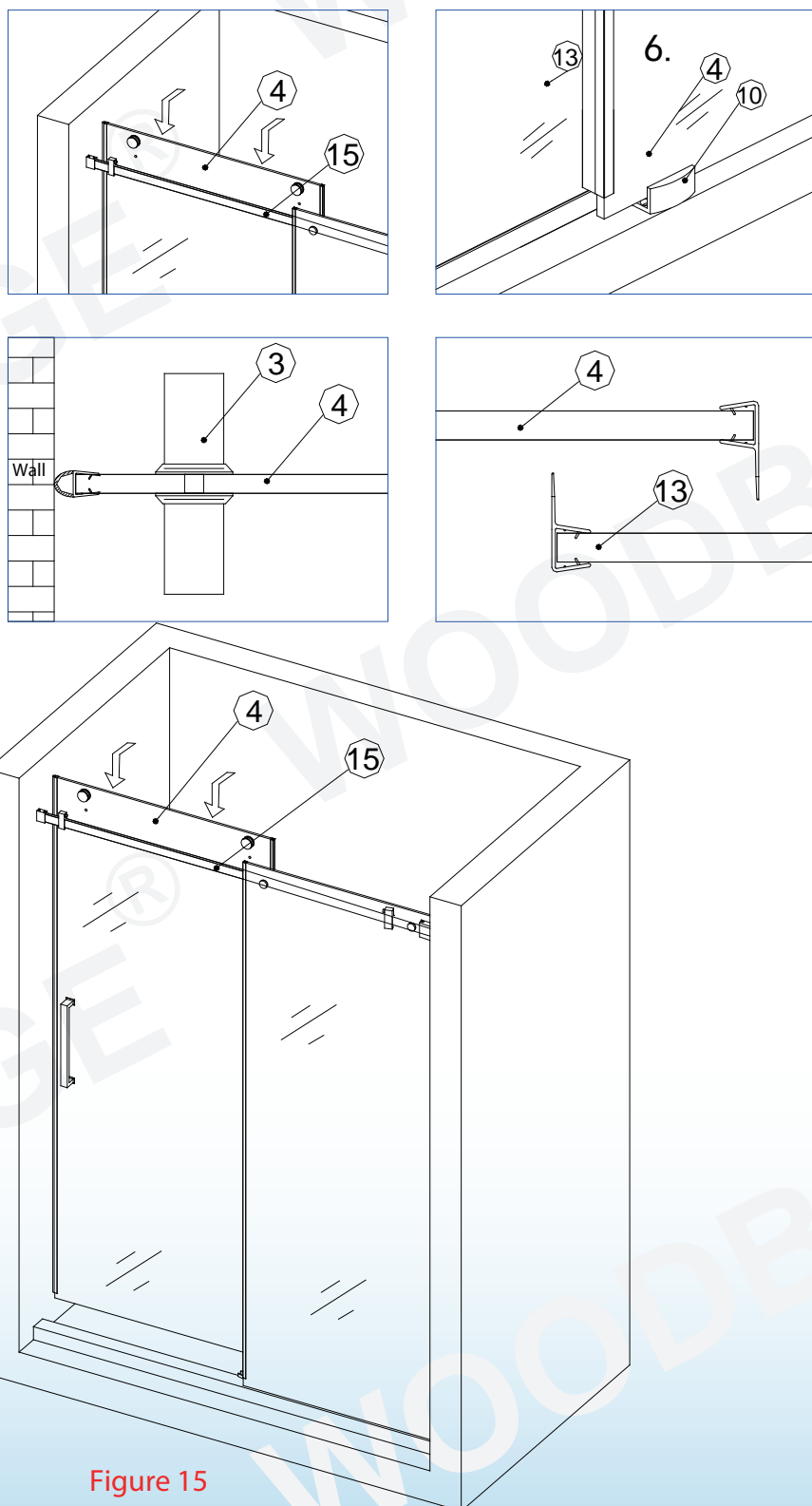


Figure 14

14. Hang the Glass Door Assembly to the **Guide Rail (15)**, make sure that the **Rollers (18)** are against the guide rail, now adjust the **Glass Door (4)** and slide the bottom edge of the glass door into the groove of the **Guide Block (10)**.

See **Figure 15** for details.



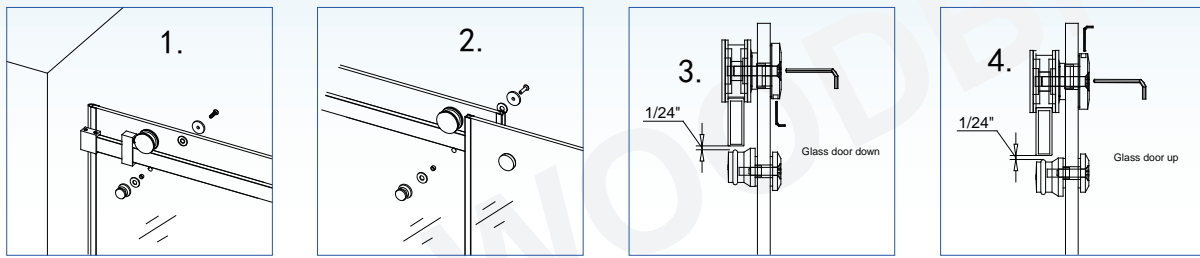


Figure 16

15. Install the **Safety Pin (17)** to the **Glass Door (4)**. The roller is off-centre, adjust the roller to make the glass door move higher or lower and make sure that the glass door will not rub against the **Guide Block (10)** and ensure the bumper strip to push against the wall.

See **Figure 16** for details.

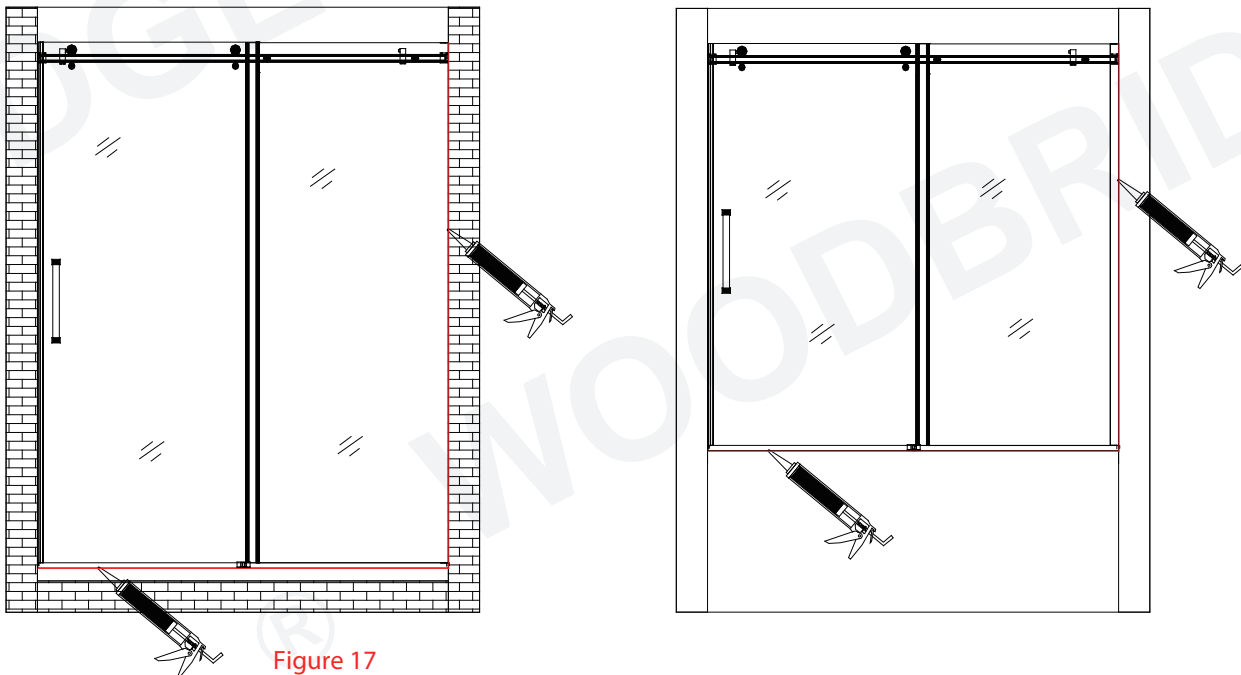


Figure 17

16. Apply clear silicone sealant between the threshold and shower tray or shower base. Also, apply silicone between the wall and the fixed glass.
WAIT 24 HOURS BEFORE USING THE SHOWER ENCLOSURE

See **Figure 17** for details.

TUB DOORS **INSTALLATION** the same as SHOWER DOORS

MUST ALLOW SILICONE TO DRY FOR 24 HOURS BEFORE STARTING USING THE SHOWER

Thank you for using WoodBridge products!

Please don't hesitate to contact us if you have any questions or concerns.

Customer Service Phone: 562-229-0088. (Monday - Friday 9 AM - 5 PM Pacific Time)

Or Email: help@woodbridgebath.com



SCAN ME

