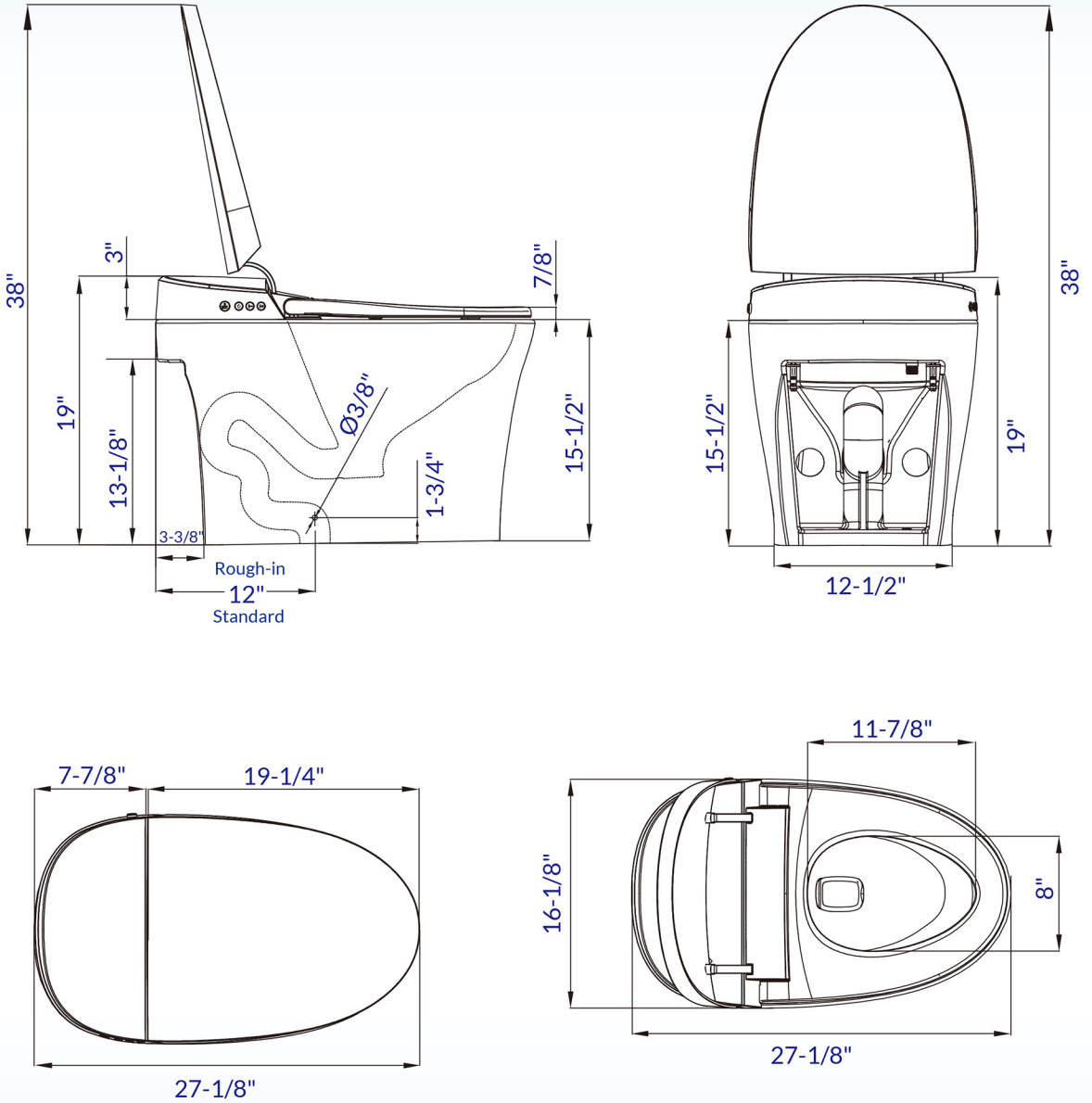
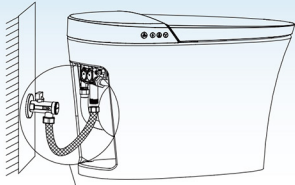


ATTENTION! Dimensions may vary by up to 3/8". It is highly recommended to pull all dimensions of actual model for installation and measuring purposes.

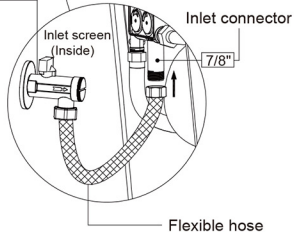


ATTENTION! Dimensions may vary by up to 3/8". It is highly recommended to pull all dimensions of actual model for installation and measuring purposes.

Installation Option



1/2" X 1/2" Compression or IPS Angle Stop



- Connect the water inlet and angle valve of the toilet with the matching hose and tighten it

