

Installation Instruction for Barrel Sauna

WOODBIDGE®



**Model: OBS2822-B
OBS2828-B**



READ ALL INSTRUCTIONS BEFORE UNPACKING THE PRODUCT

INSTRUCTIONS THAT, IF IGNORED COULD RESULT IN DEATH OR SERIOUS INJURY CAUSED BY INCORRECT HANDLING OR INSTALLATION OF THE PRODUCT. THESE INSTRUCTIONS MUST BE OBSERVED FOR SAFE INSTALLATION.

CAUTION!



**TWO PEOPLE
LIFT REQUIRED**

**2 PEOPLE ARE REQUIRED TO LIFT AND DURING
ENTIRE INSTALLATION OF THIS PRODUCT**

This product must be installed by a fully insured installer.

We are not responsible for local code compliance for this product. Building and plumbing codes may vary from state-to-state in accordance to your location. We are not responsible for providing any compliance certifications.

Under no circumstances we are liable for any and all incidental damages sustained in connection with this product. Neither manufacturer, distributor or retailer is responsible for water damage or flood caused by the usage of this product.

Under no circumstances we are liable for any and all fees, cost of installation/reinstallation/removal, subsequent damages or transportation in case of the product defect.

Your barrel sauna will include the following:



- ① One bath staves*
- ② Half back piece x 1
- ③ Half clear glass x 1
- ④ Front piece(2 side panel + 1 wooden frame)
- ⑤ Doorknob assembly(1 Glass door + 2 handle pieces + 2 black pad)
- ⑥ Two benches (Includes 2 support)
- ⑦ Wooden floor mat x 3
- ⑧ Cradles*
- ⑨ Asphalt shingle roof assembly*(4 Asphalt tile plank + 12 decoration panel + Nail + 2 asphalt shingle)
Refer to Figure 53
- ⑩ Banding assembly* **Refer to Figure 45**
- ⑪ Heater guard (Heater and mounting hardware, which are found in the heater box enclosed in the bag containing plaques)
- ⑫ Hardware bag(Rubber mallet + screws + nail)
- ⑬ Electric Sauna Heater x 1

* Quantity varies by model

ELECTRICAL REQUIREMENTS

All electrical wiring must be performed by A QUALIFIED LICENSED ELECTRICIAN. Costs of an electrician can vary greatly depending on several factors, including your sauna's distance from your electrical service box, where you live and cost of materials. We always recommend you get quotes from two to three different licensed electricians before you begin installation in order to get the best possible service and price.

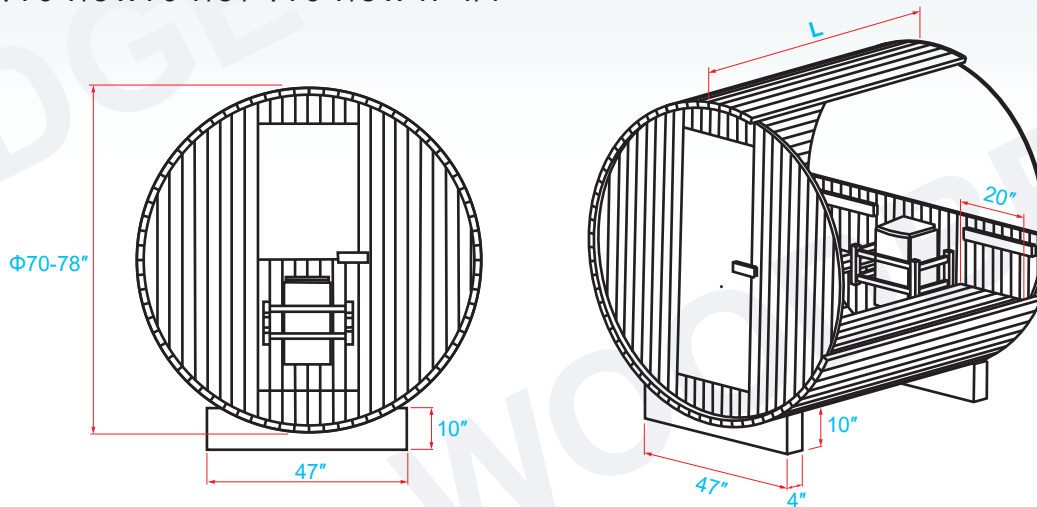
Use copper wire with 90C insulation. Do not use aluminum wire to make the connection. Consult with an electrician so you can determine the requirements for your particular situation. All wiring must conform to all national, state and local codes and regulations.

For further information and instruction on your heater installation and operation, please consult the provided heater manual.

Product information

Product Name: Barrel Sauna
Model: OBS2822-B / OBS2828-B
Size: $\Phi 70\text{-}7/8$ x $70\text{-}7/8$ / $\Phi 70\text{-}7/8$ x $47\text{-}1/4$

OBS2822-B : L = $47\text{-}1/4$ "
OBS2828-B : L = $70\text{-}7/8$ "



LOCATING THE SAUNA

Because the traditional sauna experience involves a heating-cooling-resting regimen, it is important to plan ahead before installing your sauna. Our method of construction allows you to place your barrel sauna in a wide variety of settings.

Be sure the surface is firm and level, and can support the weight of the sauna and its users (1,000+ lbs). A deck or concrete slab is certainly an option, but if your sauna sits directly on the ground, be sure the cradle supports rest on paver stones or something similar to prevent the cradles from settling into the ground.

BASIC TOOLS REQUIRE FOR INSTALLATION

These tools are helpful in the assembly of your barrel sauna:

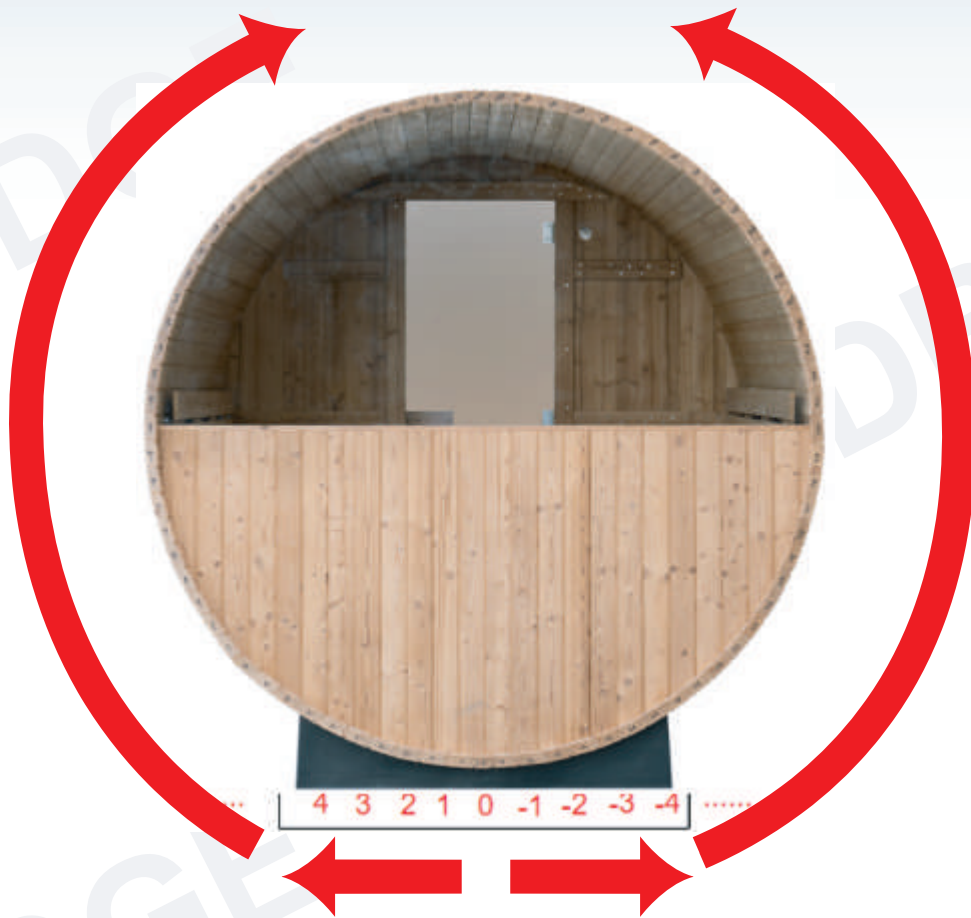
- Cordless drill
- Rubber mallet
- Hammer
- Screwdrivers (Phillips and flathead)
- Utility knife
- Level
- Wrench

BEFORE INSTALLATION

Before beginning assembly, ensure that the installation surface is level. Many garage, basement or deck floors are sloped for drainage. A slight slope will not be an issue, but a more pronounced slope will require shimming to make the sauna level. An uneven installation surface can result in poor-fitting staves leading to poor sauna function. Also, if the site might receive heavy winds, it is recommended extra precautions are taken to ensure the door does not blow open. In most situations, this factor will not be a concern.

Unpack all staves. Identify the drain stave (it will have one or more drainage holes bored into it). This will be the bottommost and first stave used

All panels are require to assemble according to the No.remark.



BACK VIEW



FLOOR ASSEMBLY

Step1:

Placing the cradles on the ground, For optimal assembly, it is important that the cradles are parallel to each other.



Image 1

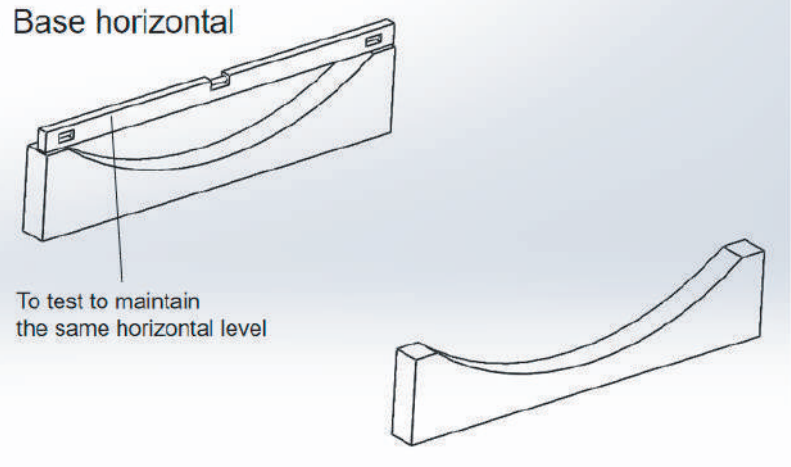


Image 2

Cradles requirements:

barrel saunas require 2 cradles

Step2:

Fasten the drain stave directly in the center of the cradles using 2 screws so the stave extends over the end cradles by approximately 4"(5.7) . (For barrel saunas with more than two cradles, space the remaining cradle(s) evenly between the two end cradles. Secure the staves into these cradles as well.)



Image 3

. Lock the stave

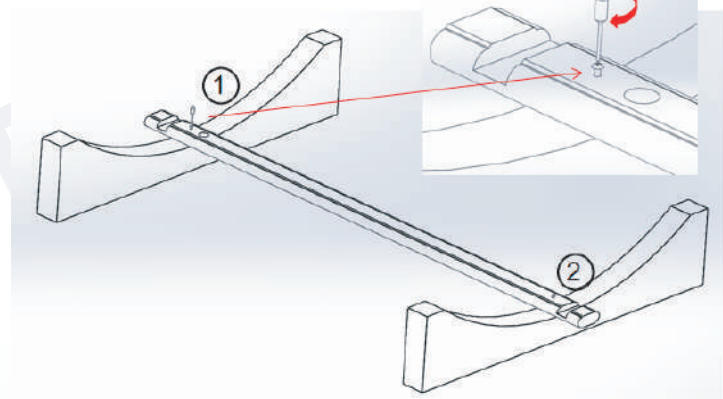


Image 4



Image 5



Image 6

Make sure the stave sits perpendicular to the cradles of the middle before continuing.



Image 7

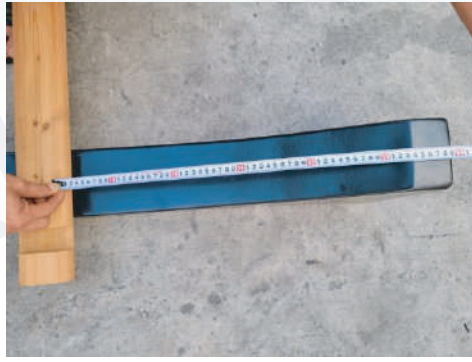


Image 8



Image 9

Continue adding staves to each side of the center stave, tapping each into place with a rubber mallet (11). As you are adding staves, fasten every other stave to each cradle making sure each notch lines up with the others (12) and that each stave is perpendicular to the cradle. And fix them with screws.

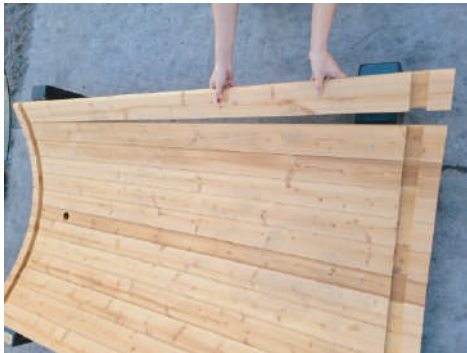


Image 10



Image 11



Image 12



Image 13



Image 14

Step3:

Take the three front end pieces, including the door and two side pieces, and line them up so that both left and right pieces align with the middle pieces. Gently position the two wing sections into place on either side of the door panel - you may use a rubber mallet to achieve a snug fit. Secure the wings to the door section with screws through the predrilled holes on the horizontal support beam.



Image 15



Image 16



Image 17



Image 18

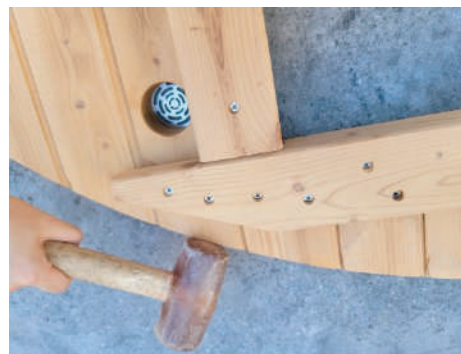


Image 19



Image 20

Step4:

Position the front and half back ends in the notches, with the horizontal support boards facing the inside of the sauna.

Note: the metal vents are to be on the bottom on the back end, and the vent holes are to be on the top on the door end (21).

Place a level on the uppermost horizontal support boards on the front and half back ends to ensure each end is level (22.23). Adjust as necessary. Image (21) shows what your assembly should look like at this point of the installation process.



Image 21



Image 22



Image 23

ROOM ASSEMBLY continued.....

With the front and half back pieces level and placed, begin placing staves up the sides of the sauna. Tap each board with a rubber mallet (24).

Hammer a nail through every second or third stave into the front and back end panels to keep them from falling out (25). The fewer nails you use, the easier disassembly will be should you ever need to take down the sauna. When stave arrived to the half back piece, then put the half moon window upper on the half back pieces groove.

You will find it helpful to place a temporary stave at the top, connecting the two ends(27-30). This will align and stabilize the two ends while you continue adding staves to your sauna. (Please noted that the slots at both end are different, one side connect the front piece is wide and the other side connect the glass are narrow)(28)

► Please pay attention to slots between the half-glass and half-back piece.(31)

Note: If you have access to a pneumatic nailer this process will go faster.



Image 24



Image 25



Image 26



Image 27



Image 28



Image 29



Image 30



Image 31



Image 32



Image 33



Image 34

BENCHES AND SUPPORTS

Note: You may choose to install benches and supports after the entire room has been assembled, but you may find installation easier with the space and light afforded at this point.

Each barrel sauna includes two pre-assembled benches that are side specific. Lay the benches on the lower cleats, which are mounted on each end panel (33).

Fasten the benches into the cleats using the predrilled holes (34). Be sure to countersink the fasteners slightly below the surface of the wood. For 6' and larger barrel saunas, position the provided center support so that it connects the bench to the floor of the barrel. Secure using screws through the pre-drilled holes. (35)



Image 35



Image 36

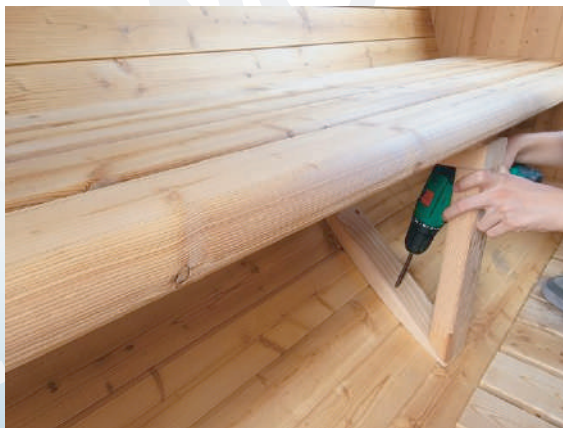


Image 37

Image 38

ROOM ASSEMBLY...CONTINUED

All the sauna room are finished the assemble test before package. So just keep to tap the staves to the top of the sauna room according to the Number we remarked.

Finally you find that there is a difference in the size of the remaining space between staves, and the radius produced by the staves will actually be slightly larger than the radius of the barrel end plate (40). Now you just "lift" the front panel and the rear panel to form an angle, then tap them down with a soft hammer. This will ensure the tightest possible seal when the strap is tightened.



Image 39



Image 40



Image 41



Image 42



Image 43



Image 44

BAND ASSEMBLY

Each band assembly includes the following components: (43)

- Stainless steel band w/brackets
- nuts (2)
- Threaded rod
- Black vinyl caps

Position the bands around your sauna, evenly spaced (44). Insert the threaded rod through the bracket and tighten the nuts by hand evenly until no longer able (45). Before continuing to tighten, verify the bands are evenly spaced and align or stagger the bracket placement along the side of the sauna according to personal preference. Tighten nuts evenly . (46-48).



Image 45



Image 46



Image 47



Image 48



Image 49



Image 50

Band requirements:

barrel saunas require 2 bands

Install door and door handle

Each door assembly includes the following components: (43)

Install the hinges between door and front piece(50),then install the door handle.(51-52)

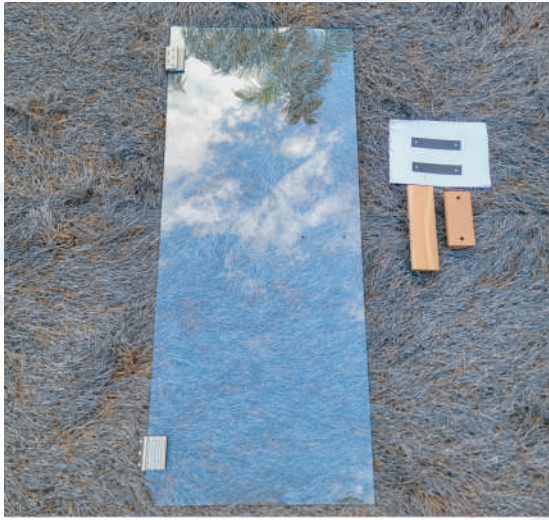


Image 51



Image 52



Image 53



Image 54

ASPHALT SHINGLE ROOF AND DECORATION PANEL INSTALL...

The install of the asphalt shingle will includes the following components :

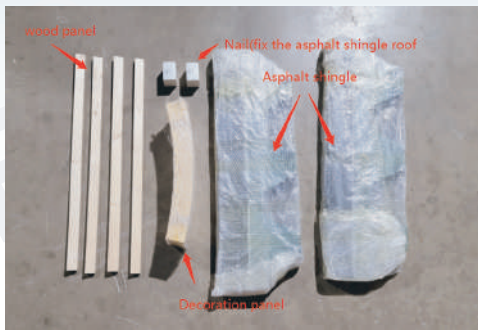


Image 55

Position the wooden panel on the middle of the sauna room with Nail.(54) Then set the first layer asphalt shingle roof(55) and keep to set the second till to the top of the sauna room.(56-58). Install the decoration panel on the front and the back end with screws.(59-60)



Image 56



Image 57



Image 58



Image 59



Image 60



Image 61

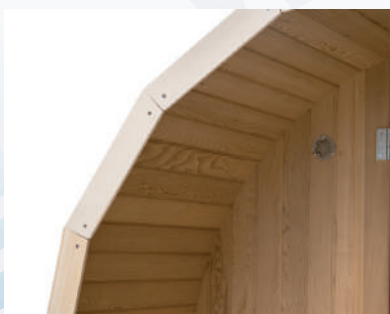


Image 62



Image 63



Image 63-2

FINAL THINGS

Once assembly is complete, sweep and vacuum the inside of the sauna. Wipe down the entire interior with a damp cloth to remove any remaining dirt, dust and debris.

Note: If the sauna has absorbed moisture in storage, the staves may shrink as the high heat evaporates that moisture. This may require you to tighten the bands even further. If your sauna is left in the open rain, this will cause the staves to expand again resulting in an even tighter seal.

HEATER - Please see heater manual.

Power cord for electric heater is not included and user must buy it at local plumbing and electrical store or online.

Installer is required to drill a hole on sauna room wall to connect power cord to wall outlet located outside the sauna room.

ATTENTION OF USING SAUNA

1. Sauna use may cause blood pressure to fall, so people with low blood pressure should talk to their doctor to make sure sauna use is safe.
2. People who have heart disease or have recently had a heart attack should also talk to their doctor first.
3. Who after consuming alcohol or suffering from high blood pressure, heart disease, infectious or contagious diseases, skin conditions, or who are physically unfit for sauna & steam bath are not recommended to use the facility.
4. Children under the age of 12 should be accompanied by an adult.
5. Please shower before using the facility, leave your shoes outside and sit on a towel.
6. Pregnant women or persons on prescribed medication should consult their doctors before using the facility.
7. You may enjoy the sauna as long as you want. Leave the facility immediately if you start to feel uncomfortable.
8. Common time to use the sauna is 5-15mins per visit.
9. Drying of clothes, newspaper and periodical reading and any behavior that disturbs or would disturb others are not permitted in the sauna.

WARNING

REDUCE THE RISK OF OVERHEATING

1. Exit immediately if uncomfortable, dizzy, or sleepy. Staying too long in a heated area is capable of causing overheating.
2. Supervise children at all times.
3. Check with a doctor before use if pregnant, in poor health, or under medical care.
4. Breathing heated air in conjunction with consumption of alcohol, drugs, or medication is capable of causing unconsciousness.

CAUTION

REDUCE THE RISK OF FIRE

Do Not Place Combustible Material On Heater At Any Time

Woodbridge warrants its products as listed in below to be free of material and workmanship defect, subjected to the limitations set forth in this limited warranty.

- Bathtub, Whirlpool/Air Bubble Massage Tub, Wooden Cold Plunge, Sauna Tent : 1 Year limited to be free of defects in material and workmanship.
- Toilet and Bidet: 1 Year limited to be free of defects in material and workmanship.
- Faucet: 1 Year limited to be free of defects in material and workmanship.
- Vanity: 1 Year limited to be free of defects in material and workmanship.
- Granite, Marble, Engineered Quartz Vanity Top: 1 Year limited to be free of defects in material and workmanship.
- Medicine Cabinet, LED Mirror: 1 Year limited to be free of defects in material and workmanship.
- Stainless Steel Sink: 1 Year limited to be free of defects in material and workmanship.
- Solid Surface Shower Wall Panel, Shower Base and Vanity Top: 10 Years limited warranty to be free from material defects.
- Shower Door: Lifetime warranty on glass components and 1 Year limited on other hardware.

This limited warranty is non-transferable and only applies to products purchased and installed in the United States and Canada.

This limited warranty excludes all industrial, commercial and business usage. Proof of purchase (original sales receipt) from the original purchaser, Description and pictures of defect, model number or model description must be provided to Woodbridge Bath for all warranty claims and Woodbridge Bath IS NOT responsible for labor cost, removal or installation costs.

This limited warranty shall not apply to goods which have been subject to accident, negligence, improper installation, product abuse, product misuse, or use of cleaners containing abrasives, alcohol or other organic solvents, whether performed by a contractor, service company, or yourself, are excluded from this warranty.

This warranty does not cover surface damaged caused by use of chemicals that break through or dissolve the surface finish or damage caused by the accidental dropping of sharp or heavy objects. Improper care and use of abrasive cleaners and will void the warranty.

During this limited warranty period if a malfunction occurs and after inspection it is determined that a defect developed during normal use, Woodbridge will as at its election proceed with any of the following options:

- (1) repair or replace the defective part(s) or product(s) at cost**
- (2) issue a refund of the original purchase price of the product(s) (Valid within 30 days from the date of purchase)**
- (3) issue a credit to be applied toward the purchase of a new product. Shipping/delivery charges may apply and are in sole discretion.**

Caution:

NEVER use cleaners containing abrasive cleaners, ammonia, bleach, acids, waxes, alcohol, solvents or other products that are not recommended for Chrome finish will void the warranty.

Woodbridge products should be installed by a fully insured and licensed contractor only. Installation by anyone other than fully insured and licensed contractor will void this limited warranty.

RESPONSIBILITIES OF OTHERS

Inspecting the unit prior to installation is the responsibility of the installer or building contractor who acts on behalf of the user. They are responsible for ensuring the unit is free of defect or damage. Notices are placed on the unit and on the shipping carton advising the installer of this responsibility. In the event of a problem, the unit must not be installed. Woodbridge is not responsible for failures or damage that could have been discovered, repaired, or avoided by proper inspection and testing prior to installation.

Damage occurring in transit is the responsibility of the carrier. The user or installer MUST open the crate and inspect the unit for damage when it is delivered. If damage is discovered, it must be reported immediately to the seller and the carrier in writing, and an inspection requested. Failure of the carrier to respond should be reported to the seller and the carrier. Your freight claims should be filed promptly thereafter.

This limited warranty does not cover any liability for consequential or incidental damages, all of which are hereby expressly disclaimed, or the extension beyond the duration of this limited warranty of any implied limited warranties, including those of merchant ability or fitness for an intended purpose.

DISCLAIMER

Except as expressly provided, there shall be no warranty or obligation, express or implied, oral or statutory. No dealer or other person has the authority to make any warranties or representations concerning or its products. In no event shall be held responsible for any such warranties or representations.

Some states/provinces do not allow limitations on how long an implied warranty lasts, or the exclusion on limitation of special, incidental or consequential damages, so these limitations and exclusions may not apply to you. This warranty gives you specific legal rights, you may also have other rights which vary from state/province to state/province.

To obtain warranty and replacement parts, please send e-mail to help@woodbridgebath.com with the original receipt information, Woodbridge will determine whether to repair or replace your product, issue a refund or issue a credit.

IMPORTANT!

DO NOT USE: Abrasive cleaners such as: acid, ammonia, bleach, and similar solutions. Use of such solutions may cause corrosion, finish peeling, and/or dull the surface.

DO NOT USE: Abrasive sponges or cloth. Never use steel, wool, or wired brushes that will permanently scratch the surface.

Retain these installation instructions for future reference!

Thank you for using WOODBRIDGE products!

WOODBRIDGE[®]

California (Norwalk) Distribution Center
15600 Blackburn Ave, Norwalk, CA 90650

New Jersey (Somerset) Distribution Center
635 Pierce St, Somerset, NJ 08873

Florida (Orlando) Distribution Center
13645 S Orange Ave, Orlando, FL 32824

Canada (Ontario) Distribution Center
615 Orwell Street, Unit B, Mississauga, ON L5A2W4, Canada



Please don't hesitate to contact us if you have any questions or concerns.

Customer Service Phone: 562-229-0088. (Monday - Friday 9 AM - 5 PM Pacific Time)

Or Email: help@woodbridgebath.com