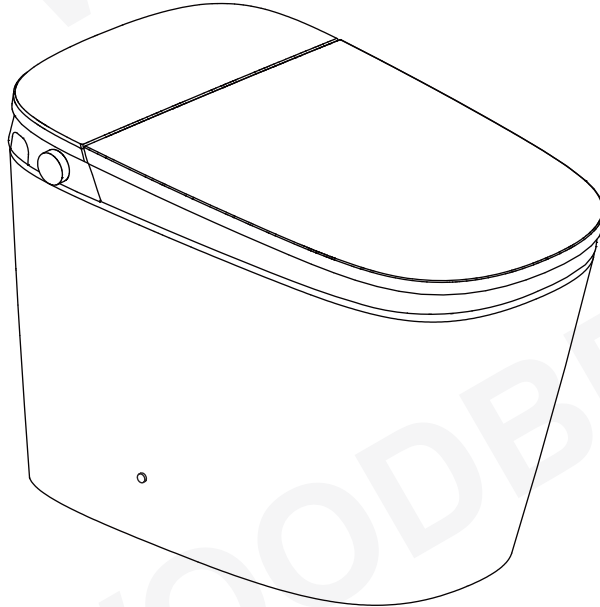


INSTALLATION MANUAL B0930S

WOODBIDGE®

ELECTRONIC BIDET TOILET



To Activate
Warranty



Compliance with the following codes & standards:

- 2015 Uniform Plumbing Code® (UPC)
- 2018 International Plumbing Code® (IPC)
- 2018 International Residential Code® (IRC)
- ASME A112.4.2-2021/CSA B45.16:21 Personal Hygiene Devices for Water Closet
- ASME A112.19.2-2024/CSA B45.1:24 Ceramic Plumbing Fixtures



READ ALL INSTRUCTIONS BEFORE UNPACKING THE PRODUCT

INSTRUCTIONS THAT, IF IGNORED COULD RESULT IN DEATH OR SERIOUS INJURY CAUSED BY INCORRECT HANDLING OR INSTALLATION OF THE PRODUCT. THESE INSTRUCTIONS MUST BE OBSERVED FOR SAFE INSTALLATION.

CAUTION! TWO PERSON LIFT REQUIRED

2 PEOPLE ARE REQUIRED TO LIFT AND COMPLETE INSTALLATION OF THIS PRODUCT



INSTALLATION OF THIS PRODUCT BY AN INEXPERIENCED INSTALLER MAY RESULT PERSONAL INJURY OR DEATH!



We reserve the right to change, update, modify, alter, redesign this manual/product or its policies without prior notice!

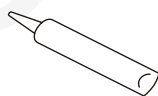
We shall not be liable for any injuries or property damages in connection with this product during installation or use of this product!

- Woodbridge strongly recommends installation by a licensed and insured professional to ensure proper performance and safety.
- We are not responsible for local code compliance for this product. Building and plumbing codes may vary from state-to-state in accordance with your location. We are not responsible for providing any compliance certifications.
- Under no circumstances shall we be liable for any and all incidental damages sustained in connection with this product. Neither manufacturer, distributor, nor retailer is responsible for water damage or flood caused due to use of this product.
- Under no circumstances shall we be liable for any and all fees, cost of installation/reinstallation/removal, subsequent damage or transportation in case of the product defect.

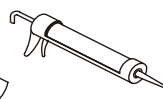
TOOLS REQUIRED FOR INSTALLATION



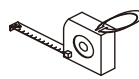
Soft Cloth or Blanket



Silicone



Silicone/Caulk Gun



Tape Measure



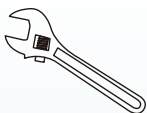
Pencil/Marker



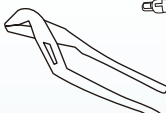
Safety Glass



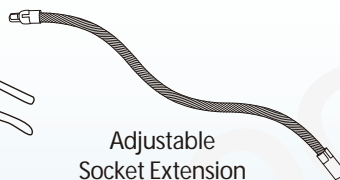
Knife



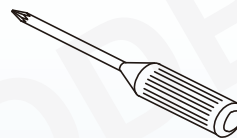
Adjustable Wrench



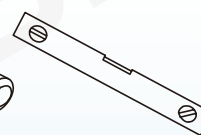
Channel Lock Pliers



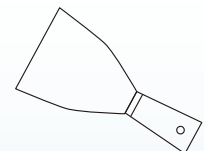
Adjustable Socket Extension



Phillips Screwdriver



Level



Putty Knife

OTHER TOOLS MAY BE REQUIRED

IMPORTANT SAFEGUARDS

When using electrical products, especially when children are present, basic safety precautions should always be followed, including the following:

1. The appliance is not to be used by persons (including children) with reduced physical, sensory or mental capabilities, or lack of experience and knowledge, unless they have been given supervision or instruction.
2. This appliance can be used by children aged from 8 years and above and persons with reduced physical, sensory or mental capabilities or lack of experience and knowledge if they have been given supervision or instruction concerning use of the appliance in a safe way and understand the hazards involved.
3. Children shall not play with the appliance.
4. Cleaning and user maintenance shall not be made by children without supervision.


READ ALL INSTRUCTIONS BEFORE USING

 **DANGER** – To reduce the risk of electrocution:

1. Do not use while bathing.
2. Do not place or store product where it can fall or be pulled into a tub or sink.
3. Do not place in or drop into water or other liquid.
4. Do not reach for a product that has fallen into water. Unplug immediately.
5. Do not wash the main unit or electrical plug with water or detergent.
6. Do not handle the electrical plug with wet hands.
7. Never block the outlet of the air dryer.
8. Never disassemble, repair or modify this product.
9. During installation, disassembly, repair and maintenance of the product, the power plug must be switched off and water supply be shut off.

 **WARNING** – To reduce the risk of burns, electrocution, fire, or injury to persons.


1. Close supervision is necessary when this product is used by, on, or near children or individuals with disabilities.
2. Use this product only for its intended use as described in this manual. Do not use attachments not recommended by the manufacturer.
3. Never operate this product if it has a damaged cord or plug, if it is not working properly, if it has been dropped or damaged, or dropped into water. Return the product to a service center for examination and repair.
4. Keep the cord away from heated surfaces.
5. Never use while sleeping or drowsy.
6. Never drop or insert any object into any opening or hose.
7. Do not use outdoors or operate where aerosol (spray) products are being used or where oxygen is being administered.
8. Connect this product to a properly grounded outlet only. See Grounding Instructions.
9. Do not throw cigarettes and other burning materials into toilet, otherwise it might cause fire.
10. This product is an electric appliance, so it must be placed far away from water and other liquid.
11. Do not lay the product on its side or upside down during the electrical circuit.
12. It is prohibited to use other electric appliances in the same socket.
13. It is forbidden to use the power extension or unstable loose outlet.
14. Do not reuse any existing water supply hoses, otherwise it might cause leakage, fire or electrical shock. Installation should include specified components and a new water supply hose.
15. For models with foam shield function, please do not put corrosive liquid in the foam shield, otherwise it may cause electric shock or burn.

 **CAUTION** – Indicates that failure to follow the instruction may cause body injury or property damage.

1. Do not install or use the product in wet places as steam room etc.
2. It is recommended to use water-proof electrical outlet which should be installed in a place where is not easily to get wet.
3. This product should be used with 110V-120V, 50/60Hz electrical current only, load current is at least 15A. Power plug must be equipped with ground fault circuit interrupter or ground fault electrical leakage protector or similar high sensitive, rapid type leakage switch (Rated sensitive current under 6mA).
4. When it thunders, it is strongly recommended to pull out the power plug.
5. Do not stand on ceramic toilet.
6. Ceramic toilet must install floor fixing bolts.
7. Do not stand on product unit, seat and lid.
8. Do not lean against the seat lid when using the product, to avoid damage.
9. This product is equipped with a soft-closing seat lid. Do not push the toilet seat closed, or damage may occur.
10. Do not use any caustic chemicals or scrubbing brush to clean this product.
11. Exposure to direct sunlight is prohibited.
12. Only use tap water or potable water, otherwise it may cause chafing.
13. Do not connect water supply to heater outlet. Make sure inlet water temperature is between 3~35°C/37.4~95°F.
14. When the room temperature is under zero degree, please drain the water tank, to avoid freezing.
15. Raise room temperature to prevent the toilet from damage due to freezing.
16. When moving the product from cold or wet environment into normal room temperature, wait for 2 hours until the condensation water is fully volatilized. Doing so can prevent the product from electrical short-circuit.
17. When not using the product over three(3) days, drain the water out of the toilet and pull the electrical plug from the wall outlet.
18. Stop using the product and shut off the power when product malfunctions. Call for professional service.
19. For models with the foam shield function, please do not run the foam shield function without the "foam agent", otherwise the service life of the foam shield may be shortened.

GROUNDING INSTRUCTIONS

This product should be grounded. In the event of an electrical short circuit, grounding reduces the risk of electric shock by providing an escape wire for the electric current. This product is equipped with a cord having a grounding wire with a grounding plug. The plug must be plugged into an outlet that is properly installed and grounded.

 **DANGER** – Improper use of the grounding plug can result in a risk of electric shock.

If repair or replacement of the cord or plug is necessary, do not connect the grounding wire to either flat blade terminal. The wire with insulation having an outer surface that is green with or without yellow stripes is the grounding wire.

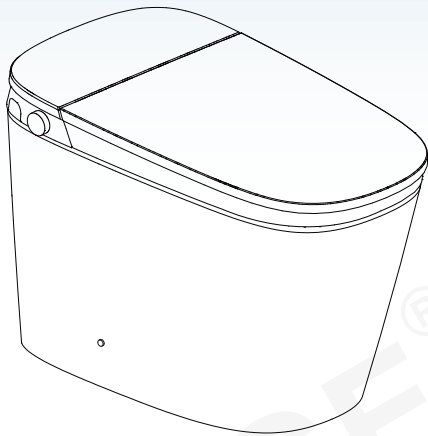
This product is factory equipped with a specific electric cord and plug to permit connection to a proper electric circuit. Make sure that the product is connected to an outlet having the same configuration as the plug. No adapter should be used with this product. Do not modify the plug provided — if it will not fit the outlet, have the proper outlet installed by a qualified electrician. If the product must be reconnected for use on a different type of electric circuit, the reconnection should be made by qualified service personnel.

SAVE THESE INSTRUCTIONS

Model		B0930S
Main Unit	Rated voltage	110V-120V, 50/60Hz
	Rated power	875W
	Water proof	IPX4
	Power cord length	About 1.5m
Toilet	Flush volume	1.6/1.1Gpf, 6.0L(full flush)/4.1L(half flush)
	Flushing mode	Siphonic jet
	Rough-in	12 inches (305mm)
	Outlet outside diameter	≤ 3.9 inches (≤ 100mm)
	Drainage method	S-trap
	Water pressure range	Minimum water pressure 0.08MPa, Maximum water pressure 0.8MPa
Cleaning device	Heating mode	Instant
	Heating power	120V/1400W
	Water temperature	6-level adjustment
	Water volume	3-level adjustment
	Cleaning mode	Rear washing/Oscillating washing, Front washing/Oscillating washing
	Nozzle position	5-level adjustment
	Water pressure protector	Pressure maintaining device, Automatic pressure relief device
	Anti-fouling device	Automatic nozzle cleaning, Anti-backflow device, Anti-syphon device, Filter device
	Safety device	Thermal fuse, Ground protection, Thermostat, Water temperature sensor, Over temperature protection, Leakage protection plug
Deodorization	Deodorization method	Photocatalyst-free

Drying device	Warm air volume	Over 0.2m ³ /min
	Warm air temperature	6-level adjustment
	Heating power	230W
	Warm air speed	3-level adjustment
	Safety device	Thermal fuse, Thermostat, Leakage protection plug, Wind temperature sensor
Heated seat	Surface temperature	6-level adjustment
	Heating power	50W
	Burn protection	After 10 minutes of use, the seat temperature will automatically drop slowly to a low level
	Safety device	Seat sensor, Temperature sensor, Thermostat, Thermal fuse, Leakage protection plug
Caring device	Night light assembly	Intelligent, Always on, Always off
	User ID setting	To avoid interference when used by multiple users
	Automatic flushing	Automatic flushing after use
	Foam Shield function	Splash-proof and odor-proof can be realized
	Foot sensor open lid	Foot sensor open lid/seat can be realized
	Foot sensor flushing function	Foot sensor flushing
	Auto-open lid function	Auto-open lid function can be realized
	Power off flush	Toilet will be washed manually after power failure
Antibacterial site	Seat	EPA Registration Number: 73148-8 EPA Est. 101287-CHN-1
	Nozzle	EPA Registration Number: 73148-4 EPA Est. 101287-CHN-1

Rated power: Under the condition of ambient temperature 23°C/73°F, water static pressure 0.18MPa±0.02MPa, water temperature 15°C/59°F, power toilet on, set water pressure, seat temperature, water temperature to the highest level in turn and perform one rear washing cycle.



Main Unit



Remote Control Components



Sealing Flange



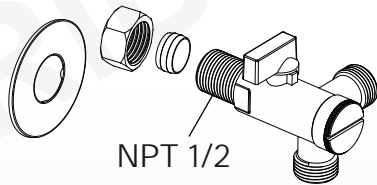
Rough-in Template



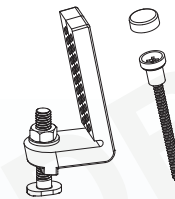
Installation Manual



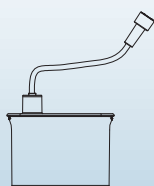
Filling Funnel



Three Way Angle Valve



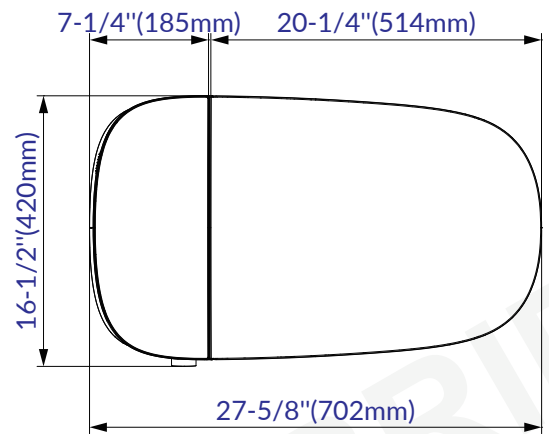
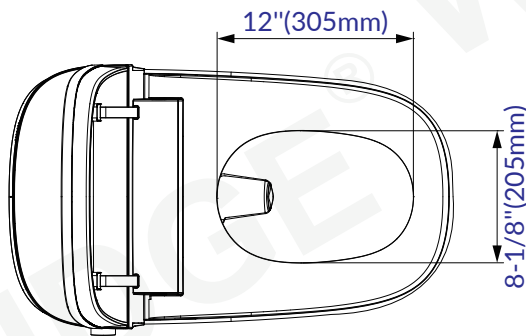
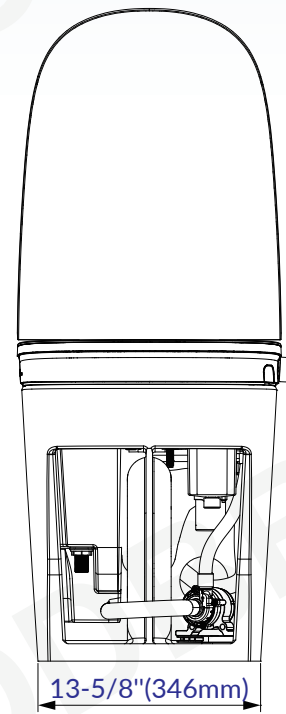
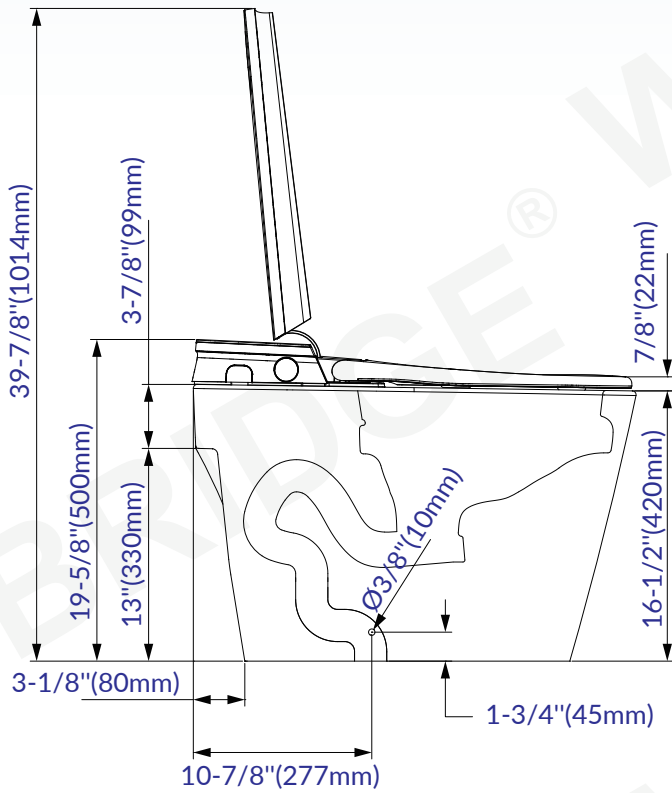
Mounting Kit



Battery Box



Foaming Agent

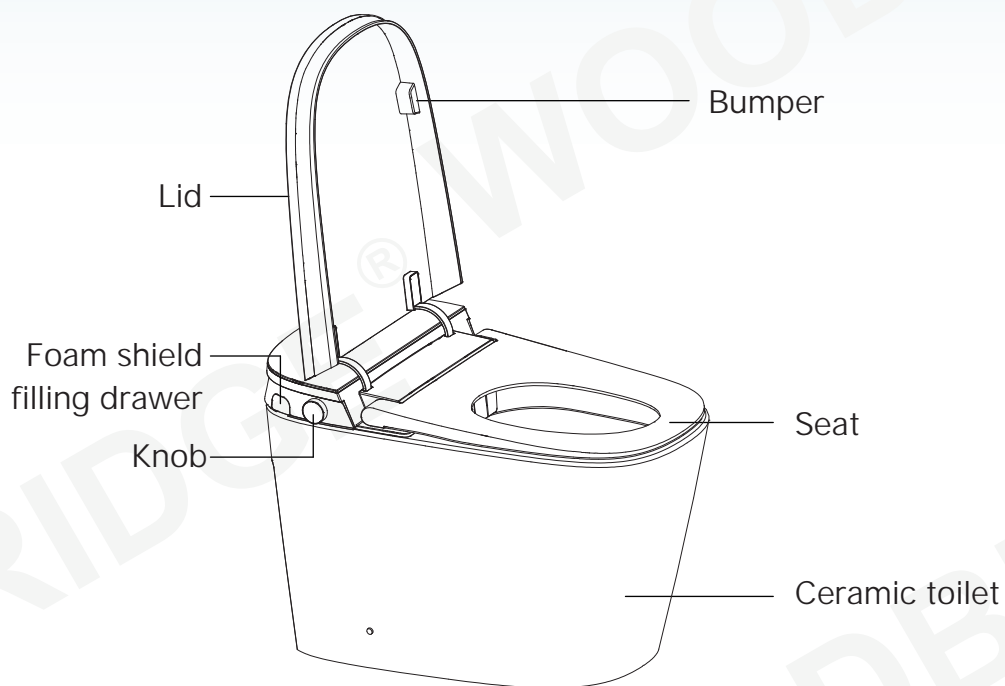


1. The drawing is for reference only, and we reserve the right to modify the product appearance.
2. Product appearance is subject to change in kind.

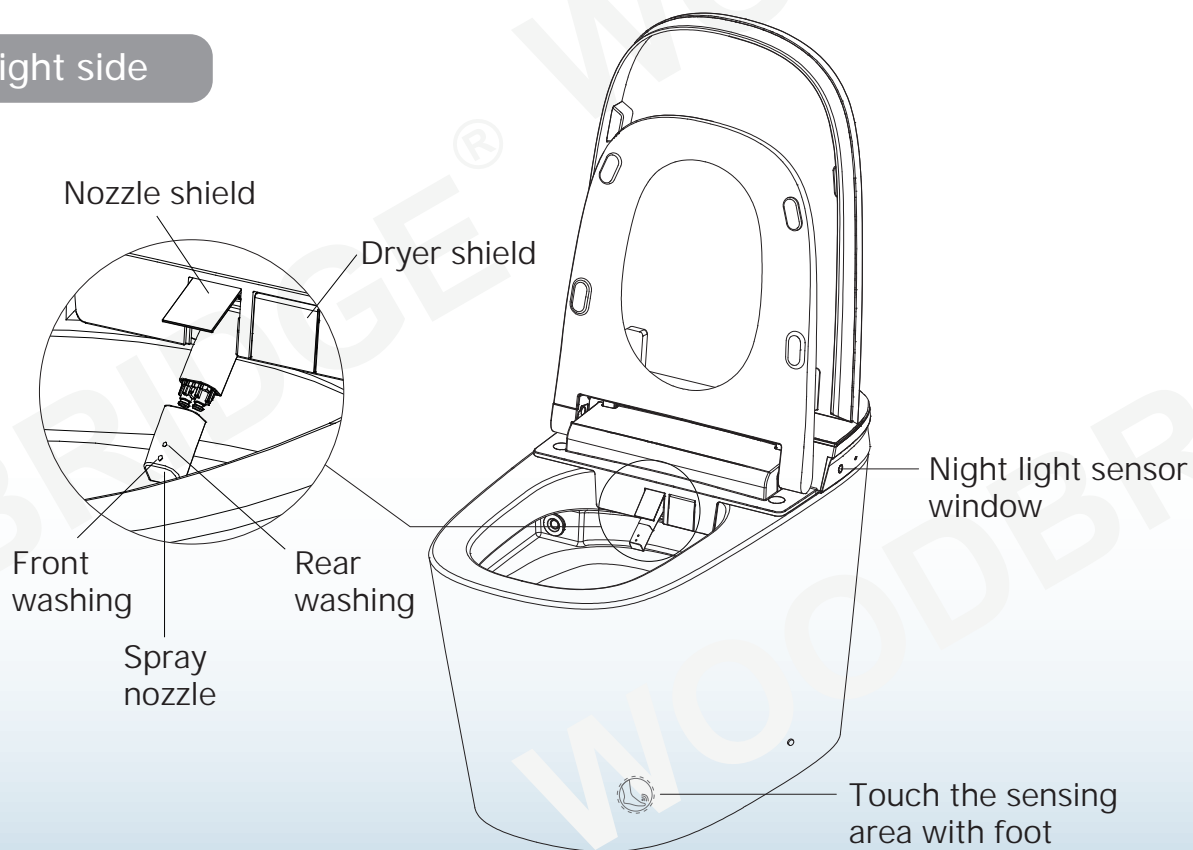


The product drawing is for reference only, and we reserve the right to modify the appearance of the product.

Left side

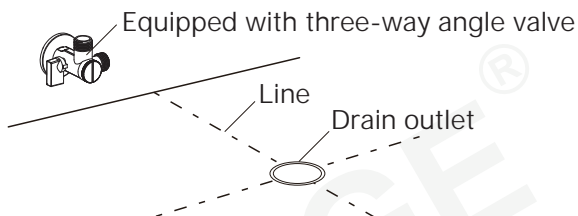


Right side



1. Install the matching three-way angle valve

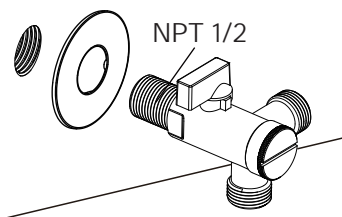
- Mark the center line of the sewage outlet on the ground, and install a three-way angle valve at a suitable position on the wall according to the size of the toilet.



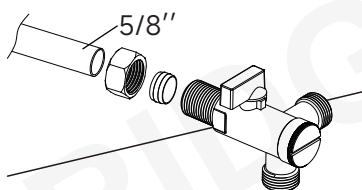
Note:

- Please use the supplied angle valve when installing this toilet. Use of another angle valve not including a filter may result in blockages in the toilet and bidet waterways.
- If replacing an existing angle valve, please contact a professional for installation.

Installation Method 1:

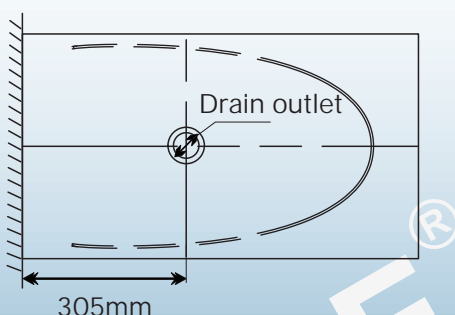


Installation Method 2:



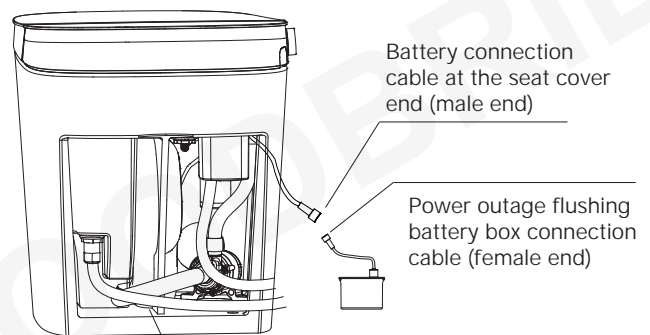
2. Rough-in template installation

- Align cardboard with the centerline of drain outlet.
- Draw contour line according to cardboard.



3. Installation of battery box

- Remove the male end (red) of the battery connector from the rear seat cover of the ceramic.
- Connect the battery connection wire at the seat cover end to the female end of the power-off flushing battery box connection wire and tighten them.
- Place the battery box in a suitable position behind the ceramic. Please ensure it is not placed too deep inside, as it may be difficult to remove for battery replacement in the future.



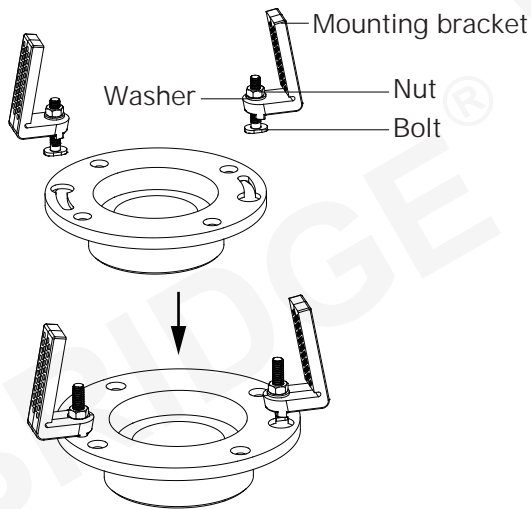
After connecting the wires, place the battery box in a suitable position

Kind tips:

The male and female terminals of the battery connection have positive and negative poles. There are positioning structures inside the two terminals. Please do not force them to plug in, as this may cause damage to the product.

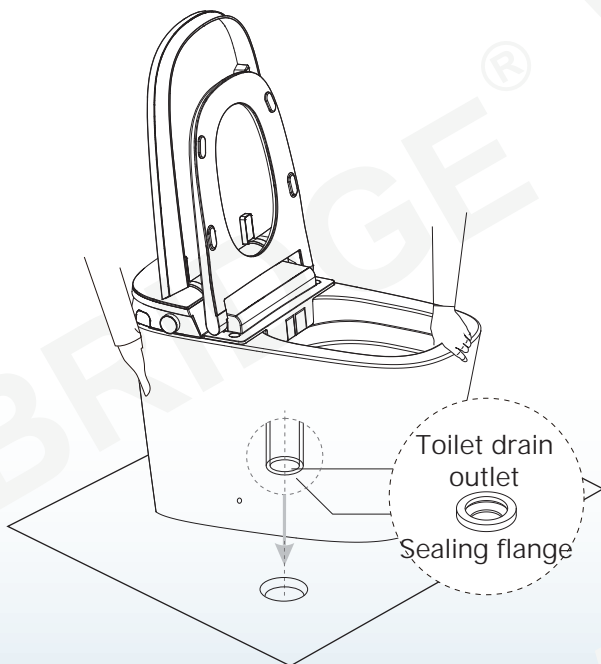
4. Mounting bracket installation

- Assemble the mounting bracket with bolts and then install them to the pre-installed flange plate on the ground and lock tight with nuts.



5. Ceramic toilet installation

- Install a sealing flange into drain outlet.
- Install ceramic toilet on the corresponding position.

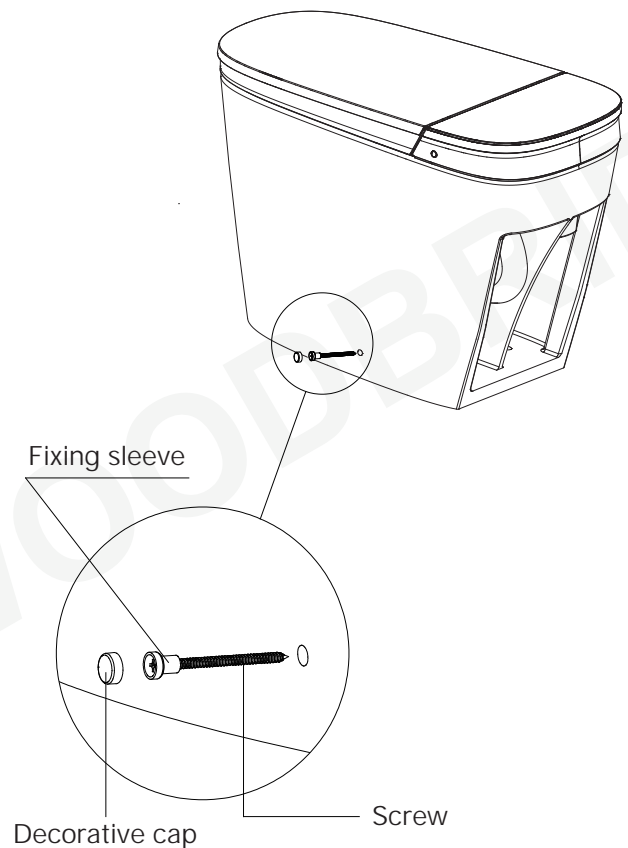


Note:

1. Two people are required to carry the toilet.
2. Please clean up the drain outlet.
3. Please make sure ceramic toilet outlet sits perfectly on drain outlet.

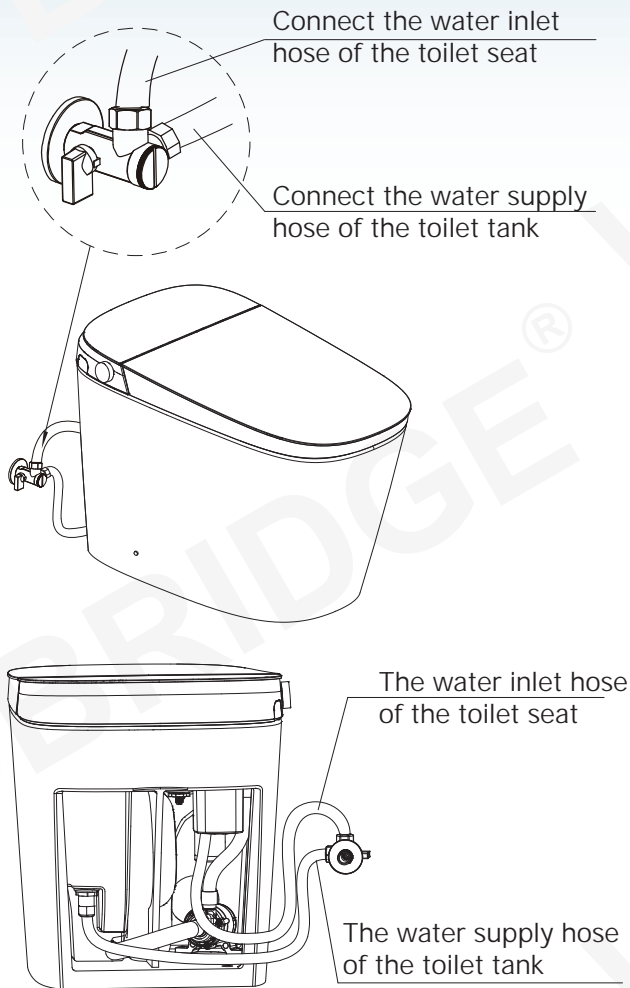
6. Screw installation

- Put the screw through the fixing sleeve and then install it through the holes (on both sides of the toilet bowl) to the mounting bracket on the ground. Lock tight.
- Install the decorative cap on the fixing sleeve.



7. Connect the hoses

- Connect the water supply hose of the toilet tank and the water inlet hose of the toilet seat to the three-way angle valve as shown in the figure.

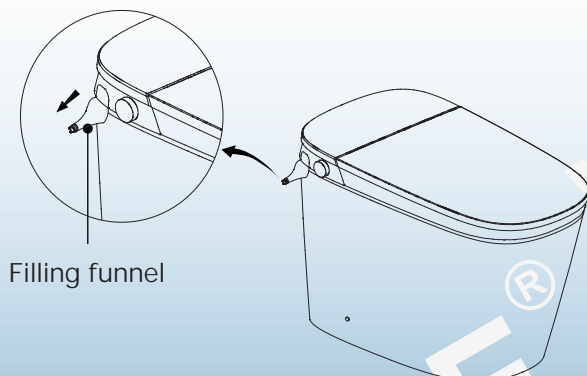


Check the rear connections of the toilet for any leaks.

Check if these pipes are properly connected. If there is a leak, tighten the connections again.

8. Add foam agent (Please buy from local store)

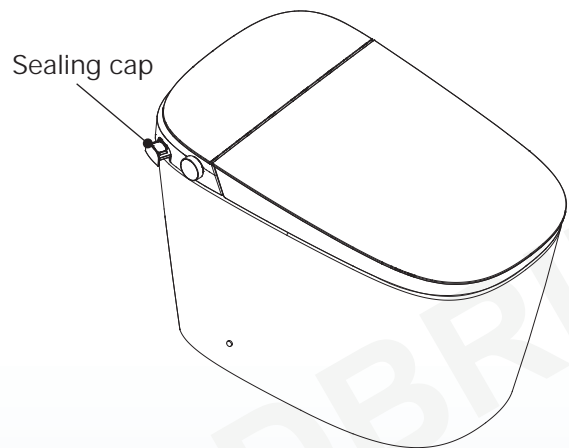
- Use your fingers or tools to reach under the filling box and pull out the filling box. (it is recommended to use a filling funnel, as shown below)



- Put the funnel into the filling port, hold it, and slowly pour the foam liquid into the funnel with the other hand. (Do not quickly pour the foam liquid into the funnel to avoid the foam liquid overflowing)



- Close the sealing cap and press tightly, then push the filling drawer to the end. (If the foam liquid overflows during the liquid addition process, use a paper to dry the liquid before pushing it in)

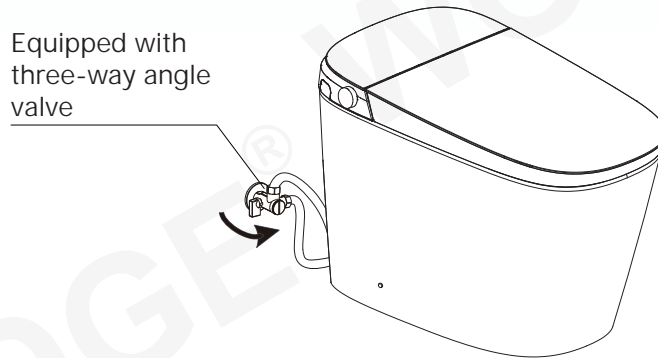


Reminder:

In order to achieve the best effect and prolong the service life of the foam shield, please use our special foam agent for smart toilets

1. Turn on the three-way angle valve

- Check the threaded connection for leaks to ensure complete sealing. Turn the three-way angle valve counterclockwise to the full open position.
(Note: The three-way angle valve opens with a large torque for the first time.)



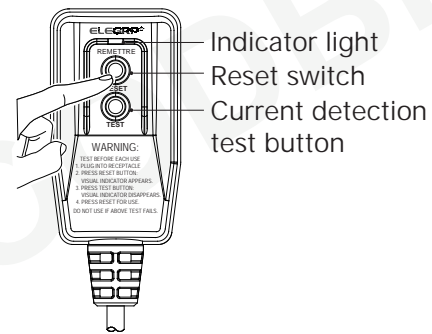
2. Power Connection

- Plug in the leakage protection plug to a power socket, press the reset switch, plug indicator lights up, indicating that the power is on.

Note:

Press the test button prior to usage, the reset switch pops up indicating that the leakage protection function is normal.

Press the TEST button (then RESET button) every month to assure proper operation.

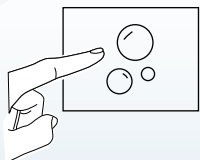


- * Only for models with leakage protection plug.
- * Please refer to the actual product.

3. Self-inspection

- The buzzer of the main unit makes a beep, the indicator light of the function icon and the light of the knob are on, and the self-test starts.
- The buzzer of the main unit beeps again, and the self-test is completed, and the indicator lights of the function icons and the knob lights work as normal.
- The function mode is turned on and used normally.

4. Activate the Foam shield function



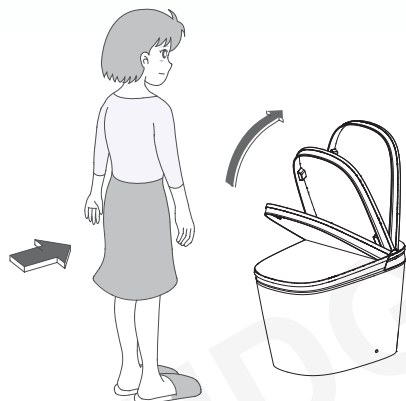
Long press "FOAM CLEANER" button on the remote control until the foam comes out and then release it to complete the "pumping" action

- Before starting the foam shield for the first time, the foam agent needs to be pumped into the foam shield by using the "pump liquid" command.

Tips:

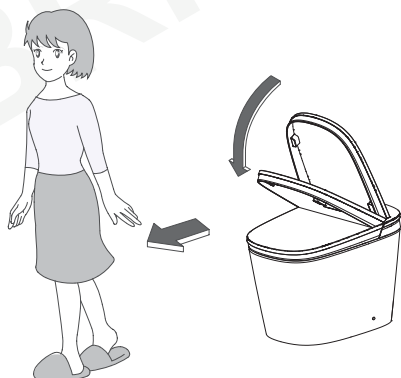
1. After executing the "pumping liquid" command, there may be a large amount of foam when using the foam shield for the first time, which is a normal phenomenon.
2. This operation is only used when the toilet is just installed or when the foam agent is used up to replace the foam agent, and the use of the rest of the time will cause foam agent waste.

The intelligent toilet can achieve the function of auto lid open/close. On closed situation, so please function the auto lid open/close function by using remote controller.



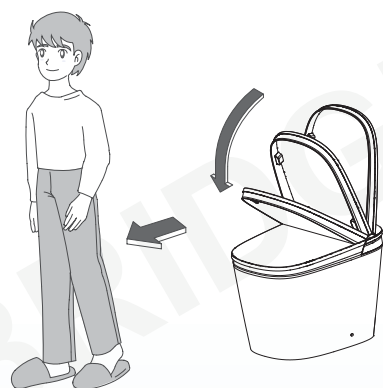
1. Approaching the toilet

When user enters the sensing range, the seat lid opens automatically.



2. Leaving the toilet

When a person leaves the toilet, the lid automatically closes after the microwave detects a period of inactivity.

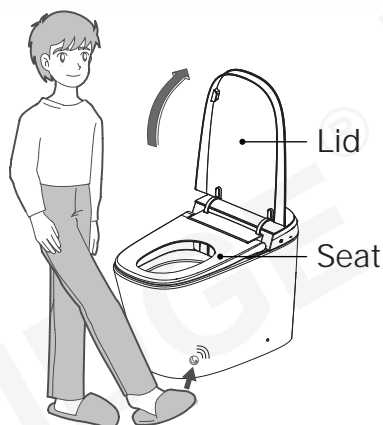


3. Standing up to urinate

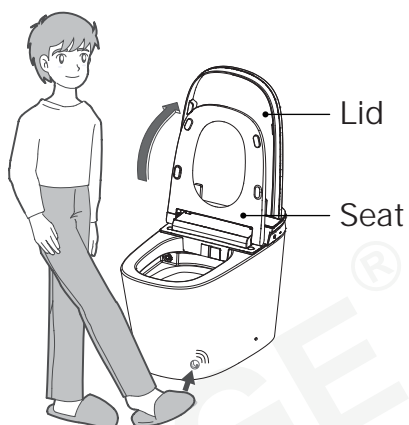
1. Open the seat using the remote control or manually.
2. After using the toilet, the microwave detects a period of human inactivity, the toilet lid and seat will automatically close.

The toilet is equipped with foot sensor lid-open function, it can make lid auto-open by sensing foot movement.

1. When the lid and seat are both closed, touch the sensing area with foot to open the lid.



2. When the lid is open and seat closed, touch the sensing area with foot to open the seat.

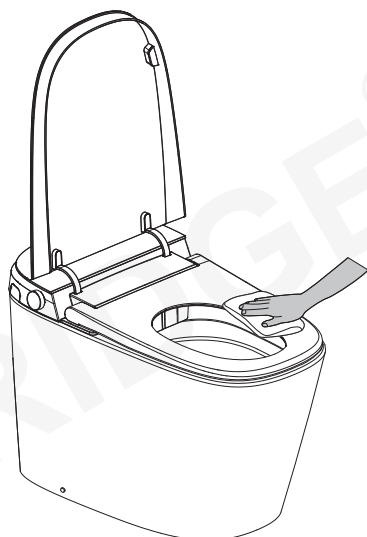


3. When the seat and lid are open, touch the sensing area with foot to close the seat and lid and activate a half flush.



Main unit care and maintenance

1. Shut off power supply before doing maintenance.
2. Use only a soft, damp cloth to clean. Avoid using harsh chemicals.

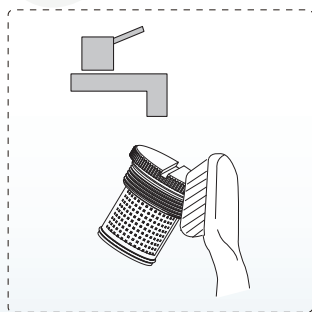
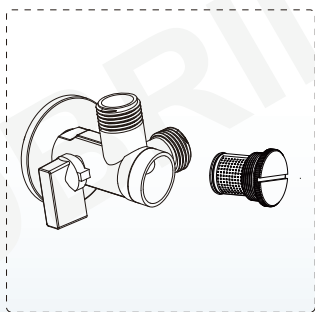


3. Once cleaning is completed and all surfaces are dry, re-connect the power plug.

Filter maintenance

If poor spray performance occurs under normal conditions:

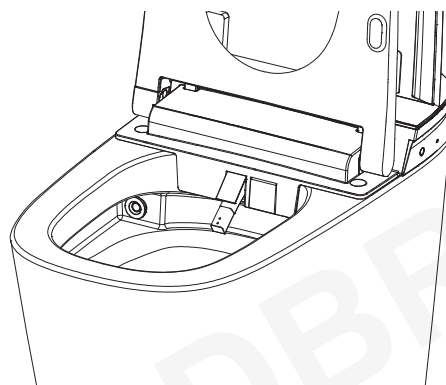
1. Turn off power and the angle valve
2. Unscrew angle valve nut
3. Remove filter net



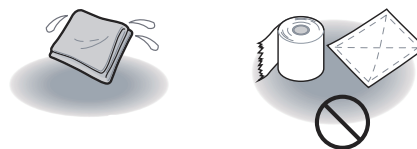
4. Clean out the filter net under running water using a toothbrush
5. Reinstall filter net and angle valve nut
6. Turn on the angle valve and connect the power.

Spray nozzle care and maintenance

1. When no one is seated, turn the knob clockwise. The nozzle will automatically stretch out to allow access for cleaning.
2. When the nozzle moves forward, the nozzle can be removed and cleaned separately.



3. Use only a soft cloth or soft brush to clean. Do not pull or push the wand, to avoid damage.

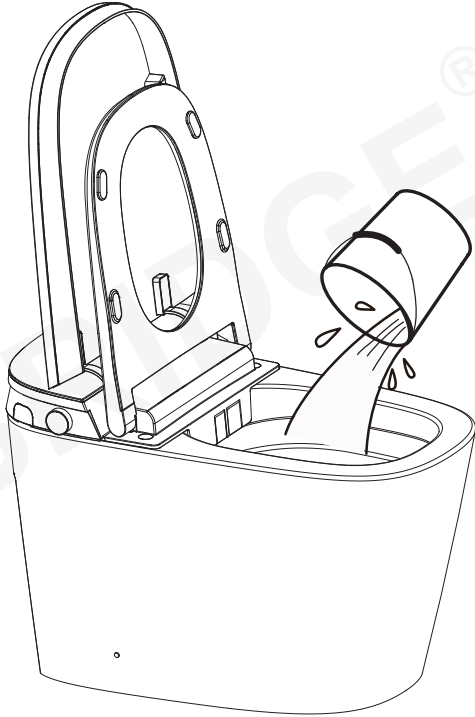


4. Put the nozzle back and press the knob to return the spray wand to its normal position.

Power and water failure

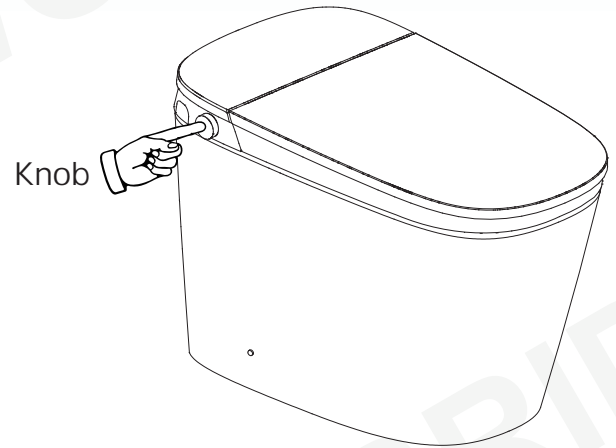
- Fill up 2.1Gal (8L) water to a bucket and flush the ceramic bowl.

Note: Avoid water spilling from bowl.



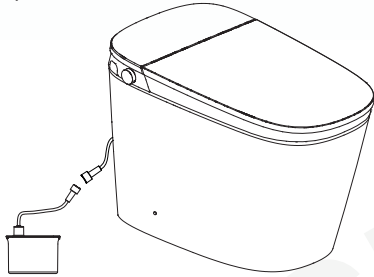
Failure of remote control

1. Operate via knob on the main unit.



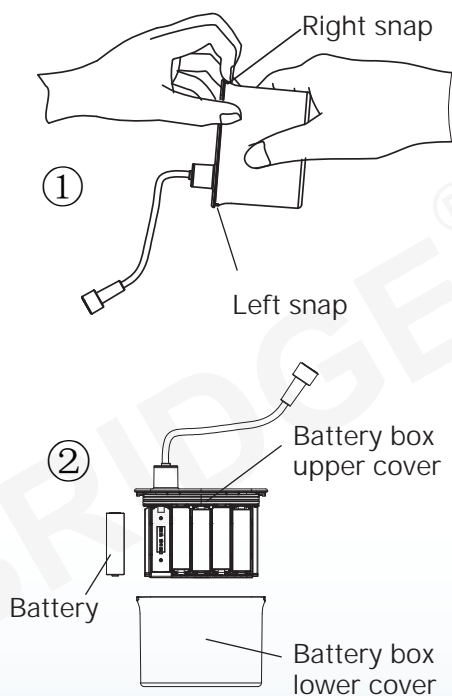
2. Battery replacement

- Remove the battery box from the rear end of the ceramic (as shown in the picture).



- Installation method of dry cell

- Remove the snaps on the left and right sides of the battery box respectively to separate the upper and lower covers of the battery box.
- Install 10 pcs new AA batteries according to the + and - pole markings in the battery compartment, and finally fasten the upper and lower covers of the battery box.



Kind tips:

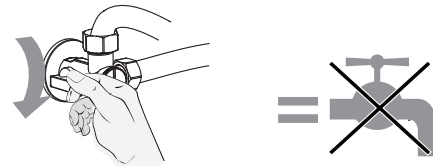
If you use the "power-off flush function" and notice the night light flashes several times before turning off, it indicates that the battery power is low. Please replace the flushing battery promptly, as it may otherwise affect the use of the power-off flush.

Product unused for a period of time

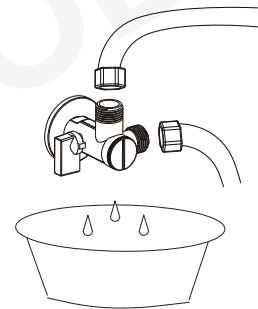
- When the product is left unused for a long time, especially in cold weather, it is highly recommended to drain the water to prevent freezing.

To discharge water

- Activate flushing, and then turn off angle valve to stop water supply.



- Unplug and disconnect from electricity.
- Disconnect the hose from angle valve, drain the water and reconnect.



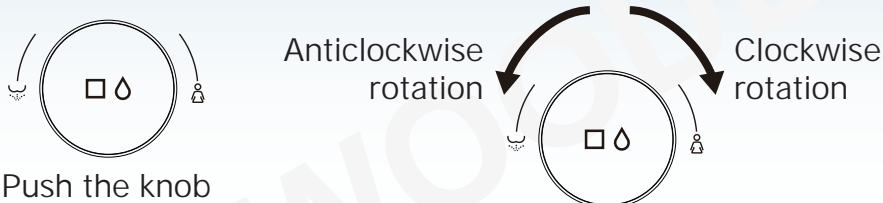
- For your safety, it is recommended to put antifreeze into the remaining water in the bowl.

Note:

Please turn on power and water supply when using again.

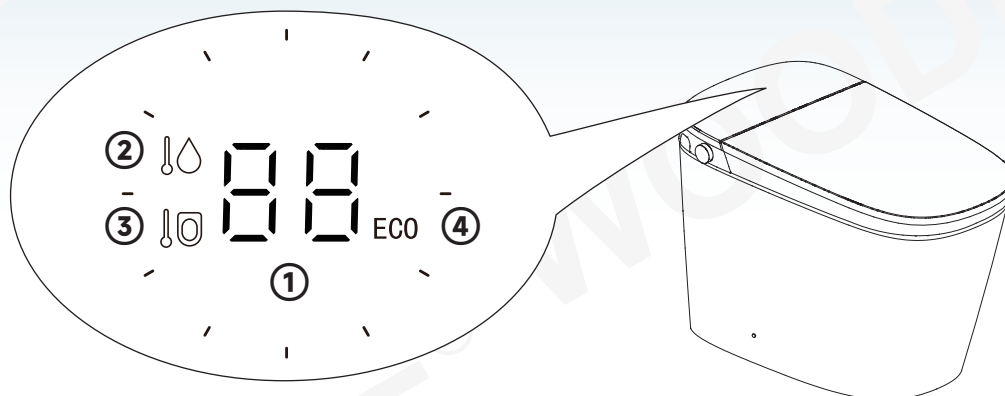


Note: Before water discharging, the power must be cut off!



Knob definition Knob function	 <p>Push the knob</p> <p>Anticlockwise rotation</p> <p>Clockwise rotation</p>	Knob indicator
Rear wash/ front wash	When seated, turn the knob clockwise to start the front washing function, and counterclockwise to start the rear washing function. The warm air will automatically turn on after washing. If you short-press the knob during washing, washing will stop.	
Nozzle position adjustment and cleaning water pressure adjustment	When rear/front washing, turn the knob clockwise to move the nozzle position forward, and turn the knob counterclockwise to move the nozzle position backward. Long press the knob to switch to water pressure adjustment, turn clockwise to increase the water pressure, counterclockwise to decrease the water pressure, long press the knob again to switch to nozzle position adjustment.	
Air outlet temperature and air flow speed adjustment	When seated and without turning on any function, long press the knob to start the strong wind function. Short press the knob during the strong wind function to stop it. In strong wind conditions, rotate the knob clockwise to move the air outlet forward, and rotate the knob counterclockwise to move the air outlet backward. Long press the knob to switch to wind speed adjustment, clockwise rotation increases wind speed, counterclockwise rotation decreases wind speed. Long press the knob again to switch to air outlet adjustment, short press the knob to stop the strong wind function.	White
Nozzle cleaning	In the state of leaving the seat, turn the knob clockwise to start the nozzle manual cleaning function; short press the knob to stop the manual cleaning function, and the nozzle retracts.	
Flush function	In normal working mode, when there is no cleaning, drying or nozzle cleaning function, shortly press the knob to start the flushing function.	
Operating mode	In standby mode, press the knob to enter normal working mode.	
Standby mode	In normal working mode, when leaving the seat, press and hold the knob, the main unit enters standby mode, all functions are turned off, and the indicator light goes out.	Turn off

Reminder:

1. Just after starting up, defaulted level-1 for air speed of mobile drying, and middle-level for other functions; if you use the remote control, it will switch to the function gear set by the remote control.
2. When the power is off, press the knob for about 3 seconds to turn on the flushing function.




The power-on self-test is completed.

- ① **88** Temperature: When the water temperature indicator light is on, it will display the water temperature, and when the seat temperature indicator light is on, it will display the seat temperature; the normal temperature will display [--].
- ②  Water temperature: When adjusting the water temperature, the water temperature indicator light is on, In the cleaning state, the water temperature indicator light is on.
- ③  Seat temperature: When the unit is turned on and not in the cleaning mode, the seat temperature indicator light is on by default.
- ④ **ECO** Energy saving: When the energy saving indicator light is on, it means that the whole unit is in an energy saving mode.

Others: When no one is using, all the indicator lights will go out after a period of time, and the indicator lights will return to display when any function is used again.

Problem	Cause	Solution
No water from nozzle	Water supply hose is kinked	Straighten the hose to remove the kink
	Angle valve is off	Turn on the angle valve
	A water failure occurred	Restore the water supply
Poor water spraying	Water supply hose is kinked	Straighten the hose to remove the kink
	Angle valve is not fully turned on	Turn on the angle valve fully
	Filter is clogged	Clean the filter
Low water temperature	The water temperature is not set properly	Adjust the water temperature

Problem	Cause	Solution
Low seat temperature	The seat temperature is not set properly	Adjust the seat temperature
	In standby mode or energy saving mode	Switch to functional mode and wait for 3+ minutes
Low dryer temperature	The dryer temperature is not set properly	Adjust the dryer temperature
Dryer not blowing	In standby mode	Switch to functional mode to use dry function
Spray wand cannot retract	Power off	Push back the spray wand gently and put power on
	Get stuck by impurities	Remove the impurities
Spray wand cannot stretch out	Power off	Turn on the power
	User is not within the sensing area of the seat	Adjust position on seat to activate the sensor
Remote control cannot display	The positive and negative direction of the batteries is incorrect	Reload the batteries
	Low battery	Replace new batteries
Malfunction of deodorization	User is not within the sensing area of the seat	Adjust position on seat to activate the sensor
	Deodorization function continues after user leaves	It is normal for the deodorizing function to continue operating after user leaves, for complete odor removal
Foam shield has a small amount of foam	Foam agent run out	Add foam agent
After replacing the foam agent, the amount of foam produced by the foam shield is small	Air in the foam shield line after the foam agent has run out	Execute the "pumping" command to pump the foam agent into the foam shield
Manual flushing cannot work during power failure	No or low battery	Replace new batteries for power failure flushing
 Caution	If the problem cannot be resolved as per above solutions, please disconnect the power and contact service providers.	
	If the power leakage protection switch always trips, it means that the product is leaking. Please disconnect the power and contact service providers. www.woodbridgebath.com	

Woodbridge warrants the following products as listed below to be free from defects in material and workmanship, subject to the limitations set forth in this limited warranty.

- Bathtub, Whirlpool/Air Bubble Massage Tub, Cold Plunge, Wooden Tub: 1 Year limited to be free of defects in material and workmanship.
- Sauna room and Sauna Tent: 1 Year limited to be free of defects in material and workmanship.
- Toilet and Bidet: 1 Year limited to be free of defects in material and workmanship.
- Faucet: 1 Year limited to be free of defects in material and workmanship.
- Vanity and Vanity Top: 1 Year limited to be free of defects in material and workmanship.
- Granite, Marble, Engineered Quartz Vanity Top: 1 Year limited to be free of defects in material and workmanship.
- Medicine Cabinet, LED Mirror: 1 Year limited to be free of defects in material and workmanship.
- Stainless Steel Sink: 1 Year limited to be free of defects in material and workmanship.
- Solid Surface Shower Wall Panel, SMC Shower Base: 10 Years limited warranty to be free from material defects.
- Drain Cover and PVC Drain: 1 Year limited to be free of defects in material and workmanship.
- Shower Door: Lifetime warranty on glass components and 1 Year limited on other hardware.

This limited warranty is non-transferable and only applies to products purchased and installed in the United States and Canada

This limited warranty excludes all industrial, commercial and business usage. Proof of purchase (original sales receipt) from the original purchaser, Description and pictures of defect, model number or model description must be provided to Woodbridge Bath for all warranty claims and Woodbridge Bath IS NOT responsible for labor cost, removal or installation costs.

This limited warranty shall not apply to goods which have been subject to accident, negligence, improper installation, product abuse, product misuse, or use of cleaners containing abrasives, alcohol or other organic solvents, whether performed by a contractor, service company, or yourself, are excluded from this warranty.

This warranty does not cover surface damage caused by use of chemicals that break through or dissolve the surface finish or damage caused by the accidental dropping of sharp or heavy objects. Improper care and use of abrasive cleaners will void the warranty.

During this limited warranty period if a malfunction occurs and after inspection it is determined that a defect developed during normal use, Woodbridge reserves the right to take any of the following actions at its discretion:

- (1) repair or replace the defective part(s) or product(s) at cost
- (2) issue a refund of the original purchase price of the product(s) (Valid within 30 days from the date of purchase)
- (3) issue a credit to be applied toward the purchase of a new product. Shipping or delivery charges may apply. Whether such charges are required, and the amount and conditions under which they apply, shall be determined solely at the discretion of Woodbridge.

Caution:
NEVER use cleaners containing abrasives, ammonia, bleach, acids, waxes, alcohol, solvents or other products not recommended for chrome finishes. Doing so will void the warranty.
Woodbridge strongly recommends installation by a licensed and insured professional to ensure proper performance and safety.

RESPONSIBILITIES OF OTHERS

Inspecting the unit prior to installation is the responsibility of the installer or building contractor who acts on behalf of the user. They are responsible for ensuring the unit is free of defect or damage. Notices are placed on the unit and on the shipping carton advising the installer of this responsibility. In the event of a problem, the unit must not be installed. Woodbridge is not responsible for failures or damage that could have been discovered, repaired, or avoided by proper inspection and testing prior to installation.

Damage occurring in transit is the responsibility of the carrier. The user or installer MUST open the crate and inspect the unit for damage when it is delivered. If damage is discovered, it must be reported immediately to the seller and the carrier in writing, and an inspection requested. Failure of the carrier to respond should be reported to the seller and the carrier. Your freight claims should be filed promptly thereafter.

This limited warranty does not cover any liability for consequential or incidental damages, all of which are hereby expressly disclaimed, or the extension beyond the duration of this limited warranty of any implied limited warranties, including those of merchantability or fitness for an intended purpose.

DISCLAIMER

Except as expressly provided, there shall be no warranty or obligation, express or implied, oral or statutory. No dealer or other person has the authority to make any warranties or representations concerning or its products. In no event shall be held responsible for any such warranties or representations.

Some states/provinces do not allow limitations on how long an implied warranty lasts, or the exclusion or limitation of special, incidental or consequential damages, so these limitations and exclusions may not apply to you. This warranty gives you specific legal rights, you may also have other rights which vary from state/province to state/province.

To obtain warranty and replacement parts, please send e-mail to help@woodbridgebath.com with the original receipt information, Woodbridge will determine whether to repair or replace your product, issue a refund or issue a credit.

IMPORTANT!

DO NOT USE: Abrasive cleaners such as: acid, ammonia, bleach, and similar solutions. Use of such solutions may cause corrosion, finish peeling, and/or dull the surface.

DO NOT USE: Abrasive sponges or cloths. Never use steel, wool, or wire brushes that will permanently scratch the surface.

Retain these installation instructions for future reference!

Thank you for using WOODBRIDGE products!

WOODBRIDGE®

California (Norwalk) Distribution Center
15600 Blackburn Ave, Norwalk, CA 90650

New Jersey (Somerset) Distribution Center
635 Pierce St, Somerset, NJ 08873

Florida (Orlando) Distribution Center
13645 S Orange Ave, Orlando, FL 32824

Canada (Ontario) Distribution Center
615 Orwell Street, Unit C, Mississauga, ON L5A2W4, Canada

**SCAN
ME**

To Activate
Warranty



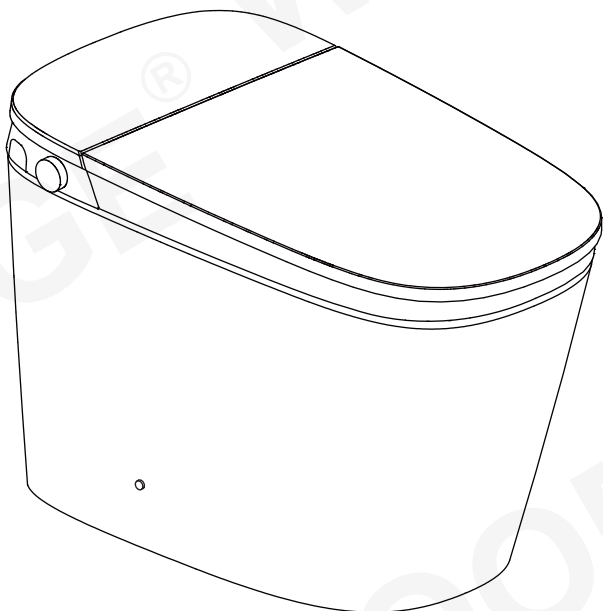
Please don't hesitate to contact us if you have any questions or concerns.

Customer Service Phone: 562-229-0088. (Monday - Friday 9 AM - 5 PM Pacific Standard Time)

Or Email: help@woodbridgebath.com

MANUEL D'INSTALLATION B0930S

WOODBIDGE® BIDET DE TOILETTE ÉLECTRONIQUE



SCANNEZ
-MOI

Pour activer
la garantie



Conformité aux normes et codes suivants :

- Code® Uniforme de Plomberie 2015 (UPC)
- Code® International de Plomberie 2018 (IPC)
- Code® International Résidentiel 2018 (IRC)
- ASME A112.4.2-2021/CSA B45.16:21 – Dispositifs d'hygiène personnelle pour WC
- ASME A112.19.2-2024/CSA B45.1:24 – Appareils sanitaires en céramique



PREFERRED
EDUCATION
PROVIDER





LISEZ TOUTES LES INSTRUCTIONS AVANT DE DÉBALLER LE PRODUIT

DES INSTRUCTIONS QUI, SI ELLES SONT IGNORÉES, PEUVENT ENTRAÎNER LA MORT OU DES BLESSURES GRAVES EN RAISON D'UNE MANIPULATION OU D'UNE INSTALLATION INCORRECTE DU PRODUIT. CES INSTRUCTIONS DOIVENT ÊTRE RESPECTÉES POUR UNE INSTALLATION SÛRE.

ATTENTION!



**MANUTENTION
À DEUX**

LE DÉPLACEMENT ET L'INSTALLATION DE CE PRODUIT DOIVENT ÊTRE EFFECTUÉS PAR DEUX PERSONNES



L'INSTALLATION DE CE PRODUIT PAR UN INSTALLATEUR INEXPÉRIMENTÉ PEUT ENTRAÎNER DES BLESSURES OU LA MORT!

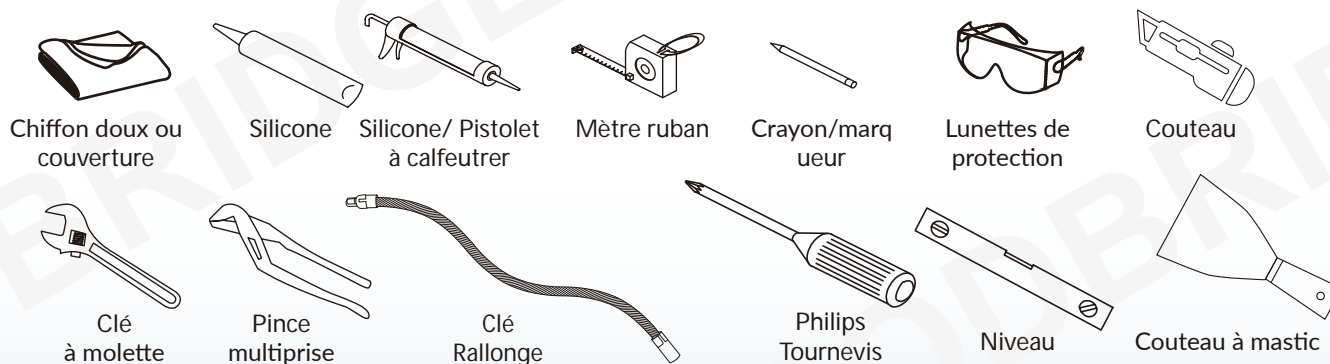


Nous nous réservons le droit de changer, de mettre à jour, de modifier ou de remanier ce manuel/produit ou ses politiques sans préavis!

Nous ne sommes pas responsables des dommages corporels ou matériels liés à ce produit lors de son installation ou de son utilisation.

- Woodbridge recommande fortement que l'installation soit effectuée par un professionnel qualifié et assuré afin d'assurer la performance et la sécurité du produit.
- Nous ne sommes pas responsables de la conformité aux codes locaux de construction et de plomberie de ce produit. Les codes de construction et de plomberie peuvent varier d'un État à l'autre. Nous ne fournissons pas de certifications de conformité.
- Sous aucune circonstance, nous ne saurions être tenus responsables : Des dommages accessoires liés à l'utilisation de ce produit ; De la responsabilité liée à des dommages causés par des plomberies (fuites, inondations).
- y compris les coûts d'installation, de réinstallation, de dépannage, de dommages ultérieurs ou de transport en cas de défaut du produit.

OUTILS NÉCESSAIRES À L'INSTALLATION



AUTRES OUTILS NÉCESSAIRES

MESURES DE SÉCURITÉ IMPORTANTES

Lors de l'utilisation de produits électriques, en particulier en présence d'enfants, il convient de toujours respecter les mesures de sécurité de base, notamment les suivantes :

1. Cet appareil n'est pas destiné à être utilisé par des personnes (y compris des enfants) ayant des capacités physiques, sensorielles ou mentales réduites, ou un manque d'expérience et de connaissances, à moins qu'elles n'aient reçu une supervision ou des instructions concernant l'utilisation de l'appareil par une personne responsable de leur sécurité.
2. Cet appareil peut être utilisé par des enfants à partir de 8 ans et par des personnes ayant des capacités physiques, sensorielles ou mentales réduites ou manquant d'expérience et de connaissances, à condition qu'ils aient reçu une surveillance ou des instructions concernant l'utilisation de l'appareil en toute sécurité et qu'ils comprennent les risques encourus.
3. Les enfants ne doivent pas jouer avec l'appareil.
4. Le nettoyage et l'entretien par l'utilisateur ne doivent pas être effectués par des enfants hors de surveillance.

LIRE TOUTES CES INSTRUCTIONS AVANT L'UTILISATION

 **DANGER** - Pour réduire le risque d'électrocution :

1. Veuillez ne pas utiliser l'appareil pendant la douche.
2. Veuillez ne pas placer ou ranger le produit dans un endroit où il pourrait tomber ou être entraîné dans une baignoire ou un évier.
3. Veuillez ne pas placer l'appareil dans l'eau ou dans d'autres liquides.
4. Veuillez ne pas toucher le produit s'il a été tombé dans l'eau. Veuillez le débrancher immédiatement.
5. Veuillez ne pas laver l'unité principale ou la prise électrique avec de l'eau ou du détergent.
6. Veuillez ne pas toucher la fiche électrique avec des mains mouillées.
7. Veuillez ne jamais bloquer la sortie du séchoir.
8. Veuillez ne jamais démonter, réparer, modifier ce produit.
9. Lors de l'installation, du démontage, de la réparation et de l'entretien du produit, il est impératif de couper l'alimentation électrique et de fermer l'arrivée d'eau.

 **AVERTISSEMENT** - Pour réduire les risques de brûlure, d'électrocution, d'incendie ou de blessure.

1. Une surveillance étroite est requise lorsque ce produit est utilisé par des enfants, des personnes handicapées ou à proximité d'eux.
2. Veuillez utiliser ce produit uniquement selon son usage prévu, tel que décrit dans le manuel. Veuillez ne pas utiliser d'accessoires non recommandés par le fabricant.
3. Veuillez ne jamais utiliser ce produit si son cordon ou sa fiche est endommagé(e), s'il ne fonctionne pas correctement, s'il est tombé ou a été endommagé, ou s'il est tombé dans l'eau. Veuillez retourner le produit à un centre de service pour examen et réparation.
4. Veuillez tenir le cordon à l'écart des surfaces chauffées.
5. Veuillez ne jamais utiliser l'appareil pendant le sommeil ou la somnolence.
6. Veuillez ne jamais laisser tomber ou insérer d'objet dans une ouverture ou un tuyau.
7. Veuillez ne pas utiliser l'appareil à l'extérieur ou dans un endroit où des produits en aérosol sont utilisés ou dans un endroit où de l'oxygène est administré.
8. Veuillez brancher produit uniquement à une prise de courant correctement mise à la terre. Veuillez voir les instructions de mise à la terre.
9. Veuillez ne pas jeter de cigarettes ou d'autres objets enflammés dans la cuvette, sous peine de provoquer un incendie.
10. Ce produit étant un appareil électrique, il doit donc être placé loin de l'eau ou des autres liquides.
11. Veuillez ne pas placer ce produit sur le côté ou à l'envers pendant le circuit électrique.
12. Il est interdit d'utiliser d'autres appareils électriques sur la même prise.
13. Veuillez ne pas utiliser une rallonge électrique ou une prise instable.
14. Veuillez ne pas réutiliser les tuyaux d'eau existants, sous peine de provoquer des fuites, des incendies ou des chocs électriques. L'installation doit inclure les composants spécifiés et un nouveau tuyau d'eau pour assurer un fonctionnement sûr et efficace.
15. Afin d'améliorer la sécurité, veuillez éviter de verser des liquides corrosifs dans les boucliers en mousse des modèles, car cela pourrait entraîner des risques d'électrocution ou de brûlure.



ATTENTION - Cela indique que le non-respect des instructions peut entraîner des blessures corporelles ou des dommages matériels.

1. Veuillez ne pas installer ni utiliser l'appareil dans des endroits humides, comme un hammam, etc.
2. Il est recommandé d'utiliser une prise électrique étanche installée dans un endroit où elle n'est pas facilement exposée à l'humidité.
3. Ce produit doit être utilisé uniquement avec un courant électrique de 110V-120V, 50/60Hz, le courant de charge étant d'au moins 15A. La fiche d'alimentation doit être munie d'un dispositif de protection contre les fuites de courant à la terre, tel qu'un disjoncteur ou un interrupteur de fuite électrique, qui doit être rapide et très sensible (un courant nominal inférieur à 6mA).
4. En cas d'orage, il est fortement recommandé de débrancher la fiche d'alimentation.
5. Veuillez ne pas vous tenir debout sur la cuvette céramique.
6. La cuvette céramique doit être fixée au sol à l'aide d'un boulon de fixation.
7. Veuillez ne pas vous tenir debout sur l'unité le siège et le couvercle du produit.
8. Veuillez ne pas vous appuyer sur le couvercle du siège lors de l'utilisation de l'appareil, afin d'éviter de l'endommager.
9. Ce produit est équipé d'un couvercle à fermeture souple. Veuillez ne pas pousser le siège de la cuvette pour le fermer, sous peine de l'endommager.
10. Veuillez ne pas utiliser de produits chimiques caustiques ou de brosse à récurer pour nettoyer ce produit.
11. L'exposition à la lumière directe du soleil est interdite.
12. Veuillez ne pas utiliser de l'eau du robinet ou de l'eau potable, sous peine de provoquer des irritations.
13. Veuillez ne pas raccorder l'alimentation en eau à la sortie du chauffe-eau. Veillez à ce que la température de l'eau soit comprise entre 3~35°C/37.4~95°F.
14. Lorsque la température de la pièce est inférieure à zéro degré, veuillez vider le réservoir d'eau, pour éviter le gel.
15. Veuillez augmenter la température des toilettes afin de prévenir les dommages causés par le gel à la cuvette.
16. Lorsque le produit est transféré d'un environnement froid ou humide à une température ambiante normale, il est recommandé d'attendre au moins 2 heures pour permettre à l'eau de condensation de s'évaporer complètement. Cela permet d'éviter les risques de courts-circuits électriques.
17. Si vous n'utilisez pas le produit pendant trois (3) jours, videz l'eau du récipient et débranchez la fiche électrique de la prise murale.
18. Veuillez cesser d'utiliser le produit et couper l'alimentation électrique en cas de dysfonctionnement. Veuillez appeler un service professionnel.
19. Pour les modèles équipés de la fonction de bouclier en mousse, veuillez éviter d'utiliser ladite fonction sans l'ajout d'un "agent de mousse", sous peine de réduire la durée de vie du bouclier en mousse.

INSTRUCTIONS DE MISE A LA TERRE

Ce produit doit être mis à la terre. En cas de court-circuit, la mise à la terre réduit le risque de choc électrique en fournissant un fil de fuite électrique. Ce produit est équipé d'un cordon muni d'un fil de mise à la terre et d'une fiche de mise à la terre. La fiche doit être branchée dans une prise de courant correctement installée et mise à la terre.



DANGER - L'utilisation incorrecte de la fiche de mise à la terre peut entraîner un risque de choc électrique.

Si la réparation ou le remplacement du cordon ou de la fiche est nécessaire, veuillez ne pas connecter le fil de mise à la terre à l'une ou l'autre des bornes. Le fil de mise à la terre présente une surface extérieure verte avec ou sans bandes jaunes.

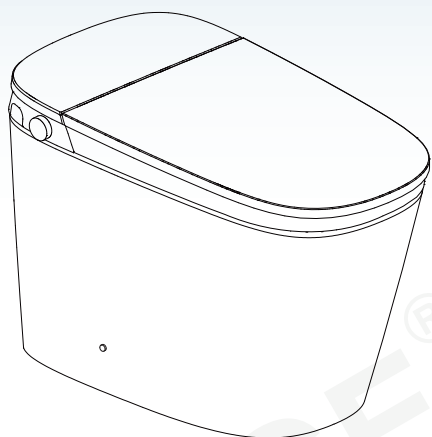
Ce produit est équipé en usine d'un cordon électrique et d'une fiche spécifique permettant de le connecter à un circuit électrique approprié. Assurez-vous que le produit est branché sur une prise ayant la même configuration que la fiche. Aucun adaptateur ne doit être utilisé avec ce produit. Veuillez ne pas modifier la fiche fournie - si elle ne s'adapte pas à la prise, faites installer la prise adéquate par un électricien qualifié. Si le produit doit être branché sur un autre type de circuit électrique, seul un personnel d'entretien qualifié doit effectuer le rebranchement.

CONSERVEZ CES INSTRUCTIONS

Modèle		B0930S
Unité principale	Tension nominale	110V-120V, 50/60Hz
	Puissance nominale	875W
	Résistance à l'eau	IPX4
	Longueur du cordon d'alimentation	Environ 1,5 m
Cuvette	Volume de la chasse d'eau	1,6/1.1Gpf, 6,0L(chasse pleine)/4,1L(demie-chasse)
	Mode de rinçage	Jet siphonique
	Tuyau de drainage réservé	12 pouces (305 mm)
	Diamètre extérieur de la sortie	≤ 3,9 pouces (≤ 100mm)
	Méthode de drainage	Drainage vertical
	Plage de pression d'eau	Pression d'eau minimale 0,08MPa, pression d'eau maximale 0,8MPa
Dispositif de rinçage	Mode chauffage	Instantané
	Puissance de chauffage	120V/1400W
	Température de l'eau	Réglage à 6 niveaux
	Volume d'eau	Réglage à 3 niveaux
	Mode de rinçage	Rinçage arrière/rinçage oscillant, rinçage avant/rinçage oscillant
	Position de la buse	Réglage à 5 niveaux
	Protection de la pression de l'eau	Dispositif de maintien de la pression, Dispositif de décompression automatique
	Dispositif anti-salissures	Buse à l'autonettoyage, dispositif anti-siphon, dispositif anti-reflux, dispositif de filtrage
Dispositif de sécurité	Fusible thermique, Protection de la terre, Thermostat, Capteur de température de l'eau, Protection contre la surchauffe, Bouchon de protection contre les fuites	
Désodorisation	Méthode de désodorisation	Sans photocatalyseur

Dispositif de séchage	Volume d'air chaud	Supérieure à 0,2m ³ /min
	Température de l'air chaud	Réglage à 6 niveaux
	Puissance de chauffage	230W
	Vitesse du vent	Réglage à 3 niveaux
	Dispositif de sécurité	Fusible thermique, Thermostat, Bouchon de protection contre les fuites, Capteur de température du vent
Siège chauffant	Température de surface	Réglage à 6 niveaux
	Puissance de chauffage	50W
	Protection contre les brûlures	Après 10 minutes d'utilisation, la température du siège redescend automatiquement à un niveau bas.
	Dispositif de sécurité	Capteur de siège, capteur de température, thermostat, fusible thermique, bouchon de protection contre les fuites
Dispositif de soin	Veilleuse intégrée	Intelligent, toujours allumé, toujours éteint
	Réglage de l'ID utilisateur	Pour éviter les interférences en cas d'utilisation par plusieurs utilisateurs
	Chasse d'eau automatique	Chasse d'eau automatique après utilisation
	Fonction de bouclier de mousse	L'étanchéité aux éclaboussures et aux odeurs peut être réalisée.
	Capteur de pied pour l'ouverture du couvercle	Le capteur de pied pour l'ouverture du couvercle/siège peut être réalisé
	Capteur de pied pour la fonction de chasse d'eau	Capteur de pied pour la chasse d'eau
	Fonction d'ouverture automatique du couvercle	La fonction d'ouverture automatique du couvercle peut être réalisée
	Vidange en cas de panne de courant	Les toilettes doivent être vidangées manuellement après une coupure d'électricité
Couche anti bactérienne	Le siège	EPA Numéro d'enregistrement: 73148-8 EPA Est. 101287-CHN-1
	La buse	EPA Numéro d'enregistrement: 73148-4 EPA Est. 101287-CHN-1

Puissance nominale Lorsque la température ambiante est de 23°C/73°F, la pression statique de l'eau est de 0,18MPa±0,02MPa, la température de l'eau est de 15°C/59°F, la cuvette est activée, ajustez la pression de l'eau, la température du siège, la température de l'eau au niveau le plus élevé à tour de rôle et effectuez un cycle de rinçage arrière.



Unité principale



Composants de la télécommande



Bride d'étanchéité



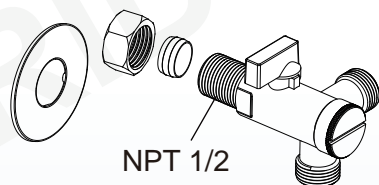
Gabarit d'encastrement



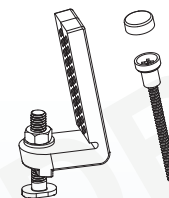
Manuel d'installation



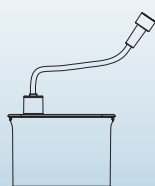
Entonnoir de remplissage



Vanne d'angle à trois voies



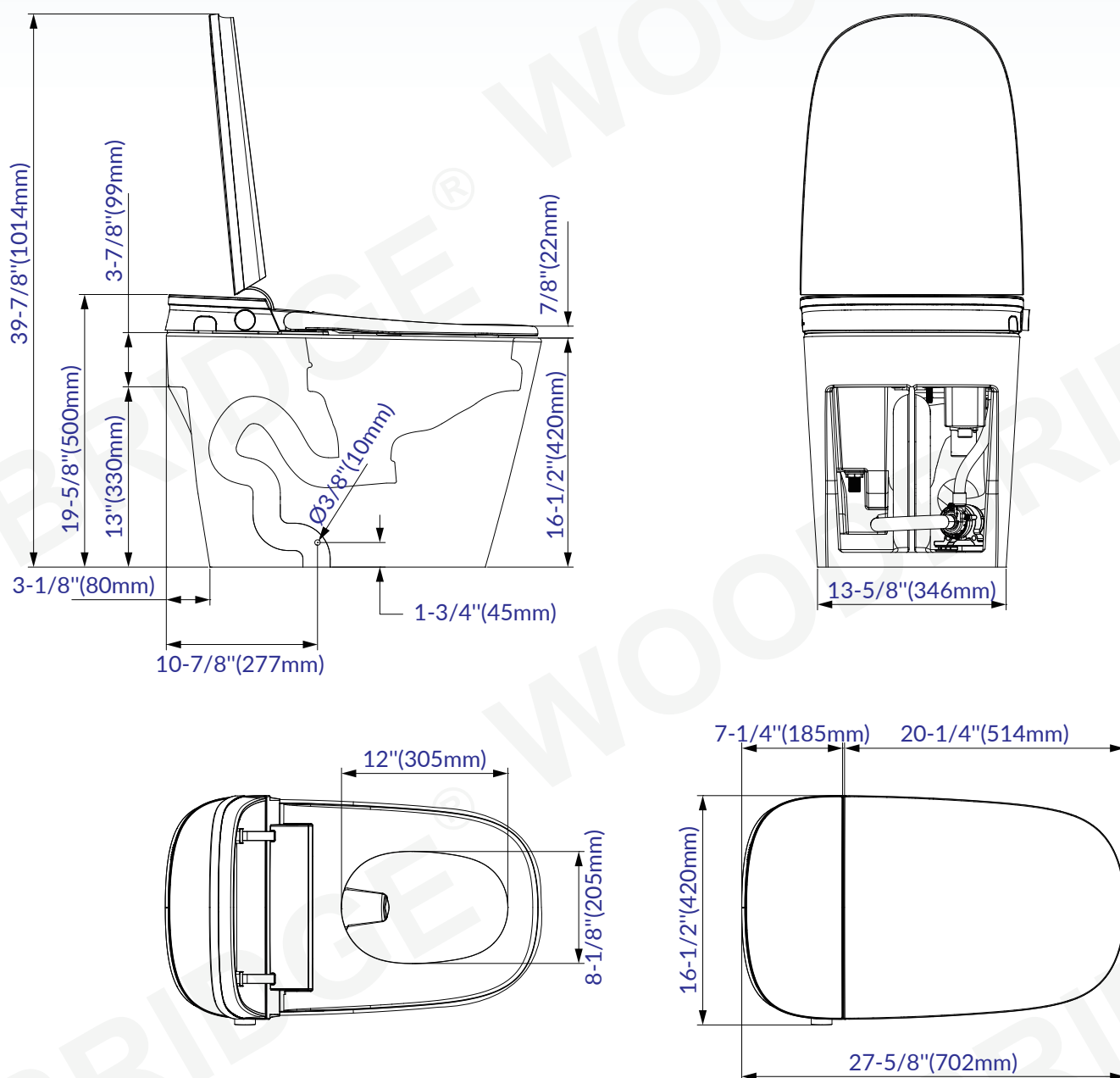
Kit de montage



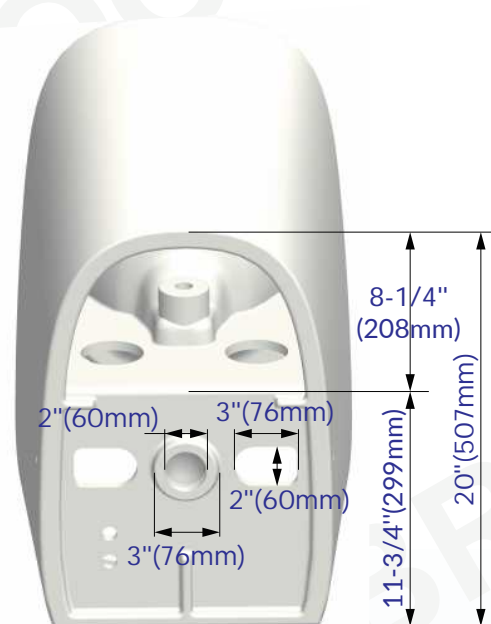
Boîtier de batterie



Agent moussant

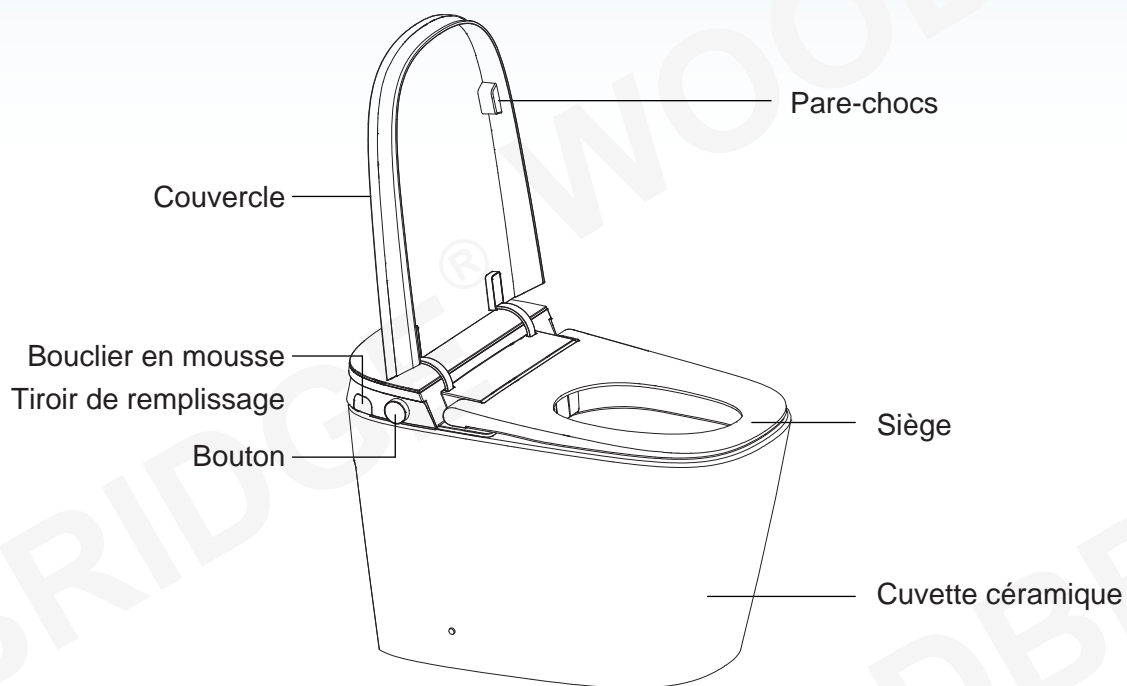


1. Le dessin du produit est fourni à titre de référence uniquement, et nous nous réservons le droit de modifier l'apparence du produit.
2. L'apparence du produit est susceptible d'être modifiée.

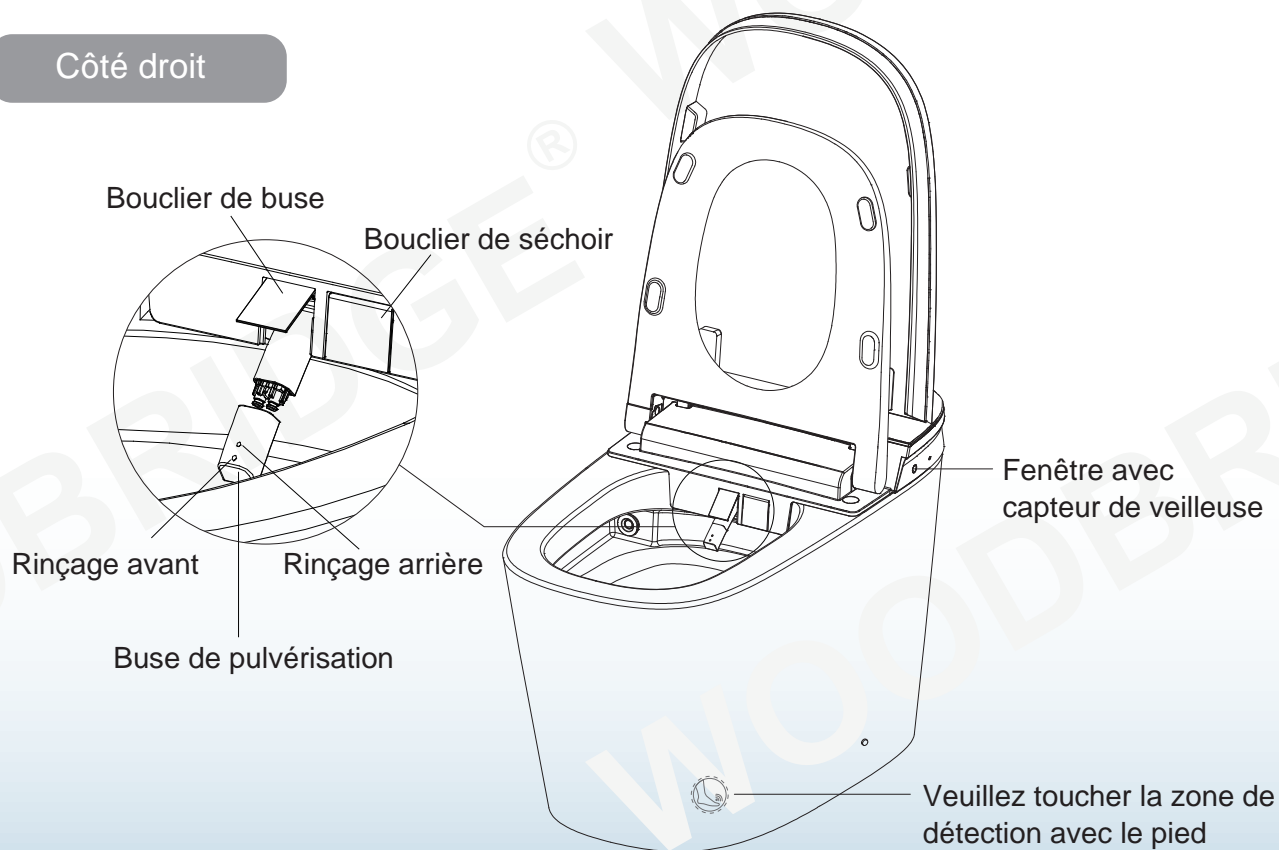


Le dessin du produit est fourni à titre de référence uniquement, et nous nous réservons le droit de modifier l'apparence du produit.

Côté gauche

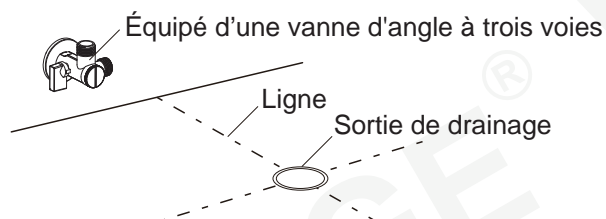


Côté droit



1. Installez la vanne d'angle à trois voies correspondant

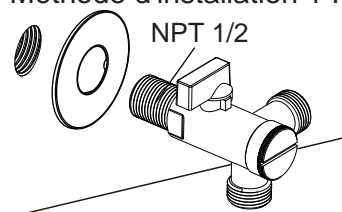
- Veuillez marquer la ligne centrale de la sortie des eaux usées sur le sol et installer une vanne d'angle à trois voies à un emplacement approprié sur le mur, en tenant compte de la taille de la cuvette.



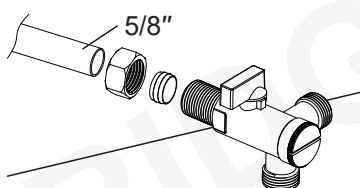
Remarque :

1. Veuillez utiliser la vanne d'angle fourni lors de l'installation de cette cuvette. L'utilisation d'une autre vanne d'angle ne comprenant pas de filtre peut entraîner des blocages dans les voies d'eau du bidet-toilette.
2. Si vous devez remplacer la vanne d'angle actuelle, veuillez faire appel à un professionnel pour son installation.

Méthode d'installation 1 :

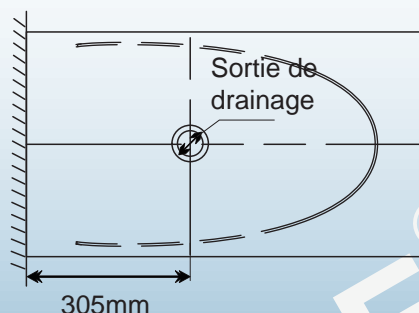


Méthode d'installation 2 :



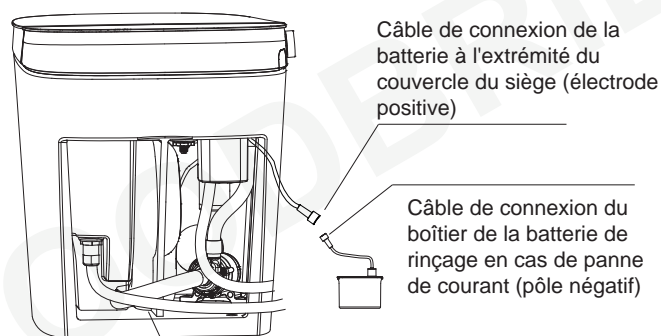
2. Installation du gabarit d'encastrement

- Alignez le couvercle sur l'axe de la sortie de vidange.
- Tracez la ligne de contour selon le couvercle.



3. Installation du boîtier de batterie

1. Retirez l'électrode positive (rouge) du connecteur de la batterie du couvercle du siège arrière de la céramique.
2. Connectez le fil de connexion de la batterie de l'extrémité du couvercle du siège avec le pôle négatif du fil de connexion du boîtier de la batterie de rinçage hors tension et serrez-les.
3. Placez le boîtier de la batterie dans un endroit approprié derrière la céramique. Veuillez à ce qu'il ne soit pas placé trop profondément à l'intérieur, car il pourrait être difficile de l'enlever pour remplacer la batterie à l'avenir.



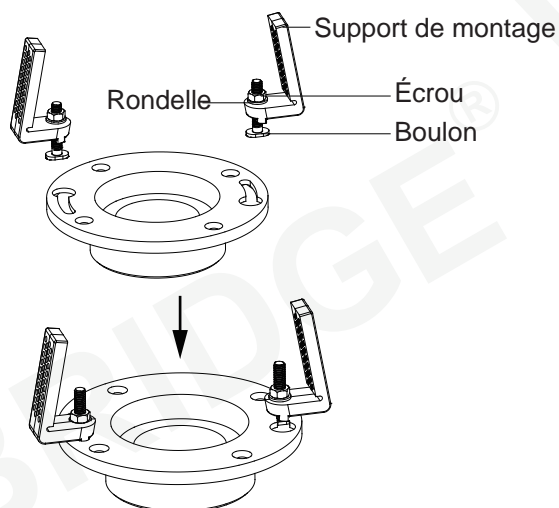
Après avoir connecté les fils, placez la boîte de batterie dans une position appropriée

Conseils avisés:

Les bornes mâle et femelle de la connexion de la batterie ont des pôles positifs et négatifs. Des structures de positionnement se trouvent à l'intérieur des deux bornes. Ne les forcez pas à s'emboîter, car cela pourrait endommager le produit.

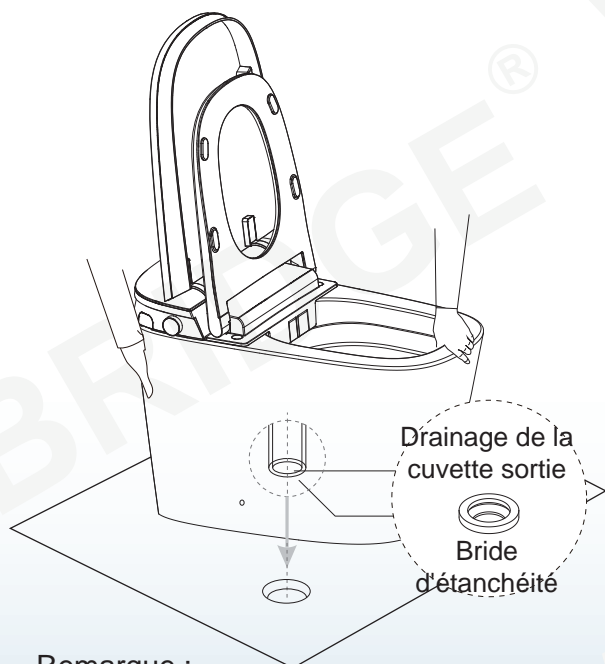
4. Installation du support de montage

- Assemblez le support de montage avec les boulons, puis installez-les sur la plaque à bride pré-installée au sol et bloquez-les avec les écrous.



5. Installation de la cuvette céramique

- Veuillez installer la bride d'étanchéité dans l'orifice de vidange ;
- Veuillez installer la cuvette céramique sur la position correspondante.

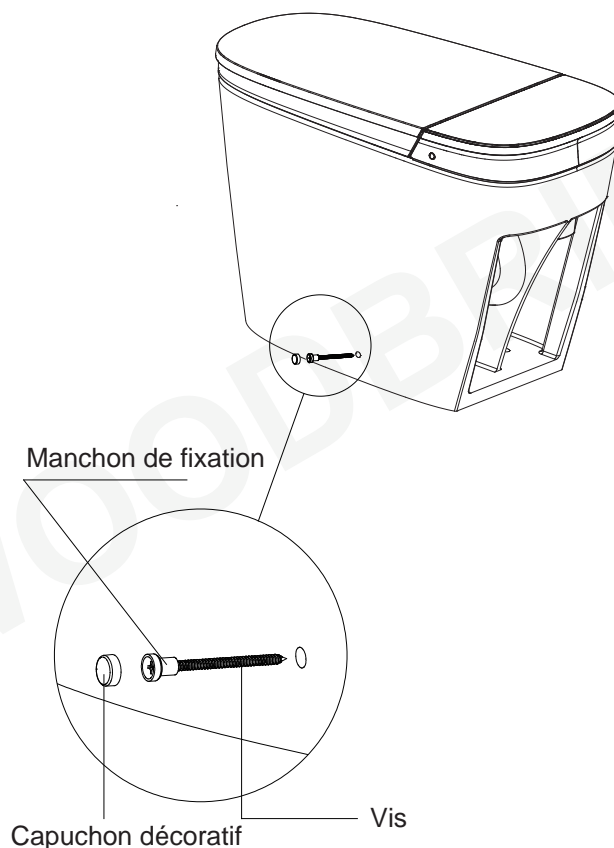


Remarque :

1. La cuvette doit être soulevée par deux personnes.
2. Veuillez nettoyer l'orifice drainage;
3. Veillez à ce que la cuvette céramique repose parfaitement sur l'orifice de drainage.

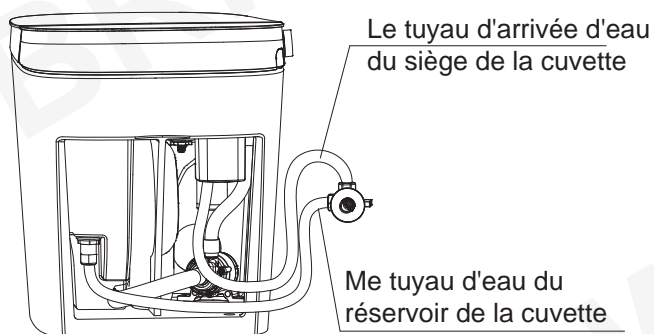
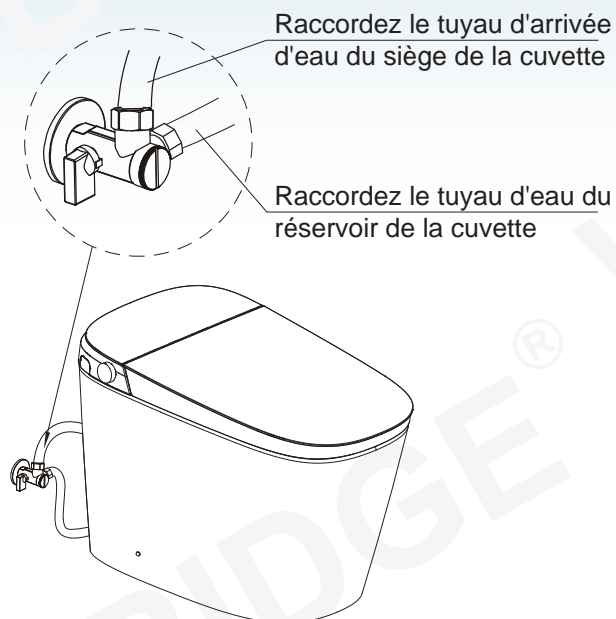
6. Installation des vis

- Placez la vis dans le manchon de fixation, puis installez-la dans les trous (sur les deux côtés de la cuvette céramique) jusqu'au support de montage au sol. Verrouillez bien.
- Placez le capuchon décoratif sur le manchon de fixation.



7. Raccordement des tuyaux

- Raccordez le tuyau d'eau du réservoir de la cuvette et le tuyau d'arrivée d'eau du siège des toilettes à la vanne d'angle à trois voies, comme indiqué sur la figure.

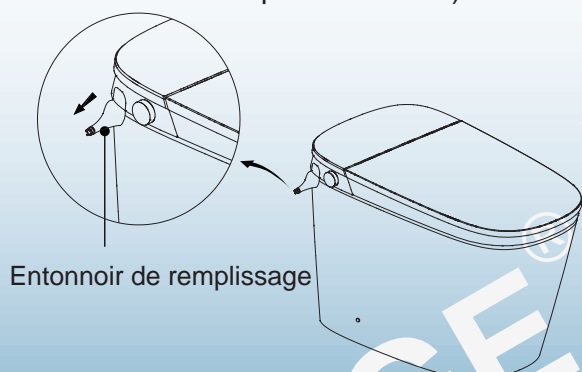


Vérifiez les raccordements arrière de la toilette pour détecter toute fuite.

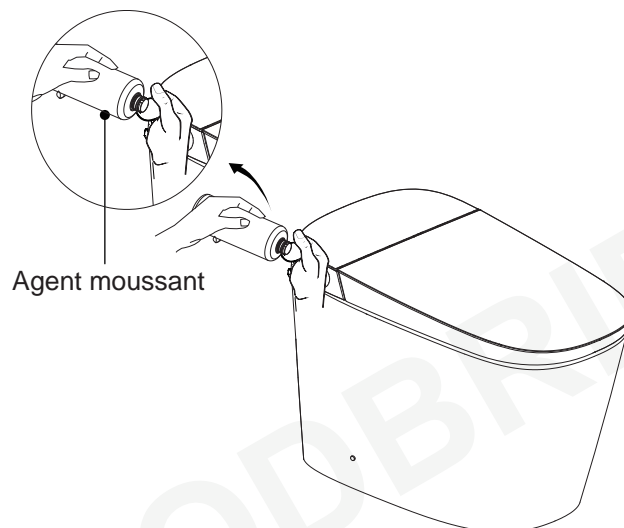
Vérifiez si ces tuyaux sont correctement raccordés. En cas de fuite, serrez à nouveau les connexions.

8. Ajoutez un agent moussant (veuillez acheter dans un magasin local)

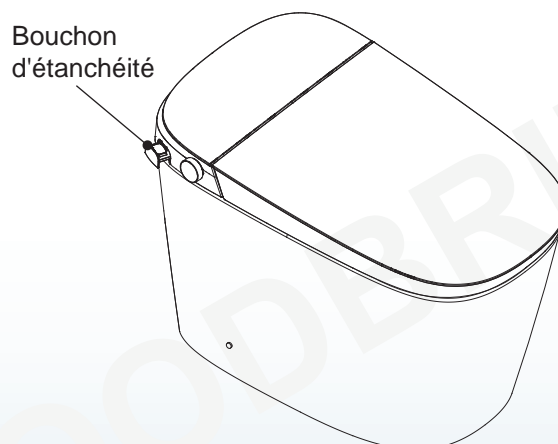
- Utilisez vos doigts ou des outils pour atteindre le dessous de la boîte de remplissage et tirez la boîte de remplissage. (il est recommandé d'utiliser un entonnoir de remplissage, comme indiqué ci-dessous)



- Placez l'entonnoir dans l'orifice de remplissage, tenez-le et versez lentement la mousse liquide dans l'entonnoir avec l'autre main. (Ne versez pas rapidement la mousse liquide dans l'entonnoir pour éviter que la mousse liquide ne déborde)



- Refermez le bouchon de fermeture et appuyez fermement, puis poussez le tiroir de remplissage jusqu'au bout. (Si la mousse liquide déborde pendant le processus d'ajout de liquide, utilisez un papier pour sécher le liquide avant de le pousser).

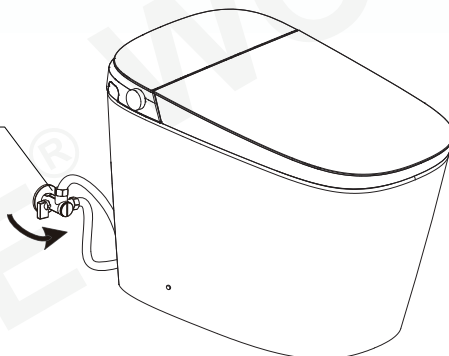


Rappel : Afin d'obtenir le meilleur effet et de prolonger la durée de vie de l'écran de mousse, veuillez utiliser notre agent moussant spécial pour la cuvette intelligente.

1. Ouvrez la vanne d'angle à trois voies

- Veuillez vérifier l'étanchéité du raccord fileté. Veuillez tourner la vanne d'angle à trois voies dans le sens inverse des aiguilles d'une montre jusqu'à la position d'ouverture complète. (Remarque : Le vanne d'angle trois voies s'ouvre pour la première fois avec un couple important).

Équipé d'une vanne d'angle à trois voies



2. Raccordement électrique

- Veuillez insérer la fiche de protection contre les fuites dans la prise de courant, appuyez sur l'interrupteur de réinitialisation, l'indicateur de la fiche s'allume pour indiquer que l'appareil est sous tension.

Remarque :

Veuillez appuyer sur la touche de test avant l'utilisation, l'interrupteur de réinitialisation s'ouvre pour indiquer que la fonction de protection contre les fuites est normale.

Appuyez sur le bouton TEST (puis sur le bouton RESET) tous les mois pour vous assurer du bon fonctionnement de l'appareil.



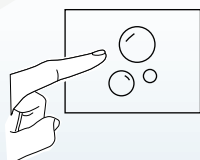
Indicateur lumineux
Interrupteur de réinitialisation
Détection du courant
Bouton de test

- * Uniquement pour les modèles équipés d'une fiche de protection contre les fuites.
- * Veuillez vous référer au produit réel.

3. Auto-contrôle

- Le buzzer de l'unité principale émet un bip, l'indicateur de l'icône de fonction et l'indicateur du bouton s'allument, et l'auto-test commence.
- Le buzzer de l'unité principale émet un nouveau bip, l'indicateur de l'icône de fonction et l'indicateur du bouton fonctionnent normalement, l'autotest est terminé.
- Le mode de fonctionnement est activé et utilisé normalement.

4. Activez la fonction de bouclier en mousse



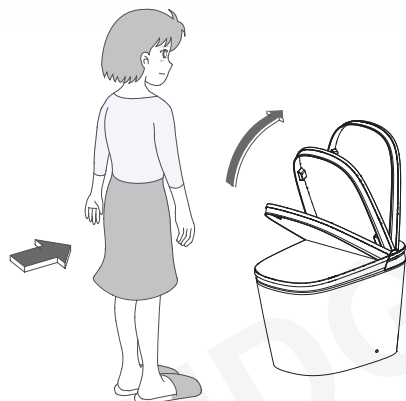
Appuyez longuement sur la touche "NETTOYER A MOUSSE" de la télécommande jusqu'à ce que la mousse sorte, puis relâchez-la pour terminer l'action de "pompage".

- Avant la première mise en service du bouclier en mousse, l'agent moussant doit être pompé dans le bouclier en mousse à l'aide de la commande "pomper le liquide".

Conseils :

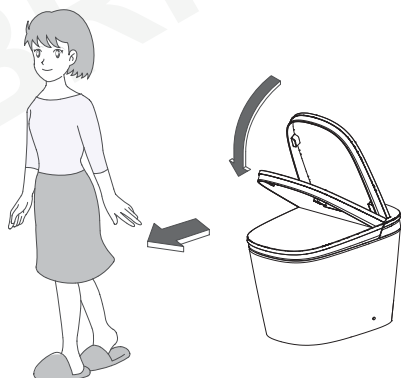
1. Après avoir exécuté la commande "pomper le liquide", il est normal de constater une grande quantité de mousse lors de la première utilisation du bouclier en mousse.
2. Cette opération n'est utilisée que dans deux cas : lorsque la cuvette vient d'être installée ou lorsque l'agent moussant est épuisé et doit être remplacé. L'utilisation de cette opération en dehors de ces situations entraînera un gaspillage d'agent moussant.

La cuvette intelligente peut assurer la fonction d'ouverture/fermeture automatique du couvercle. En situation de fermeture, veuillez activer la fonction d'ouverture/fermeture automatique du couvercle à l'aide de la télécommande.



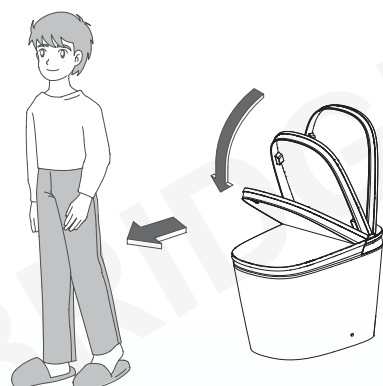
1. Approchez la cuvette

Lorsque l'utilisateur entre dans la zone de détection, le couvercle du siège s'ouvre automatiquement.



2. Éloignez de la cuvette

Après qu'une personne a quitté les toilettes, si le micro-ondes détecte une inactivité humaine pendant un certain temps, le couvercle des toilettes se ferme automatiquement.

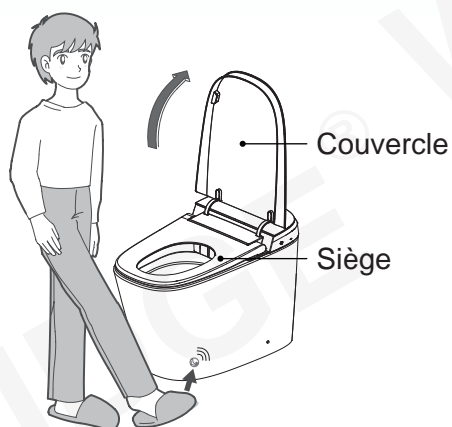


3. Se lever pour uriner

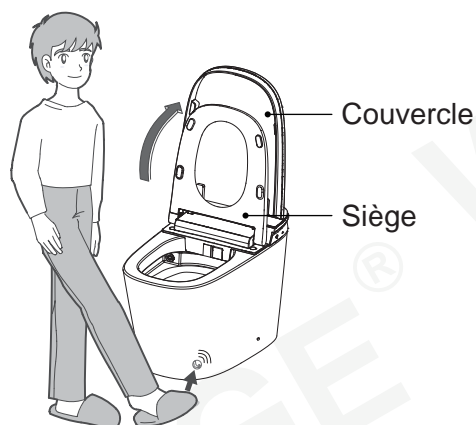
1. Ouvrez le siège à l'aide de la télécommande ou à la main.
2. Après avoir quitté les toilettes, si le four à micro-ondes détecte une inactivité humaine pendant un certain temps, le couvercle et le siège des toilettes se fermeront automatiquement.

La cuvette est équipée d'une fonction de détection du pied pour ouvrir le couvercle automatiquement en détectant le mouvement du pied.

1. Lorsque le couvercle et le siège sont tous deux fermés, touchez la zone de détection avec le pied pour ouvrir le couvercle.



2. Lorsque le couvercle est ouvert et que le siège est fermé, touchez la zone de détection avec votre pied pour ouvrir le siège

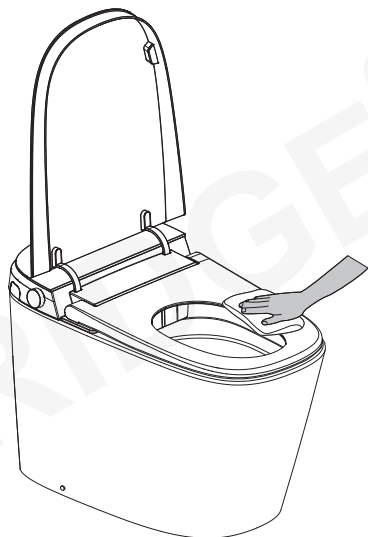


3. Lorsque le siège et le couvercle sont tous deux ouverts, touchez la zone de détection avec votre pied pour fermer le siège et le couvercle, et activer une demie-chasse d'eau.



Entretien et maintenance de l'unité principale

1. Veuillez couper l'alimentation électrique avant l'entretien.
2. Veuillez utiliser uniquement un chiffon doux et humide pour le nettoyage. Veuillez ne pas utiliser des produits chimiques agressifs.

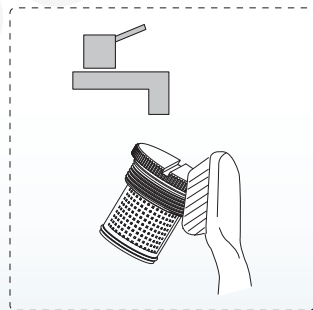
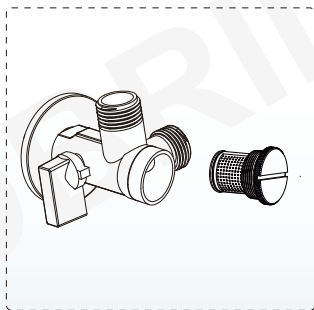


3. Une fois le nettoyage terminé et toutes les surfaces sèches, rebranchez la prise d'alimentation.

Maintenance du filtre

Si une mauvaise performance de pulvérisation se produit dans des conditions normales :

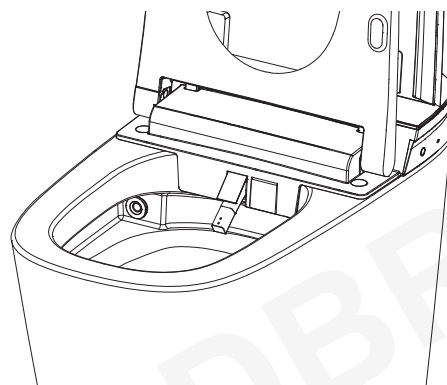
1. Coupez l'alimentation électrique et le vanne d'arrêt.
2. Dévissez l'écrou de la vanne d'angle
3. Retirez le filet filtrant



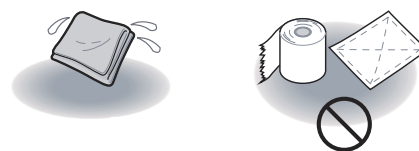
4. Nettoyez le filet filtrant sous l'eau courante à l'aide d'une brosse à dents.
5. Réinstallez le filet filtrant et l'écrou de la vanne d'angle
6. Ouvrez la vanne d'angle et branchez l'alimentation électrique.

Entretien et maintenance de la buse de pulvérisation

1. Lorsque personne n'est assis, tournez le bouton dans le sens des aiguilles d'une montre. La buse s'étire automatiquement pour permettre l'accès au nettoyage.
2. Lorsque la buse se déplace vers l'avant, elle peut être démontée pour être nettoyée.



3. Veuillez utiliser uniquement un chiffon doux ou une brosse douce pour nettoyer. Veuillez ne pas tirer la lance afin d'éviter de l'endommager.

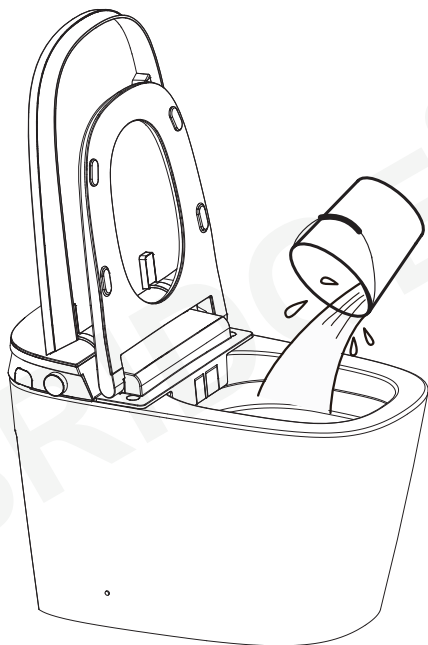


4. Veuillez remettre la buse en place et appuyer sur le bouton pour remettre la lance dans sa position normale.

Panne d'électricité et d'eau

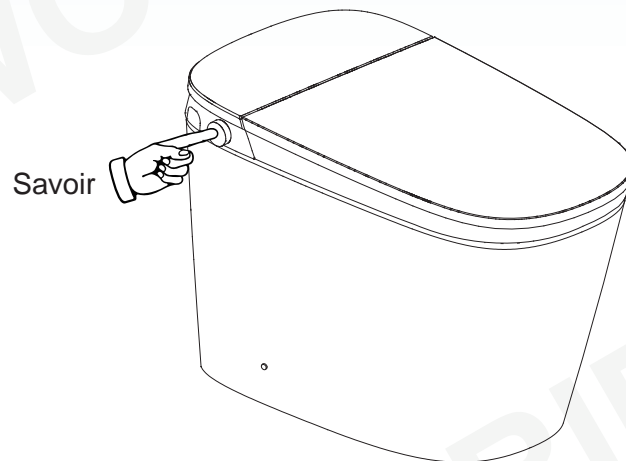
- Veuillez verser environ 2,1 Gal (8 L) d'eau et rincer la cuvette céramique.

Remarque : Évitez les fuites d'eau dans la cuvette.



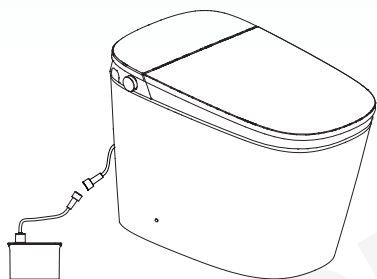
Défaillance de la télécommande

1. Commandez par la touche de l'unité principale



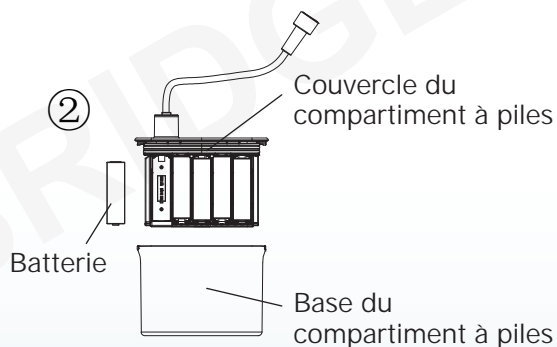
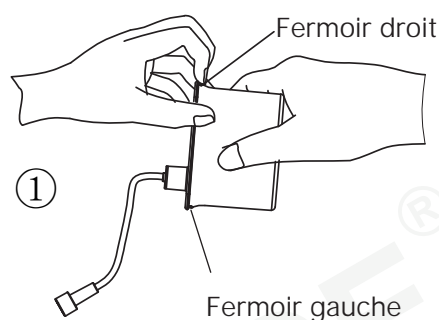
2. Remplacement de la pile

- Retirez le boîtier de la batterie à l'arrière de la céramique (comme indiqué sur l'image).



- Méthode d'installation des piles sèches

- ① Déverrouillez les fermons gauche et droit du compartiment à piles pour séparer le couvercle et la base.
- ② Installez 10 piles AA neuves en respectant les polarités « + » et « - » indiquées dans le compartiment, puis verrouillez solidement le couvercle sur la base.



Des conseils bienveillants:

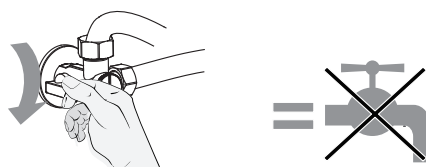
Si vous utilisez la " fonction de rinçage hors tension " et que vous remarquez que la veilleuse clignote plusieurs fois avant de s'éteindre, cela indique que la pile est faible.

Produit inutilisé pendant un certain temps

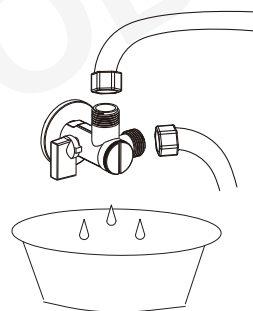
- En cas de non utilisation pendant une longue période, particulièrement en hiver, veuillez vider l'eau du réservoir et du tuyau afin d'éviter le gel.

Pour décharger l'eau

1. Pour empêcher l'entrée d'eau, veuillez activer la chasse d'eau, et fermer la vanne d'angle.



2. Débranchez et déconnectez l'électricité.
3. Débranchez le tuyau de la vanne d'angle, videz l'eau et rebranchez-le.



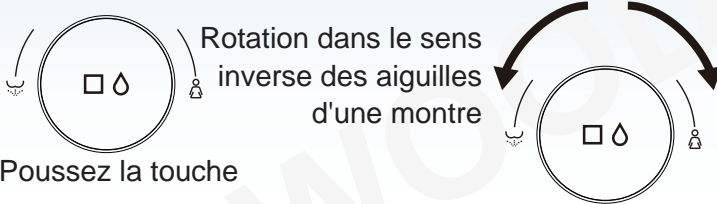
4. Afin de garantir votre sécurité, il est vivement conseillé d'ajouter de l'antigel à l'eau restante dans la cuvette.

Remarque :

Veuillez rétablir l'alimentation électrique et l'alimentation en eau avant de réutiliser l'appareil.

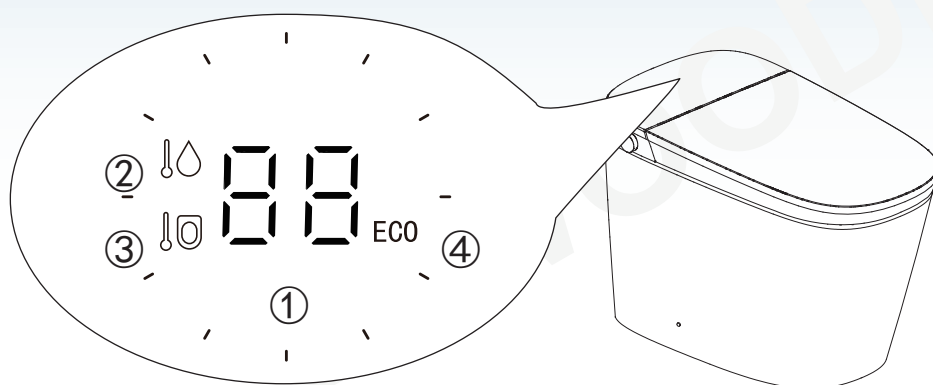


Remarque : Avant l'évacuation de l'eau, l'alimentation électrique doit être coupée !

<p>Définition du bouton</p> <p>Fonction du bouton</p>		<p>Indicateur du bouton</p>
<p>Rinçage arrière/rinçage avant</p>	<p>Lorsque vous êtes assis, tournez le bouton dans le sens horaire pour activer la fonction de lavage avant (lavage frontal) ou dans le sens antihoraire pour activer la fonction de lavage arrière (lavage dorsal). La soufflerie d'air chaud se met automatiquement en marche après le lavage. Pour interrompre le lavage en cours, appuyez brièvement sur le bouton.</p>	
<p>Réglage de la position de la buse et de la pression de l'eau de rinçage</p>	<p>Lors du rinçage arrière/avant, tournez le bouton dans le sens des aiguilles d'une montre pour avancer la position de la buse, et tournez le bouton dans le sens inverse des aiguilles d'une montre pour reculer la position de la buse. Appuyez longuement sur le bouton pour passer au réglage de la pression de l'eau, tournez-le dans le sens des aiguilles d'une montre pour augmenter la pression de l'eau, dans le sens inverse des aiguilles d'une montre pour diminuer la pression de l'eau, appuyez longuement sur le bouton à nouveau pour passer au réglage de la position de la buse.</p>	
<p>Pour ajuster la sortie d'air et la vitesse du flux d'air</p>	<p>Maintenez le bouton enfoncé plus de 2 secondes en position assise (et sans fonction active) afin d'activer le mode vent fort. Dans ce mode, une pression brève sur le bouton arrête la fonction. Lorsque le vent fort est activé, tournez le bouton dans le sens horaire pour déplacer la sortie d'air vers l'avant ou dans le sens antihoraire pour la déplacer vers l'arrière. Un appui prolongé sur le bouton permet de basculer vers le réglage de la vitesse du vent : une rotation horaire augmente la vitesse, tandis qu'une rotation antihoraire la réduit. Maintenez à nouveau le bouton enfoncé pour revenir au réglage de la sortie d'air, puis une pression brève arrête complètement le mode vent fort.</p>	<p>BLANC</p>
<p>Nettoyage de la buse</p>	<p>Lorsque vous quittez le siège, tournez le bouton dans le sens des aiguilles d'une montre pour activer la fonction de nettoyage manuel de la buse ; appuyez brièvement sur le bouton pour désactiver la fonction de nettoyage manuel, et la buse se rétractera.</p>	
<p>Fonction de rinçage</p>	<p>En mode de fonctionnement normal, lorsqu'il n'y a pas de fonction de rinçage, de séchage ou de nettoyage des buses, appuyez brièvement sur la touche pour lancer la fonction de rinçage.</p>	
<p>Mode de fonctionnement</p>	<p>En mode veille, appuyez sur la touche pour passer en mode de fonctionnement normal.</p>	
<p>Mode veille</p>	<p>En mode de fonctionnement normal, Lorsque vous quittez le siège en mode de fonctionnement normal, appuyez longuement sur la touche pour mettre l'unité principale en mode veille. Cela désactivera toutes les fonctions et éteindra l'indicateur lumineux.</p>	<p>Mise hors tension</p>

Rappel :

1. Juste après le démarrage, la vitesse de séchage mobile par défaut est réglée sur le niveau 1, les autres fonctionnalités sont intermédiaires; si vous utilisez la télécommande, il sera réglé sur le rapport de fonction spécifié par celle-ci.
2. Enfin, lorsque l'appareil est hors tension, maintenez le bouton enfoncé pendant environ 3 secondes pour activer la fonction de rinçage.



L'autotest de mise sous tension est terminé.

① **88**

TEMPERATURE Lors du réglage de la température de l'eau, l'indicateur lumineux s'allume pour afficher la température de l'eau, tandis que lors du rinçage, c'est l'indicateur lumineux de la température de l'eau qui s'allume. La température normale est indiquée par [--].

②

Température de l'eau Lors du réglage de la température de l'eau, l'indicateur lumineux de la température s'allume ; pendant le rinçage, l'indicateur lumineux de la température s'allume également.

③


Température du siège Lorsque l'indicateur d'économie d'énergie est allumé, cela indique que l'appareil est entièrement en mode d'économie d'énergie.

④ **ECO**

Économie d'énergie Lorsque l'indicateur d'économie d'énergie est allumé, cela signifie que l'appareil est en mode d'économie d'énergie.

Autres Lorsque l'appareil n'est pas utilisé, tous les indicateurs s'éteignent après un certain laps de temps, et ils se rallument dès qu'une fonction est de nouveau utilisée.

Problème	Cause	Solution
Pas d'eau à la buse	Le tuyau d'alimentation en eau est plié	Redressez le tuyau pour éliminer le pli.
	Le vanne d'angle est fermé	Ouvrez la vanne d'angle.
	Une panne d'eau s'est produite	Rétablissez l'alimentation en eau
Mauvaise pulvérisation de l'eau	Le tuyau d'alimentation en eau est plié	Redressez le tuyau pour éliminer le pli.
	La vanne d'angle n'est pas complètement ouverte	Ouvrez complètement la vanne d'angle
	Le filtre est bouché	Nettoyez le filtre
Température de l'eau trop basse	La température de l'eau n'est pas réglée correctement	Ajustez la température de l'eau

Problème	Cause	Solution
Faible température du siège	La température du siège n'est pas réglée correctement	Ajustez la température du siège
	En mode veille ou en mode économie d'énergie	Passez en mode fonctionnel et attendez plus de 3 minutes.
Température du séchoir basse	La température du séchoir n'est pas réglée correctement	Ajustez la température du séchoir
Le séchoir ne souffle pas	En mode veille	Passez en mode de fonction pour utiliser la fonction de séchage
La buse de pulvérisation ne peut pas se rétracter	L'alimentation est coupée	Repoussez doucement la buse de pulvérisation et mettre le séchoir sous tension
	Coincées par les impuretés	Éliminez les impuretés
La buse de pulvérisation ne peut pas s'étirer	L'alimentation est coupée	Mettez l'appareil sous tension
	L'utilisateur n'est pas dans la zone de détection du siège	Ajustez la position sur le siège pour activer le capteur
La télécommande ne peut pas afficher	Le sens positif et négatif des piles est incorrect.	Rechargez la pile
	Pile faible	Remplacement des piles
Dysfonctionnement de la désodorisation	L'utilisateur n'est pas dans la zone de détection du siège	Ajustez la position sur le siège pour activer le capteur
	La fonction de désodorisation continue à fonctionner après le départ de l'utilisateur.	Il est normal que la fonction de désodorisation continue de fonctionner après le départ de l'utilisateur, pour une élimination complète des odeurs.
Le bouclier en mousse contient une petite quantité de mousse	Il n'y a plus d'agent moussant	Ajoutez de l'agent moussant
Après le remplacement de l'agent moussant, la quantité de mousse produite par le bouclier est faible.	Il y a de l'air dans la conduite du bouclier en mousse après l'épuisement de l'agent moussant.	Exécutez la commande "pompage" pour pomper l'agent moussant dans le bouclier en mousse.
La vidange manuelle ne fonctionne pas en cas de panne de courant.	Batterie déchargée ou faible.	Remplacer les piles pour activer la fonction de vidange en cas de panne de courant.
 Attention	Si le problème ne peut être résolu par les solutions ci-dessus, veuillez débrancher l'appareil et contacter un prestataire de services.	
	Si l'interrupteur de protection contre les fuites d'électricité se déclenche en permanence, cela signifie que le produit fuit. Débranchez l'appareil et contactez votre fournisseur de services.	

Woodbridge garantit que les produits énumérés ci-dessous sont exempts de tout défaut de matériau et de fabrication, sous réserve des limitations stipulées dans la présente garantie limitée.

- Baignoire, baignoire de massage à remous/à bulles d'air, baignoire à immersion froide, Baignoire en bois: 1 an de garantie contre les défauts de matériaux et de fabrication.
- Salle de sauna et tente de sauna: 1 an de garantie contre les défauts de matériaux et de fabrication.
- Toilettes et bidet: 1 an de garantie contre les défauts de matériaux et de fabrication.
- Robinetterie: 1 an de garantie contre les défauts de matériaux et de fabrication.
- Meuble-lavabo et dessus de meuble-lavabo: 1 an de garantie contre les défauts de matériaux et de fabrication.
- Dessus de meuble-lavabo en granit, en marbre ou en quartz reconstitué: 1 an de garantie contre les défauts de matériaux et de fabrication.
- Armoire à pharmacie, miroir à DEL: 1 an contre les défauts de matériaux et de fabrication.
- Évier en acier inoxydable: 1 an de garantie contre les défauts de matériaux et de fabrication.
- Panneau de douche en surface solide et receveur de douche en SMC : garantie limitée de 10 ans contre tout défaut de matériau.
- Couvercle de drain et drain en PVC: garantie limitée de 1 an contre les défauts de matériaux et de fabrication.
- Porte de douche: garantie à vie sur les composants en verre et garantie limitée à 1 an sur les autres éléments de quincaillerie.

Cette garantie limitée n'est pas transférable et ne s'applique qu'aux produits achetés et installés aux États-Unis et au Canada.

Cette garantie limitée exclut toute utilisation industrielle, commerciale ou professionnelle. Une preuve d'achat (reçu de vente original) du premier acheteur, ainsi qu'une description et des photos du défaut, le numéro de modèle ou la description du modèle doivent être fournis à Woodbridge Bath pour toute réclamation au titre de la garantie. Woodbridge Bath n'est PAS responsable des coûts de main-d'œuvre, ni des frais de dépose ou d'installation.

Cette garantie limitée ne s'applique pas aux produits ayant fait l'objet d'un accident, d'une négligence, d'une installation incorrecte, d'un abus ou d'une mauvaise utilisation du produit, ou de l'utilisation de nettoyeurs contenant des abrasifs, de l'alcool ou d'autres solvants organiques, que cette utilisation soit effectuée par un entrepreneur, une société de service ou vous-même.

Cette garantie ne couvre pas les dommages de surface causés par l'utilisation de produits chimiques qui percent ou dissolvent la finition de la surface ou les dommages causés par la chute accidentelle d'objets lourds ou tranchants. Un mauvais entretien et l'utilisation de nettoyeurs abrasifs annulent la garantie.

Pendant cette période de garantie limitée, si un dysfonctionnement se produit et qu'après inspection il est déterminé qu'un défaut est apparu lors d'une utilisation normale, Woodbridge se réserve le droit, à sa discrétion, de prendre l'une des actions suivantes :

- (1) réparer ou remplacer la ou les pièces ou le ou les produits défectueux au prix coûtant**
- (2) rembourser le prix d'achat initial du ou des produits (valable dans un délai de 30 jours à compter de la date d'achat)**
- (3) émettre un crédit à appliquer à l'achat d'un nouveau produit. Des frais d'expédition ou de livraison peuvent s'appliquer. La décision d'imposer de tels frais, ainsi que leur montant et les conditions dans lesquelles ils s'appliquent, relève exclusivement de la discrétion de Woodbridge.**

Attention:

N'UTILISEZ JAMAIS de produits nettoyeurs contenant des abrasifs, de l'ammoniaque, de l'eau de Javel, des acides, des cires, de l'alcool, des solvants ou tout autre produit non recommandé pour les finitions chromées. Le non-respect de cette instruction entraînera l'annulation de la garantie.

Woodbridge recommande fortement que l'installation soit effectuée par un professionnel qualifié et assuré afin d'assurer la performance et la sécurité du produit.

RESPONSABILITÉS D'AUTRUI

L'inspection de l'appareil avant son installation incombe à l'installateur ou à l'entrepreneur en bâtiment qui agit au nom de l'utilisateur. Il doit s'assurer que l'appareil ne présente aucun défaut ou dommage. Des avis sont placés sur l'appareil et sur le carton d'expédition pour informer l'installateur de cette responsabilité. En cas de problème, l'appareil ne doit pas être installé. Woodbridge n'est pas responsable des défaillances ou des dommages qui auraient pu être découverts, réparés ou évités par une inspection et des essais appropriés avant l'installation. Les dommages survenus pendant le transport relèvent de la responsabilité du transporteur.

L'installateur DOIT ouvrir la caisse et inspecter l'appareil pour vérifier qu'il n'est pas endommagé lors de la livraison. Si des dommages sont constatés, ils doivent être immédiatement signalés par écrit au vendeur et au transporteur, et une inspection doit être demandée. L'absence de réponse du transporteur doit être signalée au vendeur et au transporteur. Les réclamations concernant le fret doivent être déposées sans délai.

Cette garantie limitée ne couvre pas la responsabilité pour les dommages consécutifs ou accessoires, qui sont tous expressément rejetés par la présente, ou l'extension au-delà de la durée de cette garantie limitée de toute garantie limitée implicite, y compris celles de la qualité marchande ou de l'adéquation à l'usage prévu.

CLAUSE DE NON-RESPONSABILITÉ

Sauf disposition expresse, il n'existe aucune garantie ou obligation, expresse ou implicite, orale ou statutaire. Aucun revendeur ou autre personne n'est habilité à donner des garanties ou à faire des déclarations concernant ses produits. En aucun cas, nous ne pourrions être tenus responsables de telles garanties ou représentations.

Certains États/provinces n'autorisent pas la limitation de la durée d'une garantie implicite, ni l'exclusion ou la limitation des dommages spéciaux, accessoires ou indirects, de sorte que ces limitations et exclusions peuvent ne pas s'appliquer à vous. Cette garantie vous donne des droits légaux spécifiques, vous pouvez également avoir d'autres droits qui varient d'un état/province à l'autre.

Pour bénéficier de la garantie et obtenir des pièces de rechange, veuillez envoyer un courrier électronique à help@woodbridgebath.com en joignant les informations du reçu original. Woodbridge déterminera s'il convient de réparer ou de remplacer votre produit, de le rembourser ou de lui accorder un crédit.

IMPORTANT!

N'UTILISEZ PAS: Des nettoyants abrasifs tels que l'acide, l'ammoniaque, l'eau de Javel et autres solutions similaires. L'utilisation de telles solutions peut provoquer de la corrosion, un décollement de la finition et/ou un ternissement de la surface.

N'UTILISEZ PAS: Des éponges ou des tissus abrasifs. N'utilisez jamais d'objets tels que de l'acier, de la laine ou des brosses métalliques qui rayeraient de façon permanente la surface du produit.

Conservez ces instructions d'installation pour vous y référer ultérieurement!

Merci d'utiliser les produits WOODBRIDGE!

WOODBRIDGE®

Canada (Ontario) Centre de distribution
615 Orwell Street, Unit C, Mississauga, ON L5A2W4, Canada

California (Norwalk) Centre de distribution
15600 Blackburn Ave, Norwalk, CA 90650

New Jersey (Somerset) Centre de distribution
635 Pierce St, Somerset, NJ 08873

Floride (Orlando) Centre de distribution
13645 S Orange Ave, Orlando, FL 32824

**SCANNEZ
-MOI**

**Pour activer
la garantie**



Si vous avez des questions ou des préoccupations, n'hésitez pas à nous contacter.

Téléphone du service à la clientèle: 562 -229 -0088.(9 h à 17 h, heure normale du Pacifique, du lundi au vendredi) ou par courriel à: help@woodbridgebath.com