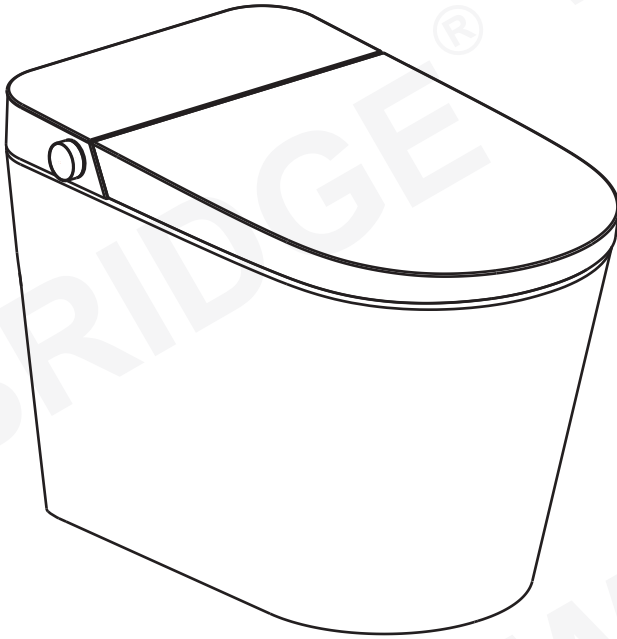


# INSTALLATION AND CARE GUIDE

## ELECTRONIC BIDET TOILET

**WOODBIDGE®**

Model: **GT090**



To Activate  
Warranty



Compliance with the following codes & standards:

- 2015 Uniform Plumbing Code® (UPC)
- 2018 International Plumbing Code® (IPC)
- 2018 International Residential Code® (IRC)
- ASME A112.4.2-2021/CSA B45.16:21 Personal Hygiene Devices for Water Closet
- ASME A112.19.2-2024/CSA B45.1:24 Ceramic Plumbing Fixtures



**READ ALL INSTRUCTIONS BEFORE UNPACKING THE PRODUCT**

INSTRUCTIONS THAT, IF IGNORED COULD RESULT IN DEATH OR SERIOUS INJURY CAUSED BY INCORRECT HANDLING OR INSTALLATION OF THE PRODUCT. THESE INSTRUCTIONS MUST BE OBSERVED FOR SAFE INSTALLATION.

**CAUTION!**



**TWO PERSON  
LIFT REQUIRED**

**2 PEOPLE ARE REQUIRED TO LIFT AND COMPLETE  
INSTALLATION OF THIS PRODUCT**



**INSTALLATION OF THIS PRODUCT BY AN  
INEXPERIENCED INSTALLER MAY RESULT  
PERSONAL INJURY OR DEATH!**



We reserve the right to change, update, modify, alter, redesign this manual/product or its policies without prior notice!

We shall not be liable for any injuries or property damages in connection with this product during installation or use of this product!

- Woodbridge strongly recommends installation by a licensed and insured professional to ensure proper performance and safety.
- We are not responsible for local code compliance for this product. Building and plumbing codes may vary from state-to-state in accordance with your location. We are not responsible for providing any compliance certifications.
- Under no circumstances shall we be liable for any and all incidental damages sustained in connection with this product. Neither manufacturer, distributor, nor retailer is responsible for water damage or flood caused due to use of this product.
- Under no circumstances shall we be liable for any and all fees, cost of installation/reinstallation/removal, subsequent damage or transportation in case of the product defect.

## SAFETY INSTRUCTIONS

Read all instructions carefully before installation and use. Failure to follow these safety precautions may result in electric shock, fire, property damage, or serious injury.

### Electrical Safety

- This product must be connected to a dedicated 110–120V, 50Hz- 60Hz GFCI-protected outlet with a minimum 15A load.
- Do not use extension cords, splitters, or loose sockets.
- Ensure the outlet is properly grounded. If unsure, contact a qualified electrician.
- Unplug immediately if the product falls into water or becomes wet.
- Never open, modify, or repair this product yourself. Contact a licensed service technician.
- Always unplug before cleaning or servicing.
- Do not use the unit during a thunderstorm.
- Keep the power plug and outlet dry at all times.

### Water & Installation Safety

- Install the toilet in a dry, indoor location. Do not expose to rain or standing water.
- Use only tap water within 41°F–104°F (5°C–40°C).
- Do not connect to a hot-water line or water heater outlet.
- Avoid water temperatures below 32°F (0°C). Drain the tank and hose if freezing may occur.
- Use only new hoses and fittings provided with the product. Do not reuse old parts.
- Do not embed the toilet base in cement or mortar; it may crack the ceramic body.
- Do not install near flammable materials or heat sources.

### Usage & Maintenance Safety

- Do not stand, sit, or place heavy objects on the lid or seat.
- Do not allow children to play with the product.

- People with limited mobility, sensory, or mental ability should use only under supervision.
- Avoid using harsh chemicals, solvents, or abrasives for cleaning. Use a soft cloth and mild, non-corrosive cleaner.
- Do not spray or pour water or detergent directly onto the unit.
- If any function fails or an abnormal smell/sound occurs, stop use and unplug immediately.
- Disconnect the power and water supply if not used for a long period.

## Important

- Installation must be completed by a licensed and insured plumber.
- Improper installation or use will void the warranty.
- WOODBRIDGE is not responsible for injuries or damage resulting from improper installation or use.

## TECHNICAL SPECIFICATIONS

Product Name	Electronic Bidet Toilet
Rated Voltage	110-120V
Rated Frequency	60Hz
Rated Power	1150W
Flush Volume	1.06GPF(4LPF)
Waterproof Level	IPX4
Warm Water Temperature	4 levels(Room Temperature to 104°F)
Warm Air Temperature	4 levels(Room Temperature to 140°F)
Heated Seat Temperature	4 levels(Room Temperature to 105°F)
Operating Temperature	41-104°F
Warm Water Heating Method	Instant Heating
Water Entry Temperature	33.8-95°F
Supply Water Pressure	11.6-73 PSI(0.08MPa-0.5MPa)
Codes/Standards	ASME A112.4.2-2021/CSA B45.16:21 ASME A112.19.2-2024/CSA B45.1:24

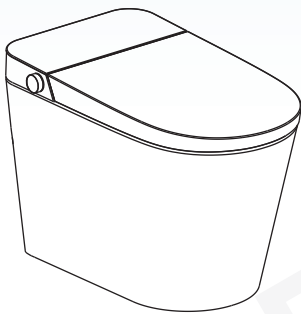
### \*Power value testing condition:

**Water Pressure:** 29 PSI(0.2 MPa), **Inlet Water Temperature:** 59°F

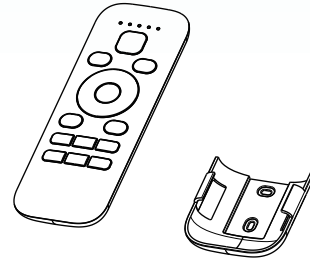
**Water Flow:** 0.17 gpm(650 ml/min)

- Maximum temperature of the water supplied by the product for hygiene purposes: 107°F.
- No further notice will be provided if any technical specifications change due to product improvements or technical updates. All actual technical specifications are subject to the final product.

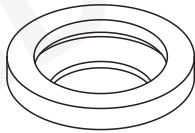
# PACKING LIST



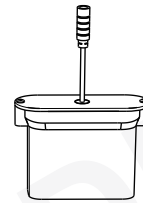
Main Unit



Remote Control and Holder



Wax Ring



16V Battery Box (Battery excluded)



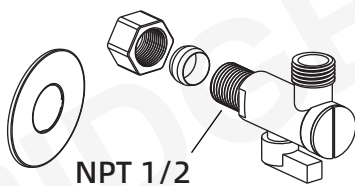
Installation Manual and Certificate of Competency



Aromatherapy Sheet



Adapter

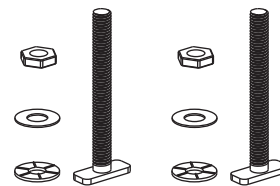


NPT 1/2

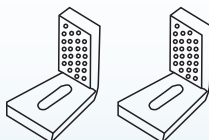
Angle Valve



Foam Solution



T-bolts



L-Bars

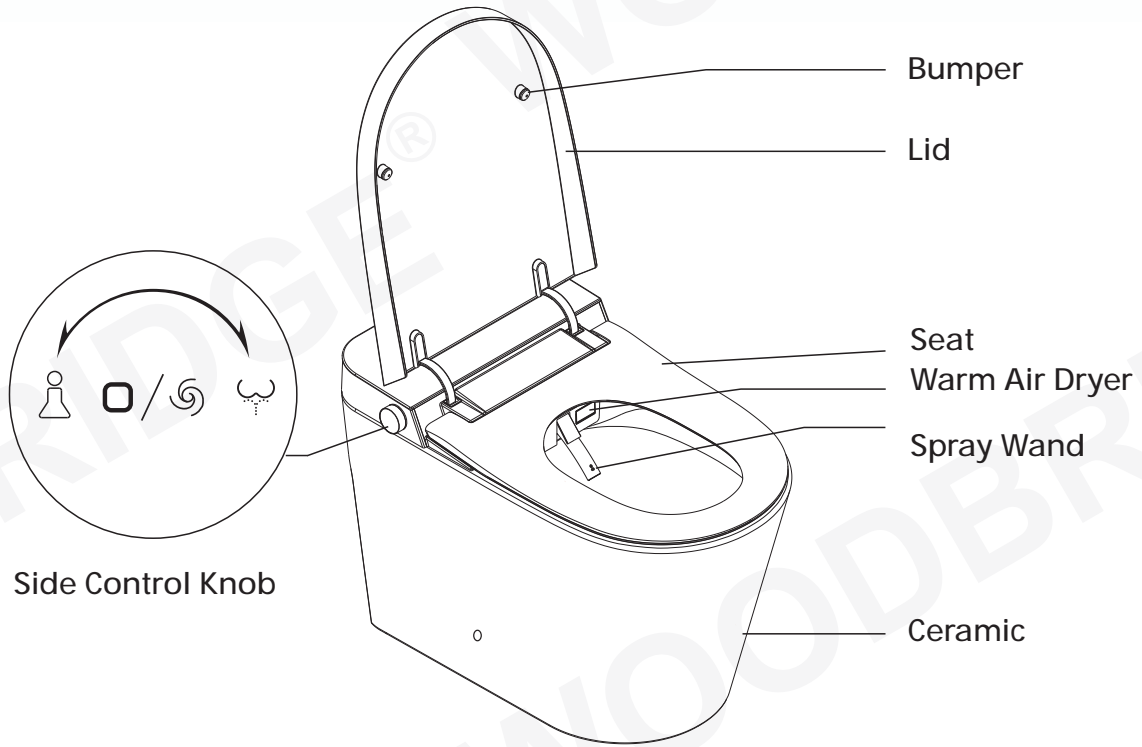


Cover Caps Screws Plastic Sleeves

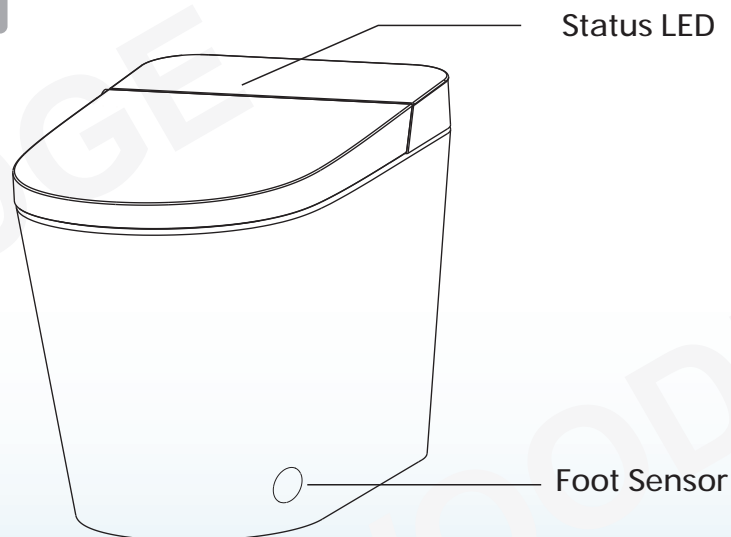
Note: Flange plate is not included and must be purchased separately.

# PART LIST

## Left Side



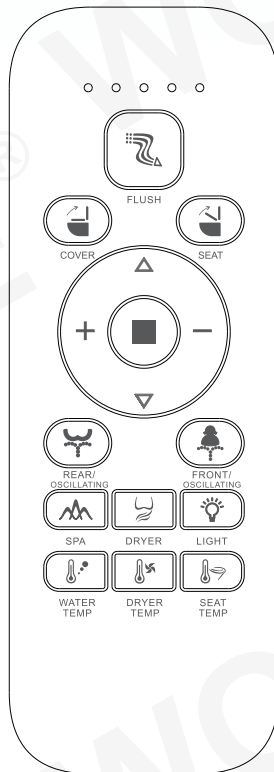
## Right Side



- The product drawing is for reference only. We reserve the right to modify the product's appearance. In case of any changes, the actual product shall prevail.

# PART LIST

## Remote Control



## Meanings of the icons on the remote control



FLUSH



COVER



SEAT



NOZZLE POSITION  
MOVE FORWARD



WATER PRESSURE  
INCREASE



STOP



NOZZLE POSITION  
MOVE BACKWARD



WATER PRESSURE  
DECREASE



REAR  
OSCILLATING



FRONT  
OSCILLATING



SPA



DRYER



LIGHT



WATER TEMP

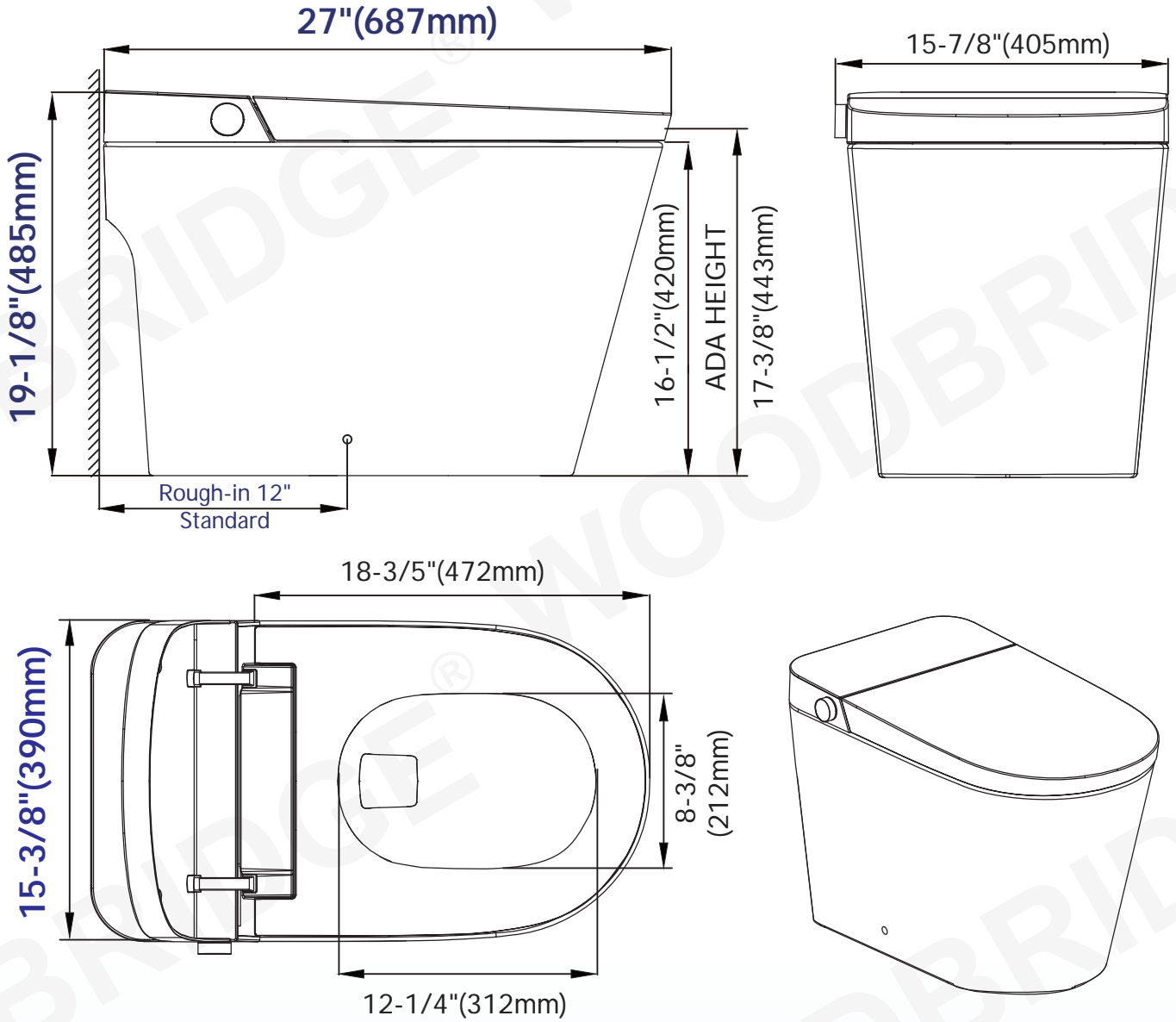


DRYER TEMP



SEAT TEMP

# DIMENSIONS



# TOILET INSTALLATION

## Required Tools:



Screwdriver



Tape measure



Wrench



Caulking gun

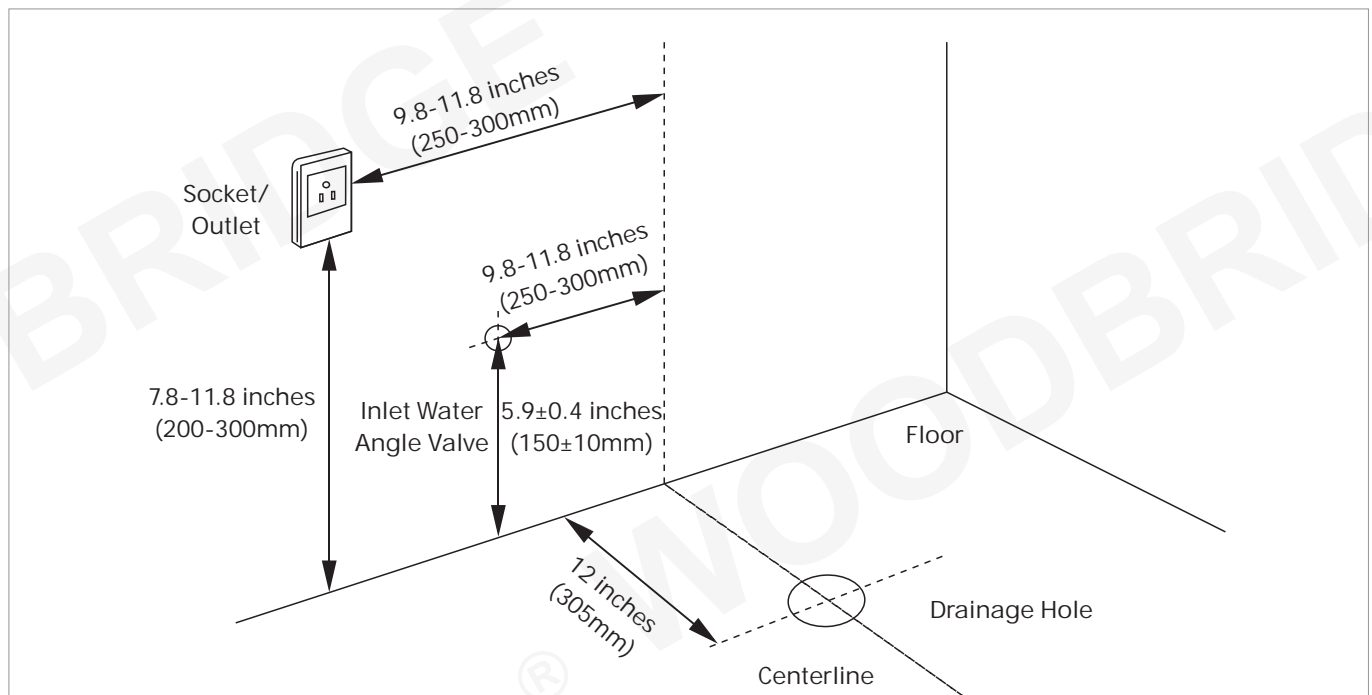


Marker



Electric drill

## Installation Diagram:



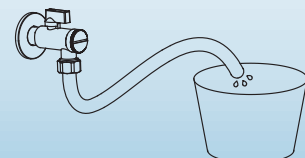
### WARNING

#### Power Outlet Installation Instructions:

- Ensure that the power outlet is properly grounded in accordance with applicable electrical codes.
- The location of the power outlet should be in close proximity to facilitate the installation and disassembly of this product, while also maintaining a safe distance from the bathtub area.
- It is strongly recommended to use a waterproof-type outlet. Do not use extension cords to connect this product. Failure to follow these instructions could result in fire or electrical shock.

## Pre-Installation Precautions:

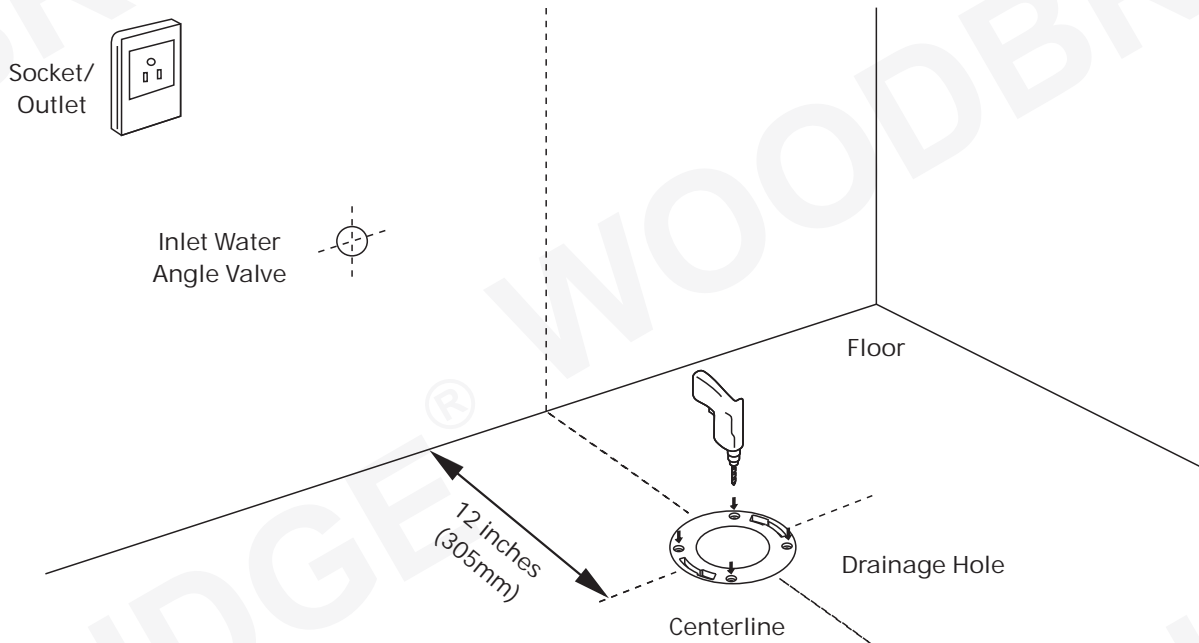
- Before installation, flush the pipe with water for 1 minute to remove any impurities remaining in the pipeline.



# TOILET INSTALLATION

## Installation Steps:

- 1. For a newly installed toilet in the bathroom, a flange plate needs to be added. (Flange plate is not included and installer has to purchase it for proper installation.)**
  - Place the flange plate into the drainage hole, aligning the arrow on the flange plate with the dashed line on the vertical wall. The center of the flange must align with the center line.
  - Use a marker to indicate the positions of the four installation holes on the flange plate.
  - Use a power drill to create four  $\Phi 6\text{mm}$  installation holes on the flange plate. Insert four corresponding plastic anchors.
  - Secure the flange plate in place using the provided four screws.

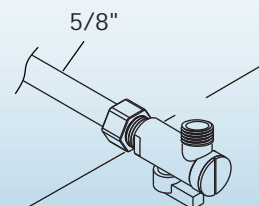
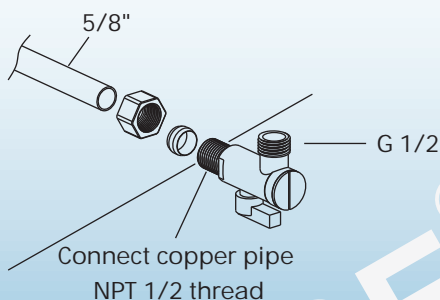


## 2. Install angle valve

### ■ 2.1 Installation Method 1:

2.1.1 Remove the copper sleeve and nut from the NPT 1/2 valve.

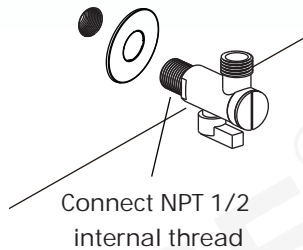
2.1.2 Insert the nut and copper sleeve into the copper tube in order, and then tighten the valve.



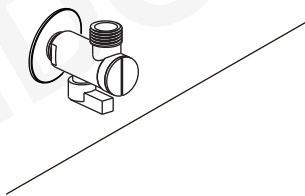
# TOILET INSTALLATION

## 2.2 Installation Method 2:

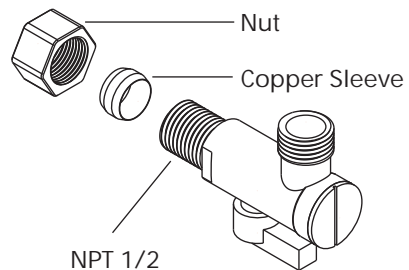
2.2.1 Remove the copper sleeve and nut from the NPT 1/2 valve.



2.2.2 Screw the valve into water outlet.



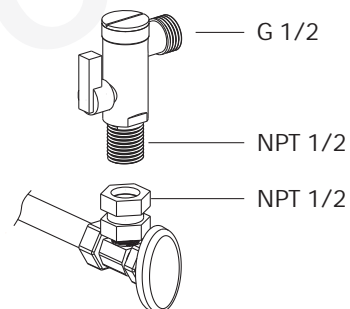
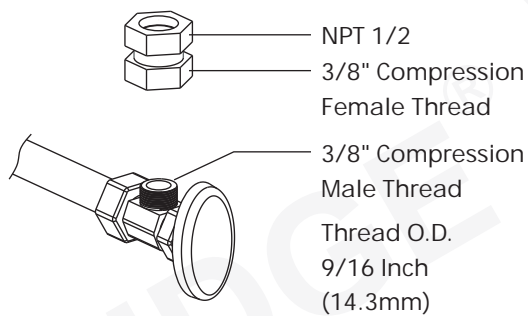
2.3.2 Remove the copper sleeve and nut from the NPT 1/2 valve.



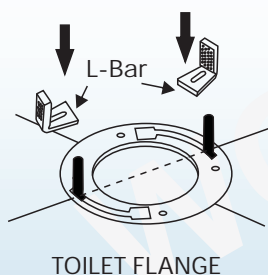
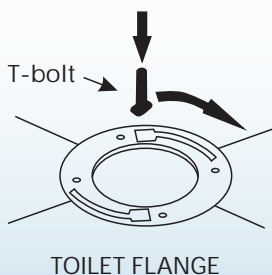
2.3.3 Wrap sealing tape around the NPT 1/2 thread of the valve, and then tighten the valve joint NPT 1/2 location.

## 2.3 Installation Method 3:

2.3.1 Wrap sealing tape around the 3/8" compression male thread of the valve and screw the adapter onto the valve.



## 3. Install the floor bolts and L-bar



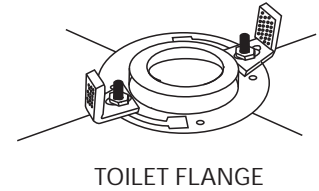
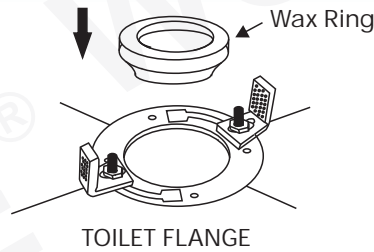
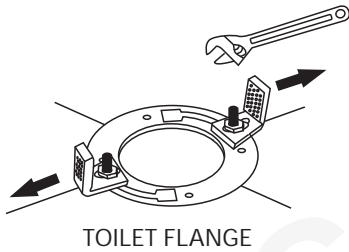
Note: The two screws and the center of the flange must be in a straight line

# TOILET INSTALLATION

## 4. Install the wax ring

Pull the L-bar to max distance, then tighten the nuts.

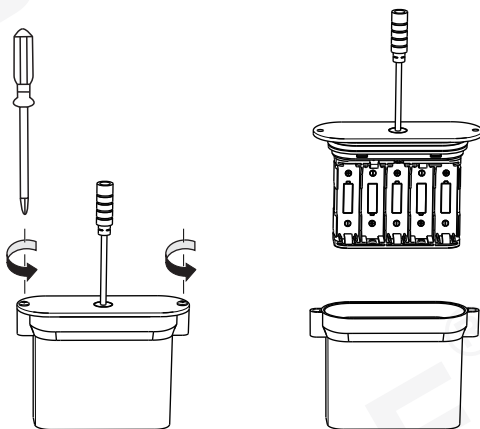
Put the wax ring on the flange



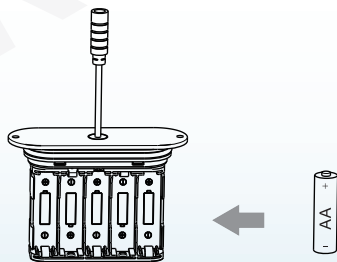
## 5. Install battery

5.1 Open the battery box with a phillips screwdriver.

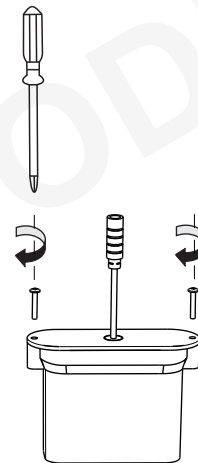
5.2 Pull out the shell of the battery box.



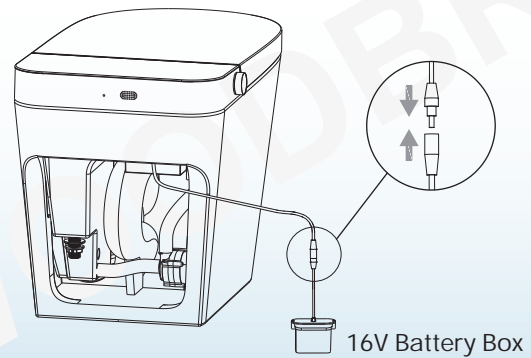
5.3 Install 10 AA batteries. (Ensure correct polarity when installing the batteries)



5.4 Put the two fixing screws back in place.



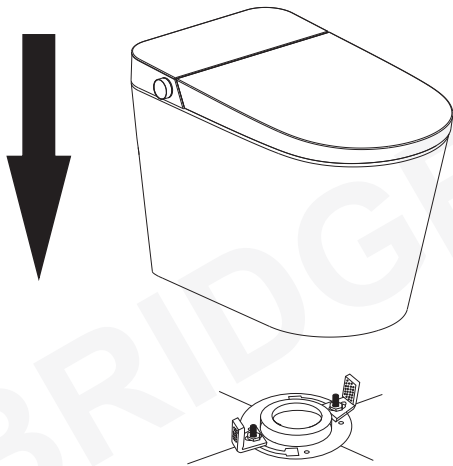
5.5 Find the lead wire of the battery box, connect the waterproof plug, and then place the battery box inside the ceramic.



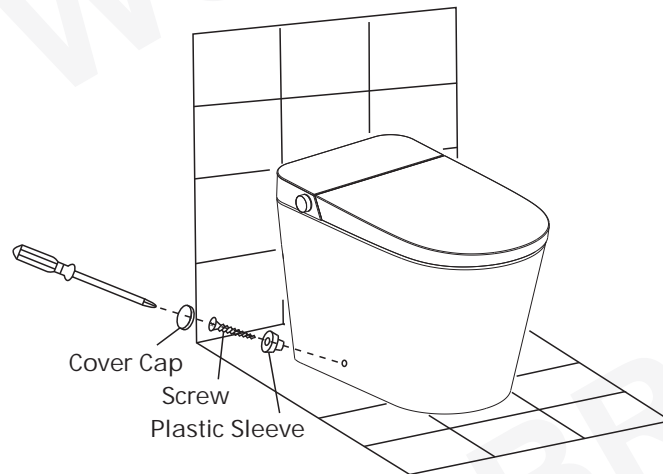
# TOILET INSTALLATION

## 6. Install the toilet

Carefully lower the toilet onto the flange and press firmly to secure it.

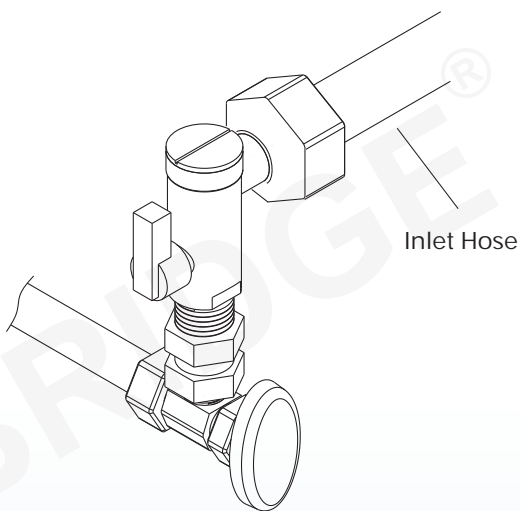


Place the washer and nut onto the T-bolt screw, then tighten securely.

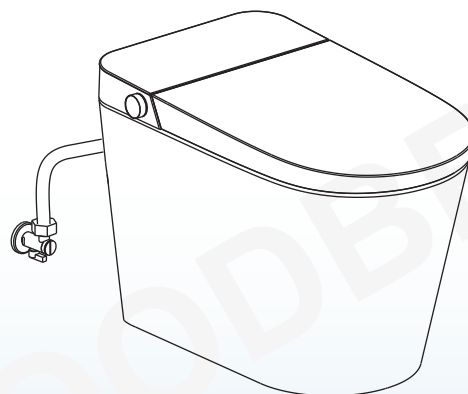


## 7. Connect the inlet pipe

7.1 Connect the water inlet hose.



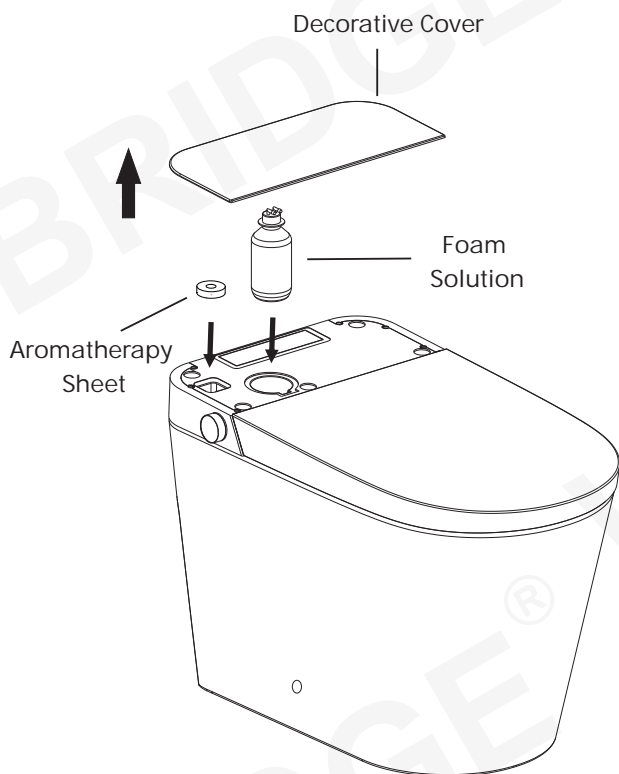
7.2 Apply a circle of anti-mold sealing silicone at the junction between the toilet and the floor. After the silicone sealant has solidified, plug in the power and slowly open the angle valve. Adjust the water pressure to within 80 PSI and check all connection points for leaks.



# TOILET INSTALLATION

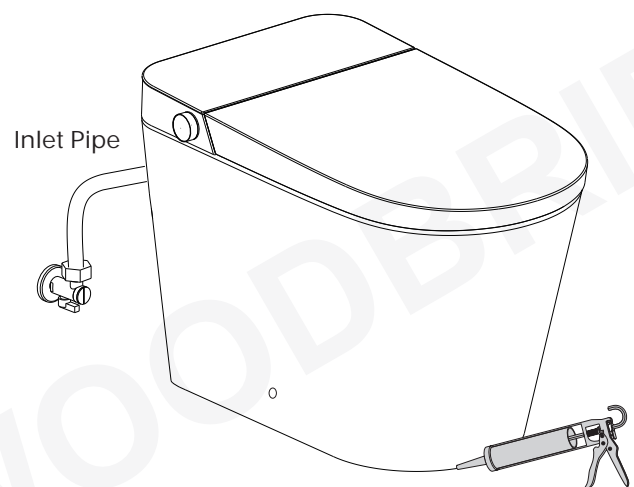
## 8. Install aromatherapy sheet and foam solution

Open the decorative cover, place the aromatherapy sheet in the corresponding position, Put in foam solution and screw on the bottle cap, and then install the decorative cover back.



## 9. Connect water pipes and apply sealant

Connect the water inlet pipe to the angle valve, and seal the joint between the toilet and the floor with a circle of mold-proof sealing silicone, and wait for the silicone to cure for 24 hours before it can be used.

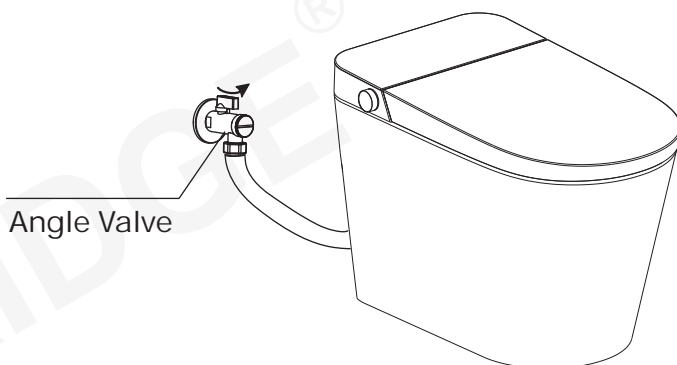


# BEFORE USING

## 1. Turn on the angle valve

- Check the threaded connection to ensure there are no leaks.
- Unscrew the angle valve counterclockwise to fully open it.

**(Tips: When opening the angle valve for the first time, the handle may require more torque.)**



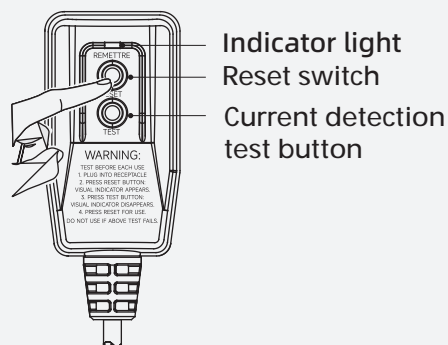
## 2. Power Connection

Insert the leakage protection plug into the power socket. Press the reset switch. The plug indicator lights up, indicating that the power is on.

### Tips:

- Before usage, press the electric leakage test button. The reset switch should pop up, indicating that the leakage protection function is normal.
- Press the TEST button (then the RESET button) once a month to ensure proper operation.







**Note:** Only applicable for models equipped with a leakage protection plug. Please refer to the actual product for details.




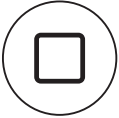





## 3. Self-inspection

- The main unit buzzer rings "beep" .
- After another "beep" from the buzzer, self-inspection is complete.
- Proceed to normal function mode for regular usage.

## FUNCTION DESCRIPTION

	<h3>Rear Wash/Oscillating</h3>
	<p>Rotate the control knob to the “<b>REAR</b>” mode, or press the “<b>REAR</b>” button on the remote control. The water spray from rear nozzle will start. Press the button again to activate the “<b>OSCILLATING</b>” mode, in which the washing area is expanded, and the water moves forward and backward. The washing function will automatically cease after 2 minutes.</p>
	<h3>Front Wash/Oscillating</h3>
	<p>Rotate the control knob to the “<b>FRONT WASH</b>” mode, or press the “<b>FRONT</b>” button on the remote control. Activation of the water spray from the front outlet of the wand will occur. Press the button again to activate the “<b>OSCILLATING</b>” mode, in which the washing area is expanded, and the water moves in a forward and backward motion. The washing function will automatically cease after 2 minutes.</p>
	<h3>Warm Air Dryer</h3>
	<p>The warm air dryer should be used after cleansing. Press and hold the knob for 3 seconds or press the “<b>DRYER</b>” button to activate the warm air dryer. The warm air dryer feature will automatically shut off after 3 minutes.</p>
	<h3>Flushing By Remote Control</h3>
	<p>Press the “<b>FLUSH</b>” button to manually flush the toilet. Press the “<b>FLUSH</b>” button twice quickly to initiate a low-volume water flush.</p>
	<h3>Water Temperature</h3>
	<p>Press the “<b>WATER TEMP</b>” button to adjust the cleaning water temperature. Press once to display the current temperature. Press again to adjust to the desired level.</p> <ul style="list-style-type: none"> <li>• There are 4 levels of water temperature(close/around 93°F - 104°F).</li> </ul>
	<h3>Warm Air Temperature</h3>
	<p>Press the “<b>DRYER TEMP</b>” button to adjust the air dryer temperature. Press once to display the current temperature. Press again to adjust to the desired level.</p> <ul style="list-style-type: none"> <li>• There are 4 levels of air temperature(close/around 122°F - 140°F).</li> </ul>

## FUNCTION DESCRIPTION

	<p><b>Seat Temperature</b></p> <p>Press the "SEAT TEMP" button to adjust the seat temperature. Press once to display the current temperature. Press again to adjust to the desired level.</p> <ul style="list-style-type: none"><li>• There are 4 levels of seat temperature(close/around 91°F- 105°F).</li></ul>
	<p><b>Stop</b></p> <p>Press the "STOP" button to terminate the function of "REAR/FRONT/DRYER".</p>
	<p><b>Auto Open/Close Lid</b> <b>(Only apply to model with the automatic lid open feature)</b></p> <p>Press the "COVER" button on the remote control to open/close lid.</p>
	<p><b>Auto Open/Close Seat</b> <b>(Only apply to model with the automatically seat open feature)</b></p> <p>Press the "SEAT" button on the remote control to open/close seat.</p>
	<p><b>Hot and Cold Water Massage</b></p> <p>Press the "SPA" button briefly during the cleansing feature to activate the massage, which alternates hot and cold water. Press the "STOP" button to terminate all features.</p>
	<p><b>Pulsate Massage</b></p> <p>Press and hold the "SPA" button for 3 seconds during the cleansing feature to activate the pulsate massage, with water pressure changing alternately. Press the "STOP" button to terminate all features.</p>
	<p><b>Night Light</b></p> <p>Press the "LIGHT" button on the remote control to open or close the nightlight.</p>

## FUNCTION DESCRIPTION

Note: Some functions described in this manual are available only on specific models. Please refer to your product model for the applicable features. If you have any questions, please contact WOODBRIDGE customer service.

### Adjusting Water Pressure

[ + (water pressure increase)/ - (water pressure decrease)]

Press the " + " or " - " icon to increase or decrease water pressure.

### Adjusting Nozzle Position

[ Δ move forward/ ▽ move backward]

Press the " Δ " or " ▽ " icon to adjust the wand position through 3 settings.

### Deodorizer

The deodorizer uses activated carbon and operates automatically, with no manual action required.

### Energy Saving Mode

When the intelligent toilet is not used for 1 hour, it will automatically enter energy-saving mode, and the seat temperature will automatically adjust to 91°F, entering a low-temperature setting. Upon being seated, it will reheat to the preset temperature.

### Automatic Flip Toilet Seat Cover

- The automatic flip toilet seat cover opens and closes by detecting the presence and movement of the human body.
- When the cover is opened, it will automatically close after 30 seconds once the user leaves.
- When the seat is lifted, both the seat and the toilet cover will automatically close and trigger a flush once the user leaves.
- If the flushing function has already been activated during use, no additional flush will occur after the cover is closed.

### Adjustable Sensor Distance for Lid Opening

- The default sensing distance for automatic lid opening is 15.7–23.6 in (40–60 cm). Six adjustable sensing distance levels are available within a range of 0–100 cm (0–39.4 in). Level 0 disables the motion sensor, while Levels 1 through 5 correspond to sensing distances of 20 cm (7.9 in), 40 cm (15.7 in), 60 cm (23.6 in), 80 cm (31.5 in), and 100 cm (39.4 in), respectively.
- Press and hold the " **COVER** " button on the remote for 3 seconds until you hear a beep, then release to enter adjustment mode.
- Press the " **SEAT TEMP** " button to increase one level, and press the " **WATER TEMP** " button to decrease one level.
- After completion, long press the " **COVER** " button to exit.
- Retest the sensing distance.

## FUNCTION DESCRIPTION

---

### Foot Sensor Flip the Cover And the Seat

- When the cover is closed, kick the foot sensor, it will automatically open the cover;
  - When the cover is opened/the seat is closed, kick the foot sensor, it will automatically open the seat;
  - When the seat is opened, kick the foot sensor, it will automatically close the cover, the seat and then flush
- 

### Automatic Flush After Leaving

When a user is seated more than five seconds, it will automatically flush after leaving the seat.

---

### Power Outage Flushing

The toilet is equipped with a backup battery. In the event of a power outage, short press the "FLUSH" knob to activate the flushing function.

---

### Toilet Bowl Moisture

When the toilet is in standby mode, please follow these steps to activate the moisture function:

- To toggle the 'Toilet Bowl Moisture' function, rotate and hold the knob for the 'REAR' mode for 3 seconds until you hear a beep.
  - Within 2 seconds after the beep, press the "FLUSH" button on the remote control.
  - Please ensure that all steps are followed correctly for proper activation of the moisture function.
- 

### Pairing the Remote Control to the Toilet

- In standby mode, rotate and hold the knob for the "REAR" mode for about 3 seconds. After hearing the prompt sound, release it. Wait for about 2 seconds before hearing the prompt sound again, indicating that the remote control has entered pairing mode. Press any button on the remote control to successfully pair the remote.
  - Each remote control corresponds to a unique code. Before using the designated toilet, it is necessary to pair the remote control once in order to use it. Otherwise, the remote control will not operate.
- 

### Foam Shield

- Manual mode: In standby, press "DRYER" once to activate (about 12 seconds).
  - Auto mode: In standby, press and hold "SPA" to enable auto mode. Foam activates automatically when seated. Allow at least 5 minutes between uses. Press and hold "SPA" again to turn off.
-

## FUNCTION DESCRIPTION

### Control Knob:

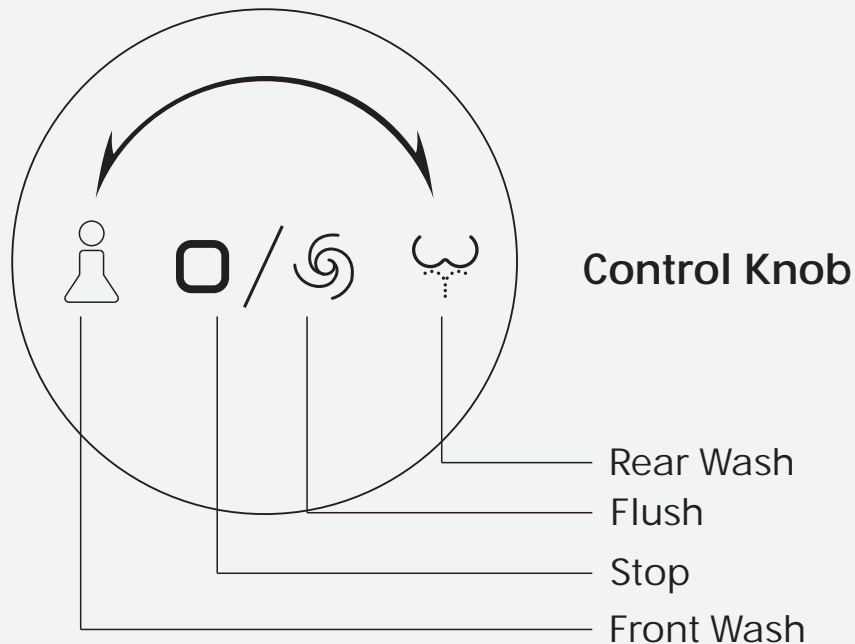
There are 4 functions on the side control knob: [Dryer/Flush], [Rear], [Front], [Stop].

#### When the toilet is not occupied:

- Press the knob to flush.
- Press and hold the knob for 5 seconds to power on/off the toilet.

#### When the toilet is occupied:

- Turn the knob clockwise to activate spray wand and start rear wash.
- Turn the knob counterclockwise to activate spray wand and start front wash.
- Press and hold the knob for 3 seconds, the toilet will first activate the flushing function before drying.
- One-Key Mode: Turn the knob towards the Rear Wash/ Front Wash direction and hold for 3 seconds to activate the one-key mode. The product will automatically perform the following steps: Rear Wash/Front Wash → Flushing → Drying.

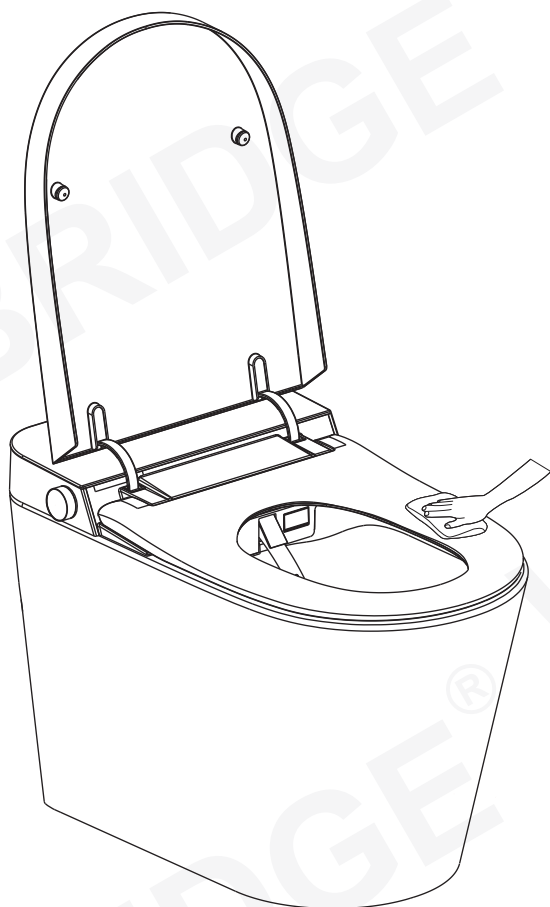


## DAILY MAINTENANCE

### Main unit care and maintenance

1. Turn off power supply before performing maintenance.

2. Wipe stains with a soft damp cloth.



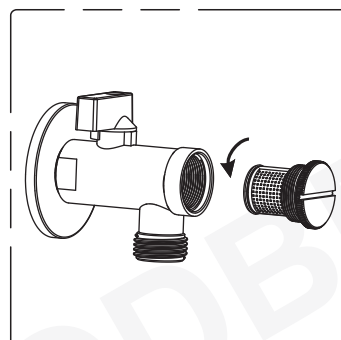
3. After cleaning, reconnect the toilet to the power supply.

### Maintenance of inlet filter screen

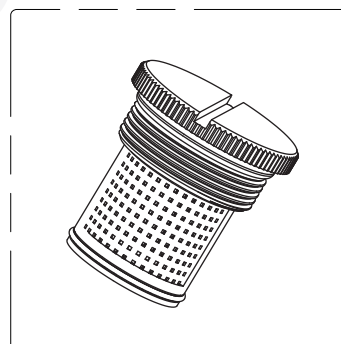
Maintenance is required when the system is under normal water pressure but is experiencing poor flush performance.

1. Turn off power and the angle valve.

2. Unscrew angle valve nut.



3. Use a brush to clean inlet filter screen.



4. Reinstall inlet filter screen.

5. Turn on the angle valve and reconnect the power. The toilet will return to normal operation after self-inspection.

## DAILY MAINTENANCE

### Spray nozzle maintenance and care

When there are stains on the nozzle:

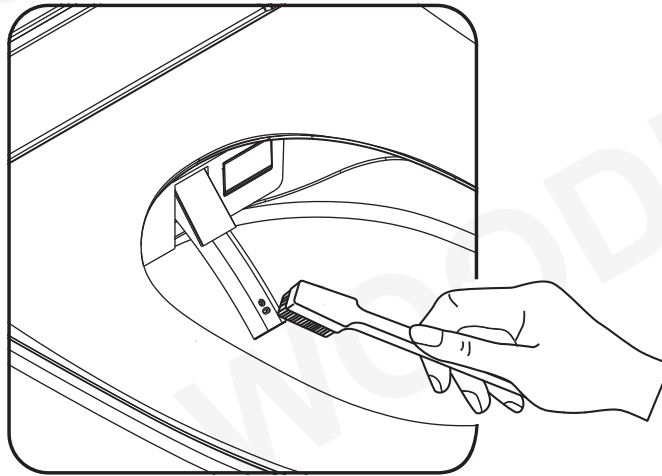
1. Open the cover and seat;

---

2. With the product connected to water and electricity, rotate the knob towards the front wash direction and hold it until you hear the prompt sound. This will extend the nozzle and clean water will flow from the self-cleaning port.

---

3. Gently brush the nozzle with a small brush;



4. Press the "STOP" button on the toilet or remote to retract the nozzle.

## TROUBLESHOOTING GUIDE

Problem	Cause	Solution
No water from nozzle	Water inlet hose bent to cause blocking	Solve the problem of bending of water inlet hose
	Inlet valve is off	Turn on the inlet valve
	Water supply is cut off	Connect water supply and wait for the water
	The sensor does not work	Adjust your sitting position to make sure sensor is working
Weak water cleaning	Water inlet hose bent to cause partial blocking	Solve the problem of bending of water inlet hose
	Inlet valve is not fully turned on	Turn on the inlet valve fully
	Inlet filter blocked	Clean the filter
Low water temperature	The water temperature is set on normal temperature level	Reset the water temperature
Low seat temperature	The seat temperature is set on normal temperature level	Reset the seat temperature
Low air temperature	The wind temperature is set on normal temperature level	Reset the wind temperature
Stops in the middle of use	Dryer features stop automatically after 3 minutes of continuous use	Restart the dryer function
	Cleansing features stop automatically after 2 minutes of continuous use	Restart the Cleansing function
	Seat sensor failed to detect user presence	Adjust your sitting position to ensure the sensor is activated
Spray rod cannot be retracted	Power off	Push back the rod lightly and wait for power to be restored
	Get stuck by impurities	Clear away the impurities
Spray rod cannot extend	Power is off	Gently push the spray rod forward and wait for the power to be restored
	Not seated in the sensing area	Sit properly within the sensing area
Remote control display not functioning	Battery polarity reversed	Reinsert the battery with correct polarity
Toilet leaking	Close the angle valve, inspect all water pipes, and contact a professional.	
 Caution	If the problems cannot be resolved using the methods above, please turn off the power and the angle valve, then contact service providers for maintenance.	
	If the leakage circuit breaker frequently trips, indicating electrical leakage, turn off the power and the angle valve, then contact the service provider for maintenance.	

**Woodbridge warrants the following products as listed below to be free from defects in material and workmanship, subject to the limitations set forth in this limited warranty.**

- Bathtub, Whirlpool/Air Bubble Massage Tub, Cold Plunge, Wooden Tub: 1 Year limited to be free of defects in material and workmanship.
- Sauna room and Sauna Tent: 1 Year limited to be free of defects in material and workmanship.
- Toilet and Bidet: 1 Year limited to be free of defects in material and workmanship.
- Faucet: 1 Year limited to be free of defects in material and workmanship.
- Vanity and Vanity Top: 1 Year limited to be free of defects in material and workmanship.
- Granite, Marble, Engineered Quartz Vanity Top: 1 Year limited to be free of defects in material and workmanship.
- Medicine Cabinet, LED Mirror: 1 Year limited to be free of defects in material and workmanship.
- Stainless Steel Sink: 1 Year limited to be free of defects in material and workmanship.
- Solid Surface Shower Wall Panel, SMC Shower Base: 10 Years limited warranty to be free from material defects.
- Drain Cover and PVC Drain: 1 Year limited to be free of defects in material and workmanship.
- Shower Door: Lifetime warranty on glass components and 1 Year limited on other hardware.

**This limited warranty is non-transferable and only applies to products purchased and installed in the United States and Canada**

This limited warranty excludes all industrial, commercial and business usage. Proof of purchase (original sales receipt) from the original purchaser, Description and pictures of defect, model number or model description must be provided to Woodbridge Bath for all warranty claims and Woodbridge Bath IS NOT responsible for labor cost, removal or installation costs.

This limited warranty shall not apply to goods which have been subject to accident, negligence, improper installation, product abuse, product misuse, or use of cleaners containing abrasives, alcohol or other organic solvents, whether performed by a contractor, service company, or yourself, are excluded from this warranty.

This warranty does not cover surface damage caused by use of chemicals that break through or dissolve the surface finish or damage caused by the accidental dropping of sharp or heavy objects. Improper care and use of abrasive cleaners will void the warranty.

During this limited warranty period if a malfunction occurs and after inspection it is determined that a defect developed during normal use, Woodbridge reserves the right to take any of the following actions at its discretion:

- (1) **repair or replace the defective part(s) or product(s) at cost**
- (2) **issue a refund of the original purchase price of the product(s) (Valid within 30 days from the date of purchase)**
- (3) **issue a credit to be applied toward the purchase of a new product. Shipping or delivery charges may apply. Whether such charges are required, and the amount and conditions under which they apply, shall be determined solely at the discretion of Woodbridge.**

Caution:  
NEVER use cleaners containing abrasives, ammonia, bleach, acids, waxes, alcohol, solvents or other products not recommended for chrome finishes. Doing so will void the warranty.  
Woodbridge strongly recommends installation by a licensed and insured professional to ensure proper performance and safety.

## RESPONSIBILITIES OF OTHERS

Inspecting the unit prior to installation is the responsibility of the installer or building contractor who acts on behalf of the user. They are responsible for ensuring the unit is free of defect or damage. Notices are placed on the unit and on the shipping carton advising the installer of this responsibility. In the event of a problem, the unit must not be installed. Woodbridge is not responsible for failures or damage that could have been discovered, repaired, or avoided by proper inspection and testing prior to installation.

Damage occurring in transit is the responsibility of the carrier. The user or installer MUST open the crate and inspect the unit for damage when it is delivered. If damage is discovered, it must be reported immediately to the seller and the carrier in writing, and an inspection requested. Failure of the carrier to respond should be reported to the seller and the carrier. Your freight claims should be filed promptly thereafter.

This limited warranty does not cover any liability for consequential or incidental damages, all of which are hereby expressly disclaimed, or the extension beyond the duration of this limited warranty of any implied limited warranties, including those of merchantability or fitness for an intended purpose.

## DISCLAIMER

Except as expressly provided, there shall be no warranty or obligation, express or implied, oral or statutory. No dealer or other person has the authority to make any warranties or representations concerning or its products. In no event shall be held responsible for any such warranties or representations.

Some states/provinces do not allow limitations on how long an implied warranty lasts, or the exclusion or limitation of special, incidental or consequential damages, so these limitations and exclusions may not apply to you. This warranty gives you specific legal rights, you may also have other rights which vary from state/province to state/province.

**To obtain warranty and replacement parts, please send e-mail to [help@woodbridgebath.com](mailto:help@woodbridgebath.com) with the original receipt information, Woodbridge will determine whether to repair or replace your product, issue a refund or issue a credit.**

**IMPORTANT!**

**DO NOT USE:** Abrasive cleaners such as: acid, ammonia, bleach, and similar solutions. Use of such solutions may cause corrosion, finish peeling, and/or dull the surface.

**DO NOT USE:** Abrasive sponges or cloths. Never use steel, wool, or wire brushes that will permanently scratch the surface.

**Retain these installation instructions for future reference!**

Thank you for using **WOODBIDGE** products!

**WOODBIDGE<sup>®</sup>**

California (Norwalk) Distribution Center  
15600 Blackburn Ave, Norwalk, CA 90650

New Jersey (Somerset) Distribution Center  
635 Pierce St, Somerset, NJ 08873

Florida (Orlando) Distribution Center  
13645 S Orange Ave, Orlando, FL 32824

Canada (Ontario) Distribution Center  
615 Orwell Street, Unit C, Mississauga, ON L5A2W4, Canada

**SCAN  
ME**

To Activate  
Warranty



Please don't hesitate to contact us if you have any questions or concerns.

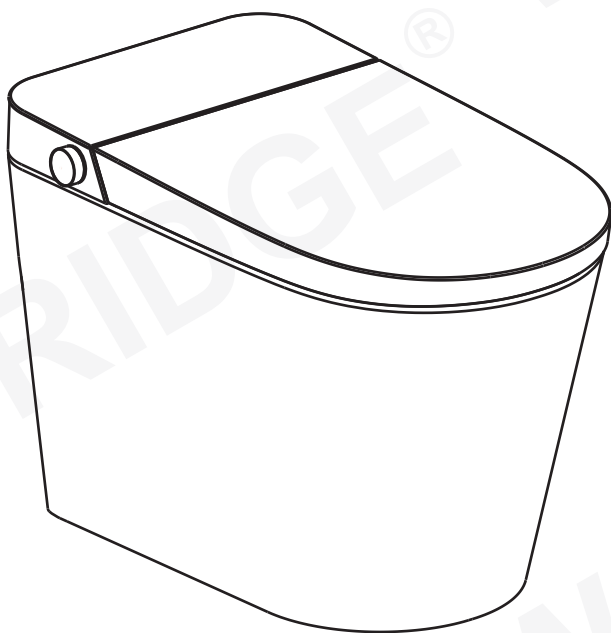
Customer Service Phone: 562-229-0088. (Monday - Friday 9 AM - 5 PM Pacific Standard Time)

Or Email: [help@woodbridgebath.com](mailto:help@woodbridgebath.com)

# GUIDE D'INSTALLATION ET D'ENTRETIEN POUR BIDET ÉLECTRONIQUE INTÉGRÉ

**WOODBIDGE®**

Modèle : **GT090**



SCANNEZ  
-MOI

Pour activer  
la garantie



Conformité aux normes et codes suivants :

- Code® Uniforme de Plomberie 2015 (UPC)
- Code® International de Plomberie 2018 (IPC)
- Code® International Résidentiel 2018 (IRC)
- ASME A112.4.2-2021/CSA B45.16:21 – Dispositifs d'hygiène personnelle pour WC
- ASME A112.19.2-2024/CSA B45.1:24 – Appareils sanitaires en céramique



**LISEZ TOUTES LES INSTRUCTIONS AVANT DE DÉBALLER LE PRODUIT**

DES INSTRUCTIONS QUI, SI ELLES SONT IGNORÉES, PEUVENT ENTRAÎNER LA MORT OU DES BLESSURES GRAVES EN RAISON D'UNE MANIPULATION OU D'UNE INSTALLATION INCORRECTE DU PRODUIT. CES INSTRUCTIONS DOIVENT ÊTRE RESPECTÉES POUR UNE INSTALLATION SÛRE.

**ATTENTION!**



MANUTENTION  
À DEUX

LE DÉPLACEMENT ET L'INSTALLATION DE CE PRODUIT  
DOIVENT ÊTRE EFFECTUÉS PAR DEUX PERSONNES



**L'INSTALLATION DE CE PRODUIT PAR UN  
INSTALLATEUR INEXPÉRIMENTÉ PEUT  
ENTRAÎNER DES BLESSURES OU LA MORT!**



Nous nous réservons le droit de changer, de mettre à jour, de modifier ou de remanier ce manuel/produit ou ses politiques sans préavis!

Nous ne sommes pas responsables des dommages corporels ou matériels liés à ce produit lors de son installation ou de son utilisation.

- Woodbridge recommande fortement que l'installation soit effectuée par un professionnel qualifié et assuré afin d'assurer la performance et la sécurité du produit.
- Nous ne sommes pas responsables de la conformité aux codes locaux de construction et de plomberie de ce produit. Les codes de construction et de plomberie peuvent varier d'un État à l'autre. Nous ne fournissons pas de certifications de conformité.
- Sous aucune circonstance, nous ne saurions être tenus responsables : Des dommages accessoires liés à l'utilisation de ce produit ; De la responsabilité liée à des dommages causés par des plomberies (fuites, inondations).
- y compris les coûts d'installation, de réinstallation, de dépannage, de dommages ultérieurs ou de transport en cas de défaut du produit.

## INSTRUCTIONS DE SÉCURITÉ

Avant l'installation et l'utilisation, lisez attentivement toutes les instructions. Le non-respect de ces consignes de sécurité peut entraîner une électrocution, un incendie, des dommages matériels ou des blessures graves.

### Sécurité électrique

- Ce produit doit être branché sur une prise dédiée, protégée par un disjoncteur différentiel (GFCI), de 110-120 V, 50Hz - 60 Hz, avec une charge minimale de 15 A.
- N'utilisez pas de prolongateurs, de prises multiples ou de prises desserrées.
- Assurez-vous que la prise est correctement mise à la terre. En cas de doute, consultez un électricien qualifié.
- Débranchez immédiatement si le produit tombe dans l'eau ou devient humide.
- N'ouvrez, ne modifiez et ne réparez jamais ce produit vous-même. Contactez un technicien de service agréé.
- Débranchez toujours l'appareil avant de le nettoyer ou de l'entretenir.
- N'utilisez pas l'appareil pendant un orage.
- Gardez la fiche électrique et la prise toujours au sec.

### Sécurité liée à l'eau et à l'installation

- Installez les toilettes dans un endroit intérieur et sec. Ne les exposez pas à la pluie ou à l'eau stagnante.
- Utilisez uniquement de l'eau du robinet entre 5 °C et 40 °C (41 °F-104 °F).
- Ne connectez pas l'appareil à une conduite d'eau chaude ou à la sortie d'un chauffe-eau.
- Évitez les températures de l'eau en dessous de 0 °C (32 °F). Si un gel est susceptible de se produire, vidangez le réservoir et le flexible.
- Utilisez uniquement les flexibles et les raccords neufs fournis avec le produit. Ne réutilisez pas d'anciennes pièces.
- N'encastrez pas la base des toilettes dans du ciment ou du mortier ; cela pourrait fissurer la céramique.
- N'installez pas l'appareil à proximité de matériaux inflammables ou de sources de chaleur.

### Sécurité d'utilisation et d'entretien

- Ne vous tenez pas debout, ne vous asseyez pas et ne placez pas d'objets lourds sur le couvercle ou l'assise.
- Ne laissez pas les enfants jouer avec le produit.

- Les personnes ayant des capacités physiques, sensorielles ou mentales limitées ne doivent l'utiliser que sous surveillance.
- Évitez d'utiliser des produits chimiques agressifs, des solvants ou des abrasifs pour le nettoyage. Utilisez un chiffon doux et un nettoyant doux et non corrosifs.
- Ne pulvérisez et ne versez pas d'eau ou de détergent directement sur l'appareil.
- Si une fonction quelconque tombe en panne ou si une odeur/bruit anormal se produit, cessez immédiatement l'utilisation et débranchez l'appareil.
- Débranchez l'alimentation électrique et coupez l'alimentation en eau si l'appareil n'est pas utilisé pendant une longue période.

## Important

- L'installation doit être réalisée par un plombier agréé et assuré.
- Une installation ou une utilisation incorrecte entraînera l'annulation de la garantie.
- WOODBRIDGE n'est pas responsable des blessures ou des dommages résultant d'une installation ou d'une utilisation incorrecte.

## SPÉCIFICATIONS TECHNIQUES

Nom du produit	Toilette bidet électronique
Tension nominale	110-120V
Fréquence nominale	60Hz
Puissance nominale	1150W
Volume de rinçage	1.06GPF(4LPF)
Niveau d'étanchéité	IPX4
Température de l'eau chaude	4 niveaux(De la Température Ambiante à 104 °F)
Température de l'air chaud	4 niveaux(De la Température Ambiante à 140 °F)
Température du siège chauffant	4 niveaux(De la Température Ambiante à 105 °F)
Température de fonctionnement	41-104°F
Température de l'eau chaude Méthode de chauffage	Chauffage instantané
Température d'entrée de l'eau	33.8-95°F
Pression de l'eau d'alimentation	11.6-73 PSI(0.08MPa-0.5MPa)
Codes/Normes	ASME A112.4.2-2021/CSA B45.16:21 ASME A112.19.2-2024/CSA B45.1:24

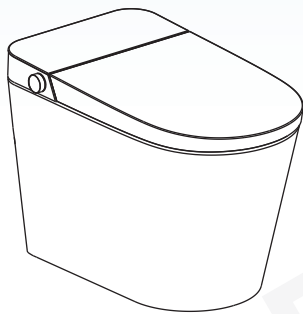
### \*Condition de test de la valeur de puissance:

Pression de l'eau : 29 PSI(0.2 MPa), Température de l'eau à l'entrée : 59°F

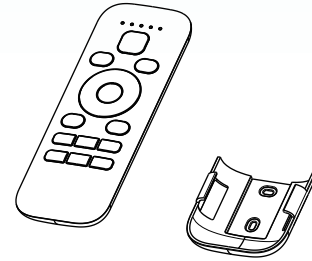
Débit d'eau : 0.17 gpm(650 ml/min)

- Température maximale de l'eau fournie par le produit à des fins d'hygiène : 107°F.
- Aucun avis supplémentaire ne sera émis en cas de modification des spécifications techniques due à des améliorations de produit ou des mises à jour techniques. Toutes les spécifications techniques réelles sont sujettes à modification et sont déterminées par le produit fini.

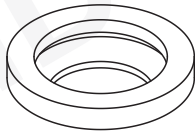
# LISTE D'EMBALLAGE



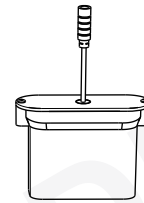
Unité principale



Télécommande IR + support mural



Joint en cire



Boîtier pour batterie 16V  
(piles non incluses)



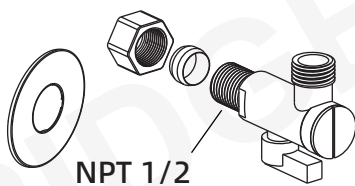
Manuel d'installation et  
certificat de qualification



Pastille  
d'aromathérapie



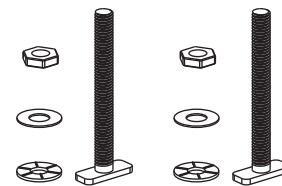
Adaptateur



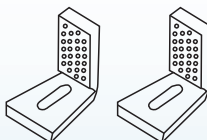
Robinet d'angle



Solution Moussante



Boulons en T



Tiges en L



Cache-vis



Vis de fixation

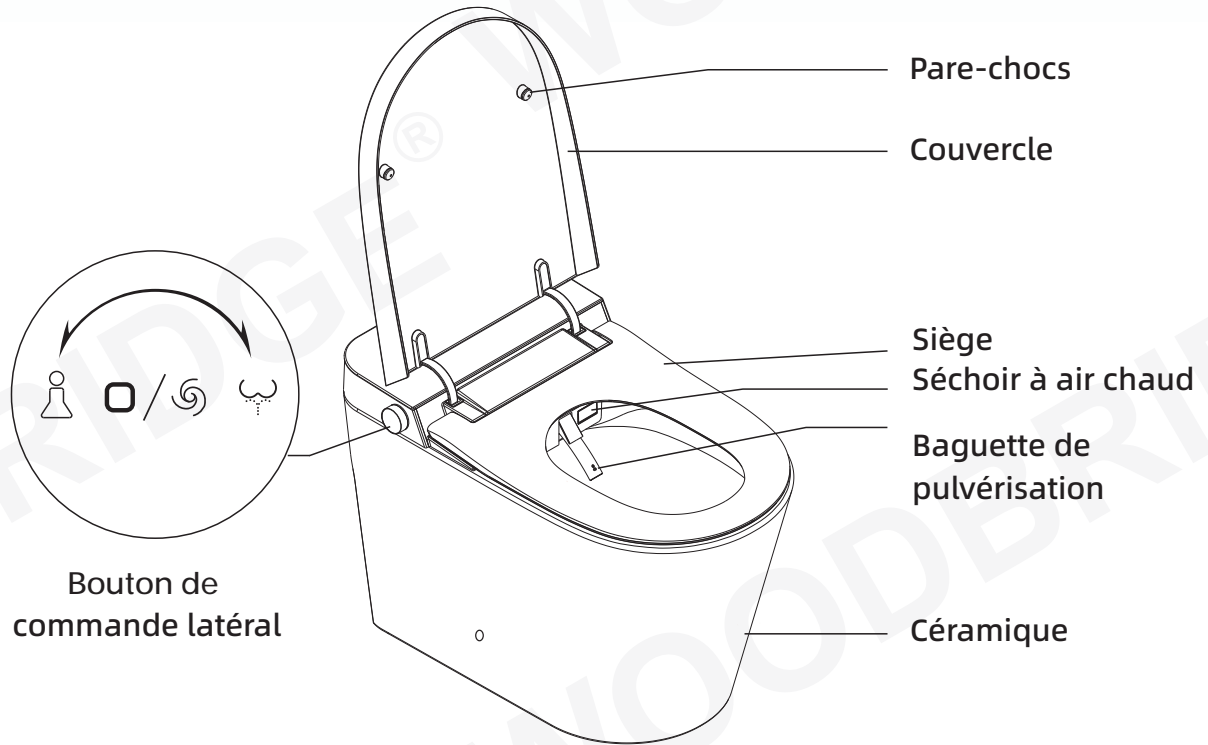


Manchon plastique

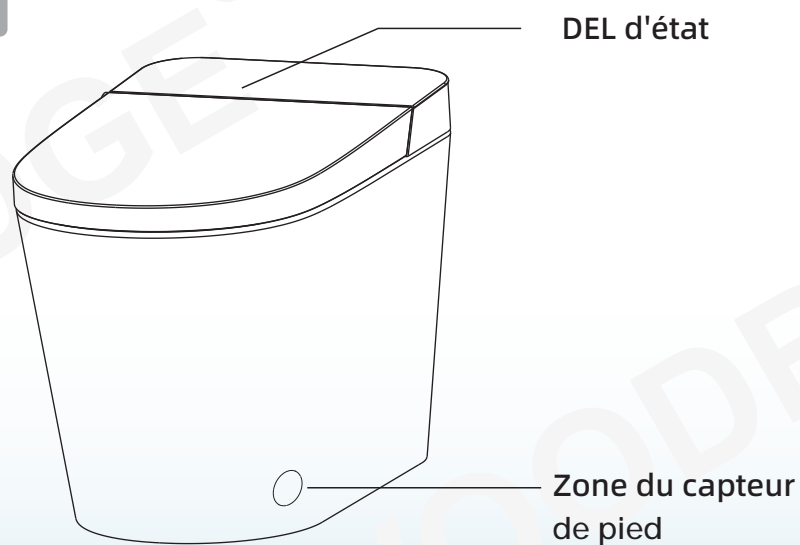
Note : La plaque de fixation n'est pas incluse et doit être achetée séparément.

## LISTE DES PARTIES

### Côté gauche



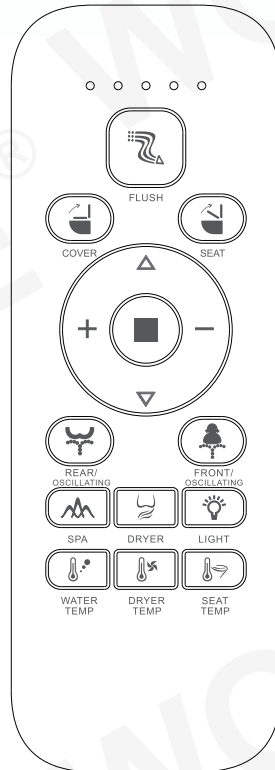
### Côté droit



- Le schéma du produit est fourni à titre indicatif uniquement. Nous nous réservons le droit de modifier l'apparence du produit. En cas de changement, c'est le produit réel qui fera foi.

# LISTE DES PARTIES

## Télécommande



## Signification des icônes de la télécommande



RINÇAGE



COUVERCLE



SIÈGE



POSITION DE LA BUSE  
AVANCER



PRESSION D'EAU  
AUGMENTER



ARRÊT



POSITION DE LA BUSE  
VERS L'ARRIÈRE



PRESSION D'EAU  
DIMINUER



ARRIÈRE  
OSCILLANT



AVANT  
OSCILLANT



SPA



SÉCHOIR



VEILLEUSE



TEMPÉRATURE  
DE L'EAU

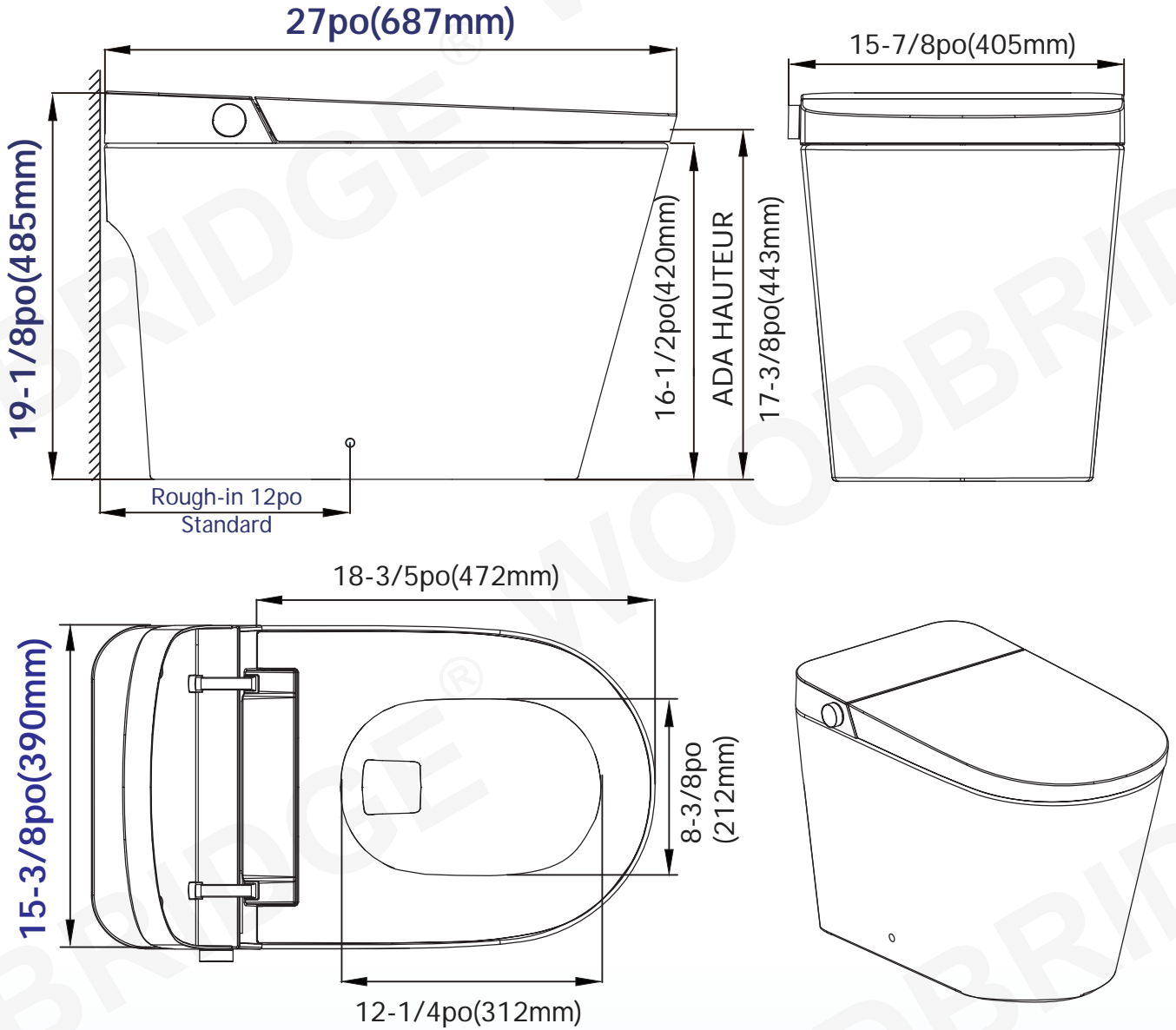


TEMPÉRATURE  
DU SÉCHOIR



TEMPÉRATURE  
DU SIÈGE

# DIMENSIONS



# INSTALLATION DES TOILETTES

## Outils nécessaires :



Tournevis



Ruban à mesurer



Clé à molette



Pistolet à calfeutrer

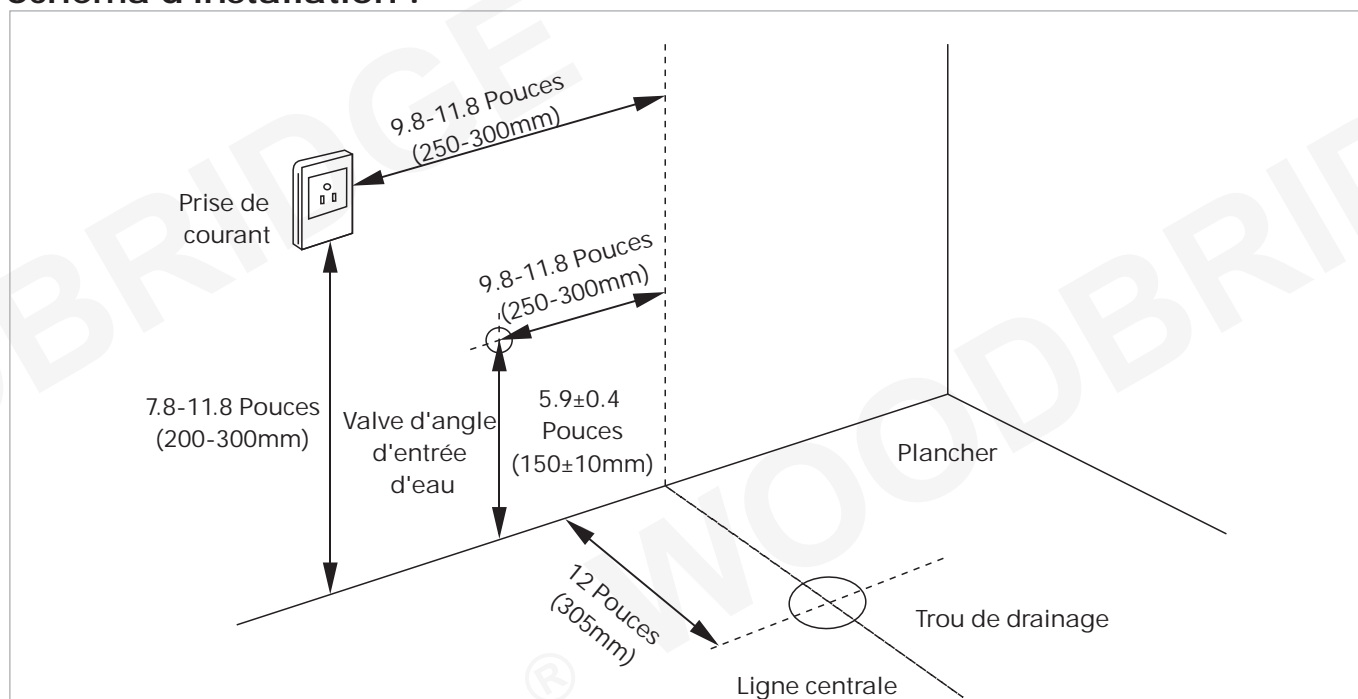


Le marqueur



Perceuse électrique

## Schéma d'installation :



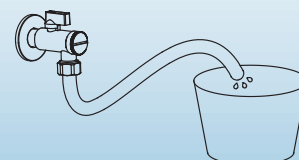
### AVERTISSEMENT

#### Instructions pour l'installation de la prise de courant :

- Assurez-vous que la prise électrique est correctement mise à la terre conformément aux normes électriques en vigueur.
- Le cordon d'alimentation doit avoir une longueur de 1,5 mètres. L'emplacement de la prise électrique doit être proche pour faciliter l'installation et le démontage de ce produit, tout en maintenant une distance de sécurité par rapport à la baignoire.
- Il est fortement recommandé d'utiliser une prise électrique étanche. Veuillez ne pas utiliser de prolongateurs pour connecter ce produit. Le non-respect de ces instructions pourrait entraîner un incendie ou une électrocution.

## Précautions à prendre avant l'installation :

- Avant l'installation, rincer le tuyau à l'eau pendant 1 minute pour éliminer toutes les impuretés restant dans la canalisation.

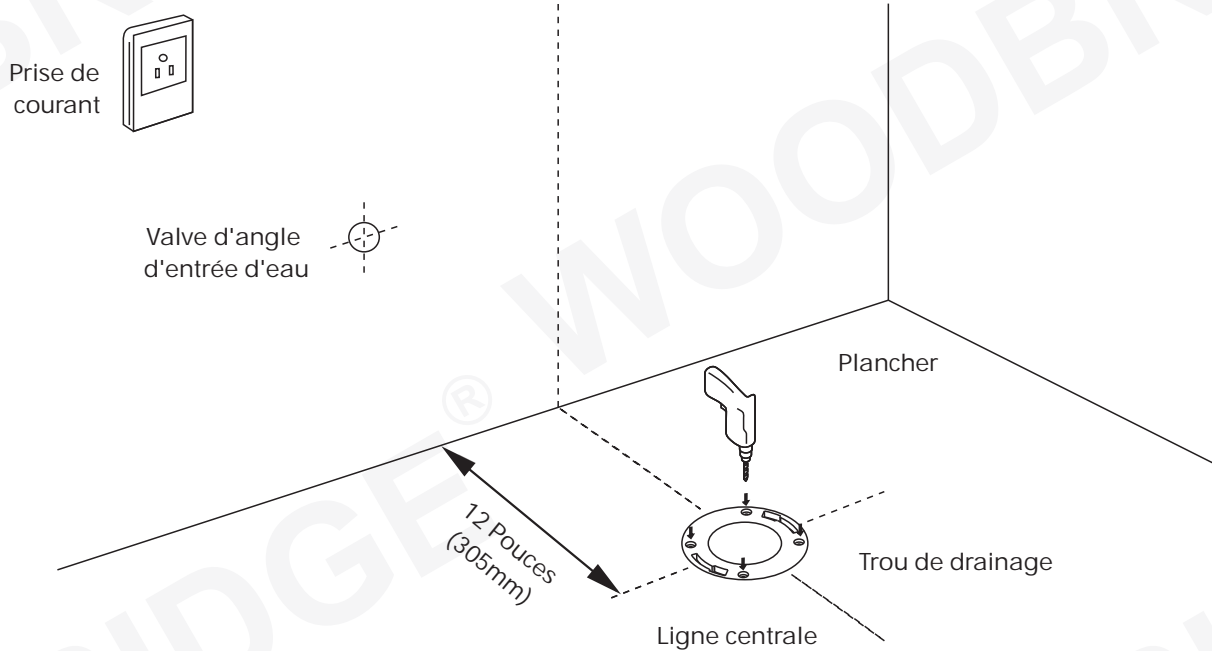


# INSTALLATION DES TOILETTES

## Étapes de l'installation:

**1. Pour les toilettes nouvellement installées dans la salle de bains, une plaque de bride doit être ajoutée. (La plaque de bride n'est pas incluse dans la livraison. L'installateur est tenu de l'acquérir séparément.)**

- Placez la plaque de bride dans le trou d'évacuation, en alignant la flèche sur la plaque de bride avec la ligne en pointillé sur la paroi verticale. Le centre du collier de montage doit être aligné avec la ligne médiane.
- Utilisez un marqueur pour indiquer les positions des quatre trous d'installation sur la plaque de la bride.
- Utilisez une perceuse électrique pour créer quatre (4) trous d'installation de 6 mm sur la plaque de la bride. Insérez les quatre chevilles en plastique correspondantes.
- Fixez la plaque de la bride en place à l'aide des quatre vis fournies.

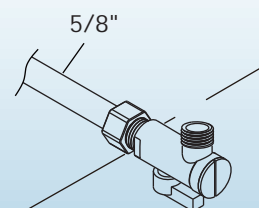
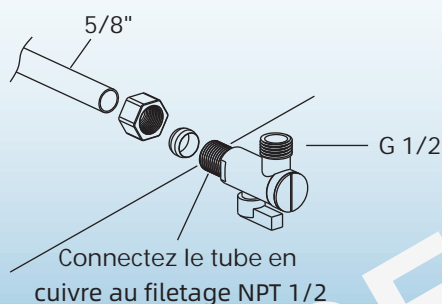


## 2. Installer le robinet d'angle

### ■ 2.1 Méthode d'installation 1 :

2.1.1 Retirez le manchon en cuivre et l'écrou de la vanne NPT 1/2.

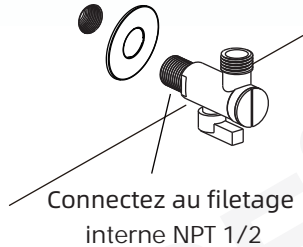
2.1.2 Insérez l'écrou et la bague en cuivre dans le tube de cuivre dans cet ordre, puis serrez le robinet.



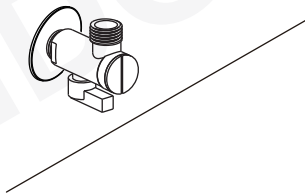
# INSTALLATION DES TOILETTES

## ■ 2.2 Méthode d'installation 2 :

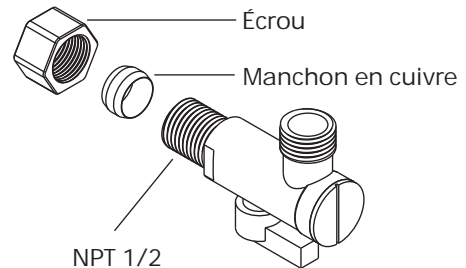
2.2.1 Retirez le manchon en cuivre et l'écrou de la vanne NPT 1/2.



2.2.2 Vissez la vanne sur la sortie d'eau.



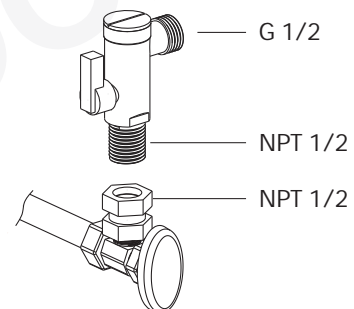
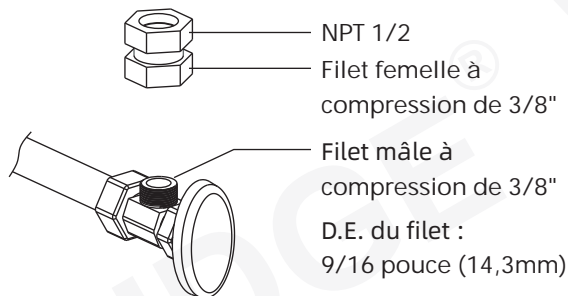
2.3.2 Retirez le manchon en cuivre et l'écrou de la vanne NPT 1/2.



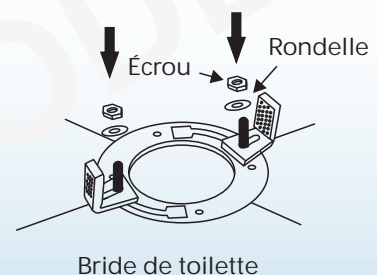
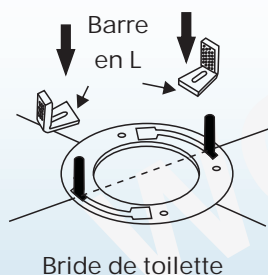
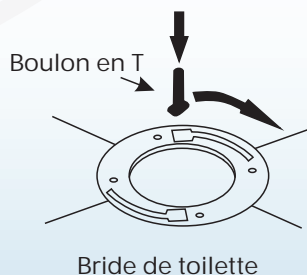
2.3.3 Enroulez le ruban d'étanchéité autour du filetage NPT 1/2 de la vanne, puis serrez le raccord de vanne à l'emplacement NPT 1/2.

## ■ 2.3 Méthode d'installation 3 :

2.3.1 Enroulez du ruban d'étanchéité autour du filet mâle à compression de 3/8 pouce de la vanne, puis vissez l'adaptateur sur la vanne.



## 3. Installer les boulons de sol et la barre en L



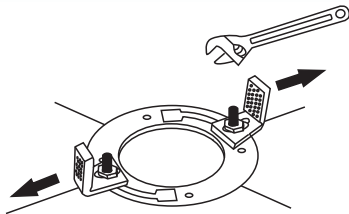
Note: Les deux vis doivent être alignées avec le centre de la bride.

# INSTALLATION DES TOILETTES

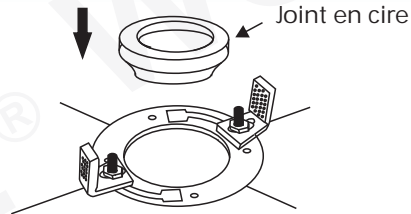
## 4. Installer le joint en cire

Tirez les tiges en L à leur longueur maximale, puis serrez les écrous.

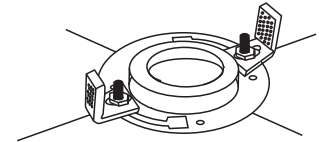
Placez le joint en cire sur le collier de fixation (flange).



Collier de fixation



Collier de fixation

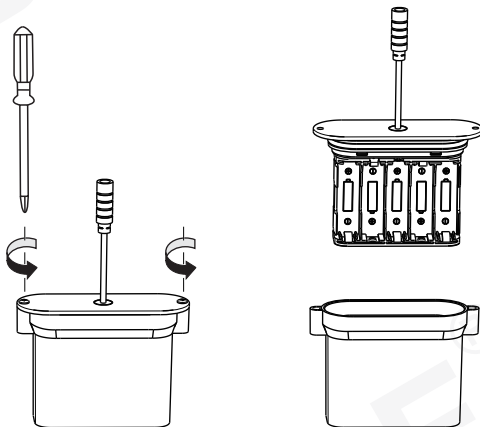


Collier de fixation

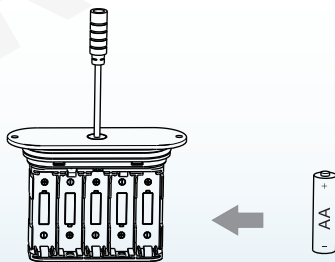
## 5. Installation des piles

5.1 Ouvrez le compartiment à piles à l'aide d'un tournevis cruciforme.

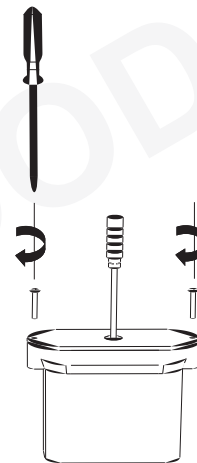
5.2 Retirez le couvercle du compartiment à piles.



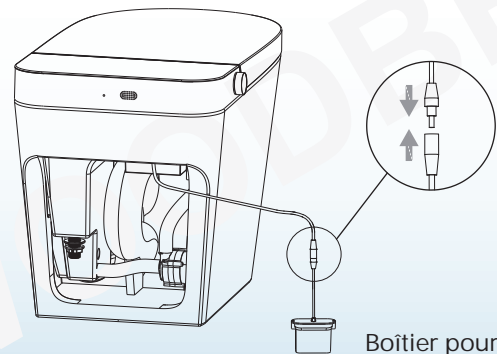
5.3 Installez 10 piles AA. (Veillez à respecter la polarité lors de l'installation des piles.)



5.4 Remettez les deux vis de fixation en place.



5.5 Trouvez le fil de sortie du boîtier à piles, branchez la fiche étanche, puis placez le boîtier à piles à l'intérieur de la cuvette en céramique.



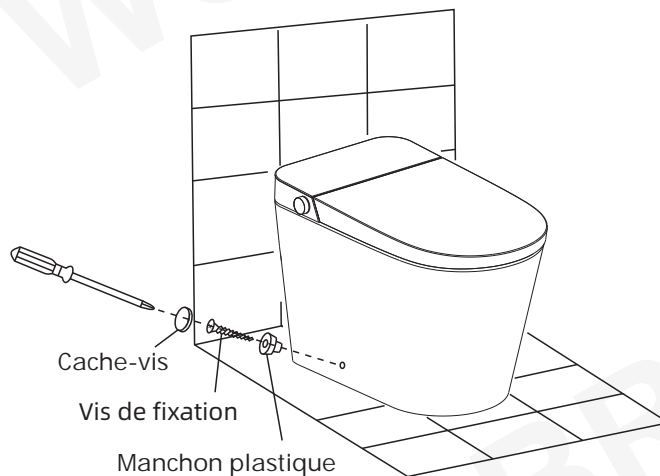
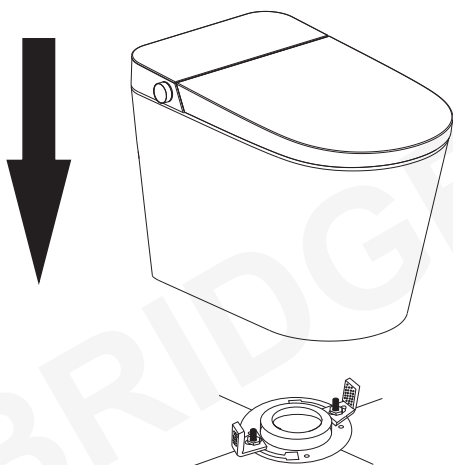
Boîtier pour batterie 16V

# INSTALLATION DES TOILETTES

## 6. Installation des toilettes

Descendez délicatement les toilettes sur le collier et appuyez fermement pour les fixer.

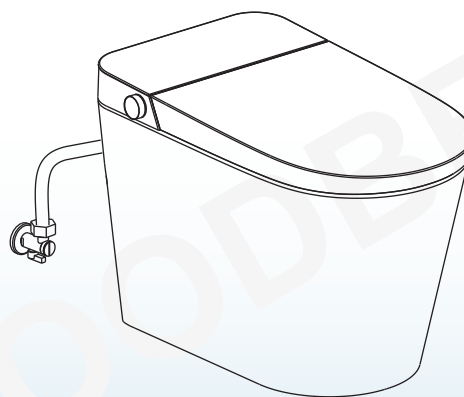
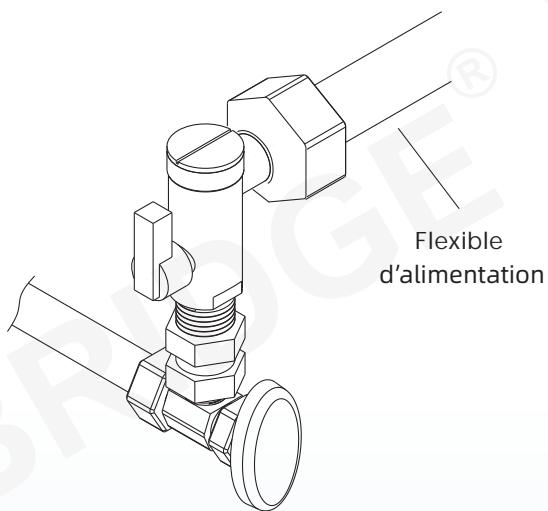
Placez la rondelle et l'écrou sur la vis à tête T, puis serrez-les fermement.



## 7. Raccorder le tuyau d'entrée

7.1 Raccorder le flexible d'entrée d'eau.

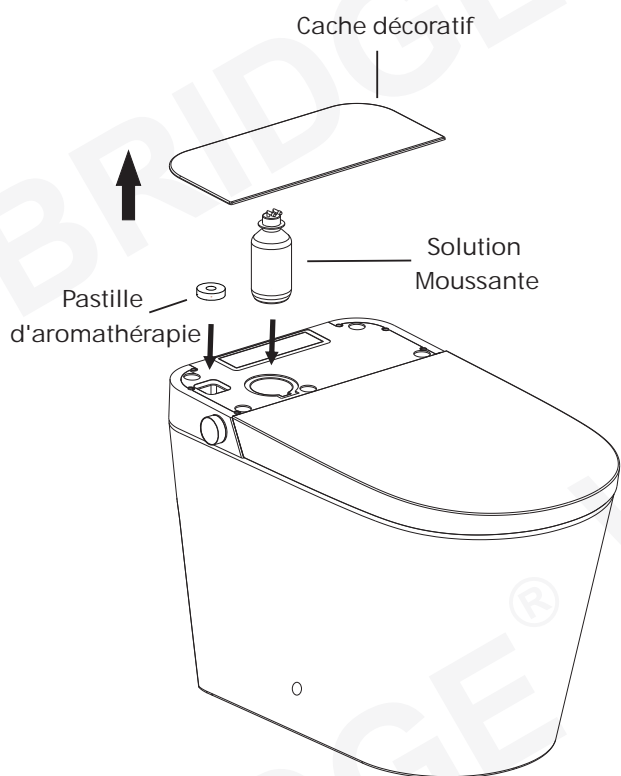
7.2 Appliquer un cercle de silicone d'étanchéité anti-moisissure au niveau de la jonction entre la toilette et le sol. Une fois le mastic silicone solidifié, brancher l'alimentation électrique et ouvrir lentement la vanne d'angle. Régler la pression de l'eau à moins de 80 PSI et vérifier tous les points de connexion pour détecter les fuites.



## INSTALLATION DES TOILETTES

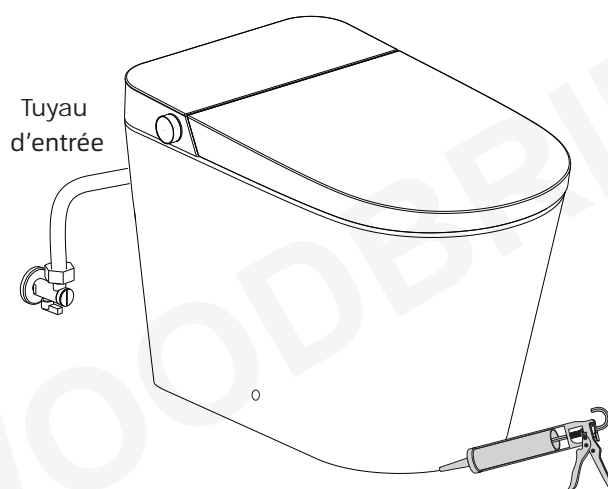
### 8. Installation de la pastille parfumée et de la solution moussante

Ouvrir le cache décoratif. Placer la pastille parfumée à l'emplacement prévu. Verser la solution moussante, puis visser le bouchon du flacon. Replacer enfin le cache décoratif.



### 9. Raccorder les tuyaux d'eau et appliquer le produit d'étanchéité

Raccorder le tuyau d'entrée d'eau à la vanne d'angle, puis sceller la jonction entre la toilette et le sol avec un cercle de silicone d'étanchéité anti-moisissure. Attendre 24 heures que le silicone sèche avant utilisation.

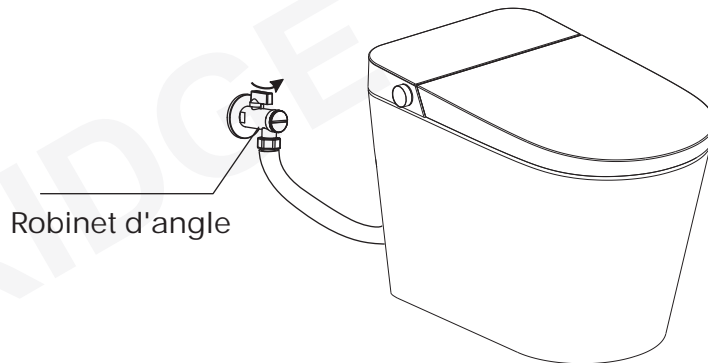


# AVANT L'UTILISATION

## 1. Mettre en marche le robinet d'angle

- Vérifier l'absence de fuites au niveau du raccord fileté.
- Dévissez le robinet d'angle dans le sens inverse des aiguilles d'une montre pour l'ouvrir complètement.

(Conseils: Lors de la première ouverture du robinet d'angle, la poignée peut nécessiter un couple plus important).



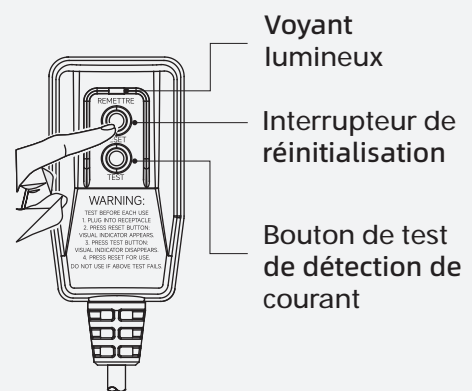
## 2. Branchement électrique

Insérez la fiche de protection contre les fuites dans la prise de courant. Appuyez sur l'interrupteur de réinitialisation. Le voyant de la fiche s'allume, indiquant que l'appareil est sous tension.

### Conseils :

- Avant l'utilisation, appuyez sur le bouton de test de fuite électrique. L'interrupteur de réinitialisation doit s'ouvrir, indiquant que la fonction de protection contre les fuites est normale.
- Appuyez une fois par mois sur le bouton TEST (puis sur le bouton RESET) pour en assurer le bon fonctionnement.




Remarque: Cette fonction ne s'applique qu'aux modèles équipés d'une fiche de protection contre les fuites. Pour plus de détails, veuillez vous référer au produit lui-même.









## 3. L'auto-inspection

- Le buzzer de l'unité principale émet un " bip " .
- Après un autre " bip " de l'avertisseur, l'autocontrôle est terminé.
- Passez en mode de fonctionnement normal pour une utilisation régulière.

## DESCRIPTION DE LA FONCTION

	<p><b>Lavage Arrière/Oscillant</b></p> <p>Tournez le bouton de commande en mode "<b>ARRIÈRE</b>" ou appuyez sur la touche "<b>ARRIÈRE</b>" de la télécommande. Le jet d'eau de la buse arrière se déclenche. Appuyez à nouveau sur la touche pour activer le mode "<b>OSCILLANT</b>", dans lequel la zone de lavage est étendue et l'eau se déplace vers l'avant et vers l'arrière. La fonction de lavage s'arrête automatiquement au bout de 2 minutes.</p>
	<p><b>Lavage Avant /Oscillant</b></p> <p>Tournez le bouton de commande en mode "<b>AVANT</b>" ou appuyez sur la touche "<b>AVANT</b>" de la télécommande. Le jet d'eau s'active à partir de la sortie avant de la lance. Appuyez à nouveau sur la touche pour activer le mode "<b>OSCILLANT</b>", dans lequel la zone de lavage est élargie et l'eau se déplace d'avant en arrière. La fonction de lavage s'arrête automatiquement au bout de 2 minutes.</p>
	<p><b>Séchoir à air chaud</b></p> <p>Le séchoir à air chaud doit être utilisé après le nettoyage. Appuyez sur la touche "<b>SÉCHOIR</b>" pour activer le séchage à l'air chaud. La fonction de séchage à l'air chaud s'arrête automatiquement au bout de 3 minutes.</p>
	<p><b>Chasse d'eau par télécommande</b></p> <p>Appuyez sur le bouton "<b>RINÇAGE</b>" pour tirer manuellement la chasse d'eau. Appuyez deux fois rapidement sur le bouton "<b>RINÇAGE</b>" pour déclencher une chasse d'eau à faible débit.</p>
	<p><b>Température de l'eau</b></p> <p>Appuyez sur la touche "<b>TEMPÉRATURE DE L'EAU</b>" pour régler la température de l'eau de nettoyage. Appuyez une fois pour afficher la température actuelle. Appuyez à nouveau pour régler le niveau souhaité.</p> <ul style="list-style-type: none"><li>• Il existe 4 niveaux de température de l'eau (proche/environ 93°F - 104°F).</li></ul>
	<p><b>Température de l'air chaud</b></p> <p>Appuyez sur le bouton "<b>TEMPÉRATURE DU SÉCHOIR</b>" pour régler la température du sècheur d'air. Appuyez une fois pour afficher la température actuelle. Appuyez à nouveau pour régler le niveau souhaité.</p> <ul style="list-style-type: none"><li>• Il existe 4 niveaux de température de l'air (proche/environ 122°F - 140°F).</li></ul>

## DESCRIPTION DE LA FONCTION

	<p><b>Température du siège</b></p> <p>Appuyez sur le bouton "<b>TEMPÉRATURE DU SIÈGE</b>" pour régler la température du siège. Appuyez une fois pour afficher la température actuelle. Appuyez à nouveau pour régler le niveau souhaité.</p> <ul style="list-style-type: none"><li>• Il existe 4 niveaux de température du siège (proche/environ 91°F -105°F).</li></ul>
	<p><b>Arrêt</b></p> <p>Appuyez sur le bouton "<b>ARRÊT</b>" pour mettre fin à la fonction "<b>ARRIÈRE/AVANT/SÉCHOIR</b>".</p>
	<p><b>Ouverture/fermeture automatique du couvercle</b> <b>(S'applique uniquement aux modèles équipés de la fonction d'ouverture automatique du couvercle)</b></p> <p>Appuyez sur la touche "<b>COUVERCLE</b>" de la télécommande pour ouvrir/fermer le couvercle.</p>
	<p><b>Ouverture/fermeture automatique du siège</b> <b>(S'applique uniquement aux modèles équipés de la fonction d'ouverture automatique du siège)</b></p> <p>Appuyez sur la touche "<b>SIÈGE</b>" de la télécommande pour ouvrir/fermer le siège.</p>
	<p><b>Massage à l'eau chaude et froide</b></p> <p>Appuyez brièvement sur le bouton "<b>SPA</b>" pendant la fonction de nettoyage pour activer le massage, qui alterne l'eau chaude et l'eau froide. Appuyez sur l'icône "<b>ARRÊT</b>" pour mettre fin à toutes les fonctions.</p>
	<p><b>Massage pulsé</b></p> <p>Appuyez sur la touche "<b>SPA</b>" pendant 3 secondes pendant la fonction de nettoyage pour activer le massage pulsé, la pression de l'eau changeant alternativement. Appuyez sur l'icône "<b>ARRÊT</b>" pour mettre fin à toutes les fonctions.</p>
	<p><b>Veilleuse</b></p> <p>Appuyez sur l'icône "<b>VEILLEUSE</b>" de la télécommande pour ouvrir ou fermer la veilleuse.</p>

## DESCRIPTION DE LA FONCTION

Remarque : Certaines fonctions décrites dans ce manuel sont disponibles uniquement sur des modèles spécifiques. Veuillez vous référer à votre modèle de produit pour connaître les fonctionnalités applicables. Si vous avez des questions, veuillez communiquer avec le service à la clientèle de WOODBRIDGE.

### Réglage de la pression de l'eau

[ + (augmentation de la pression de l'eau) /-- (diminution de la pression de l'eau)].

Appuyez sur l'icône " + " ou " - " pour augmenter ou diminuer la pression de l'eau.

### Réglage de la position de la buse [ Δ Avancer/ ▽ Reculer]

Appuyez sur l'icône " Δ " ou " ▽ " pour régler la position de la buse sur 3 niveaux.

### Désodorisant

Le désodorisant utilise du charbon actif et fonctionne automatiquement, sans nécessiter d'action manuelle.

### Mode économie d'énergie (après 1 heure d'inactivité)

Lorsque les toilettes intelligentes ne sont pas utilisées pendant une heure, elles passent automatiquement en mode d'économie d'énergie et la température du siège s'ajuste automatiquement à 91°F, entrant ainsi dans un réglage de basse température. Une fois assis, le siège se réchauffe à la température pré-réglée.

### Couvercle et abattant de toilette à ouverture/fermeture automatique

- Le couvercle et l'abattant de toilette à ouverture/fermeture automatique s'ouvrent et se ferment en détectant la présence et les mouvements du corps humain.
- Lorsque le couvercle est ouvert, il se fermera automatiquement 30 secondes après le départ de l'utilisateur.
- Lorsque l'abattant est relevé, l'abattant et le couvercle de la toilette se fermeront automatiquement et déclencheront une chasse d'eau une fois que l'utilisateur aura quitté les lieux.
- Si la fonction de chasse d'eau a déjà été activée pendant l'utilisation, aucune chasse d'eau supplémentaire ne se produira après la fermeture du couvercle.

### Distance du capteur réglable pour l'ouverture du couvercle

- La distance de détection par défaut pour l'ouverture automatique du couvercle est de 15,7 à 23,6 po (40 à 60 cm). Six niveaux de distance de détection réglables sont offerts dans une plage de 0 à 100 cm (0 à 39,4 po). Le niveau 0 désactive le capteur de mouvement, tandis que les niveaux 1 à 5 correspondent respectivement à des distances de détection de 20 cm (7,9 po), 40 cm (15,7 po), 60 cm (23,6 po), 80 cm (31,5 po) et 100 cm (39,4 po).
- Maintenez le bouton " COUVERCLE " de la télécommande enfoncé pendant 3 secondes, jusqu'à ce que vous entendiez un bip, puis relâchez pour entrer en mode de réglage.
- Appuyez sur " TEMPÉRATURE DU SIÈGE " pour augmenter d'un niveau, et sur " TEMPÉRATURE DE L'EAU " pour diminuer d'un niveau.

## DESCRIPTION DE LA FONCTION

- Après les réglages, maintenez à nouveau "**COUVERCLE**" pour quitter.
- Retestez la distance de détection.

### Coup de pied pour faire basculer le couvercle et le siège

- Lorsque le couvercle est fermé, l'activation du capteur de pied déclenche l'ouverture automatique du couvercle ;
- Lorsque le couvercle est ouvert et que le siège est fermé, une nouvelle activation du capteur de pied entraîne l'ouverture du siège ;
- Lorsque le siège est ouvert, une ultime activation provoque la fermeture séquentielle du couvercle et du siège, suivie immédiatement du déclenchement de la chasse d'eau automatisée.

### Déclenchement automatique de la chasse d'eau après détection de départ de l'utilisateur

Dès qu'un utilisateur reste assis plus de cinq secondes, la chasse d'eau se déclenche automatiquement après son départ.

### Chasse d'eau en cas de panne d'électricité

Les toilettes sont équipées d'une batterie de secours. En cas de panne de courant, il suffit d'appuyer brièvement sur le bouton de commande "**RINÇAGE**" pour activer la fonction de rinçage.

### Mousse de la cuvette

Lorsque les toilettes sont en mode veille, veuillez suivre les étapes suivantes pour activer la fonction d'humidification :

- Pour activer la fonction '**Mousse de la cuvette**', appuyez et maintenez enfoncé le bouton de commande en mode '**ARRIÈRE**' pendant 3 secondes jusqu'à entendre un bip.
- Dans les 2 secondes qui suivent le bip, appuyez sur le bouton "**RINÇAGE**" de la télécommande.
- Veillez à ce que toutes les étapes soient suivies correctement pour que la fonction d'humidification soit activée.

### Appairage de la télécommande aux toilettes

- En mode veille, appuyez et maintenez enfoncé le bouton de commande en mode "**ARRIÈRE**" pendant environ 3 secondes. Après avoir entendu le son de l'invite, relâchez-le. Attendez environ 2 secondes avant d'entendre à nouveau le son de l'invite, indiquant que la télécommande est entrée en mode de correspondance de code. Appuyez sur n'importe quel bouton de la télécommande pour faire correspondre le code avec succès.
- Chaque télécommande correspond à un code d'adresse unique. Avant d'utiliser les toilettes désignées, il est nécessaire d'appairer la télécommande une fois pour pouvoir l'utiliser. Dans le cas contraire, la télécommande ne fonctionnera pas.

### Bouclier Moussant

- Mode manuel : en mode d'attente, appuyez sur "**SÉCHOIR**" une fois pour l'activer (environ 12 secondes).
- Mode automatique : en mode d'attente, appuyez sur "**SPA**" pour activer le mode automatique. La mousse s'active automatiquement lorsque vous êtes assis. Laissez au moins 5 minutes entre les utilisations. Appuyez et maintenez à nouveau "**SPA**" pour l'éteindre.

## DESCRIPTION DE LA FONCTION

### Bouton de commande

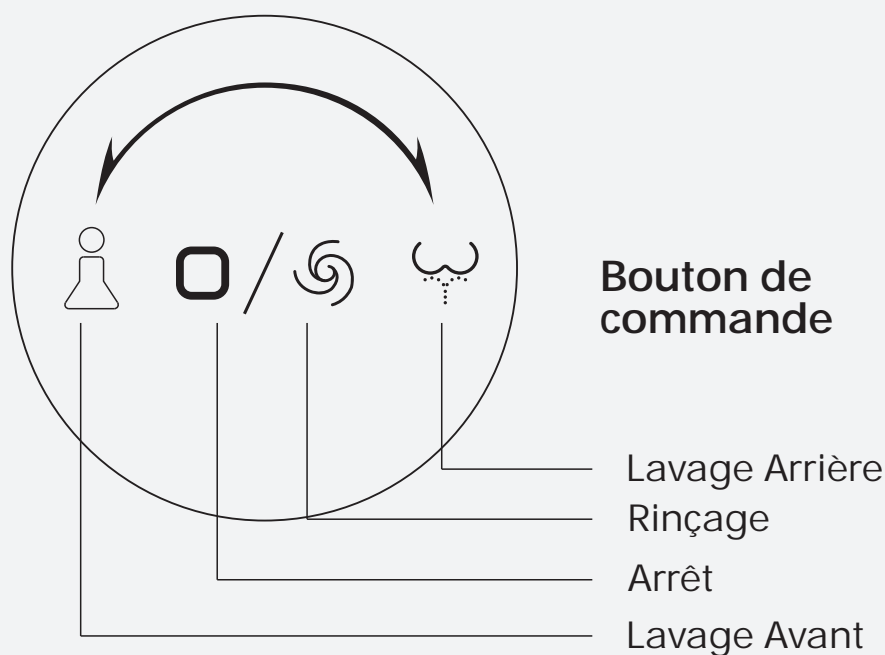
Le bouton de commande latéral a 4 fonctions : [Séchoir/Rinçage], [Arrière], [Avant], [Arrêt].

#### Lorsque les toilettes ne sont pas utilisées :

- Appuyez sur le bouton pour tirer la chasse d'eau.
- Appuyez sur le bouton et maintenez-le enfoncé pendant 5 secondes pour allumer/éteindre les toilettes.

#### Lorsque les toilettes sont utilisées :

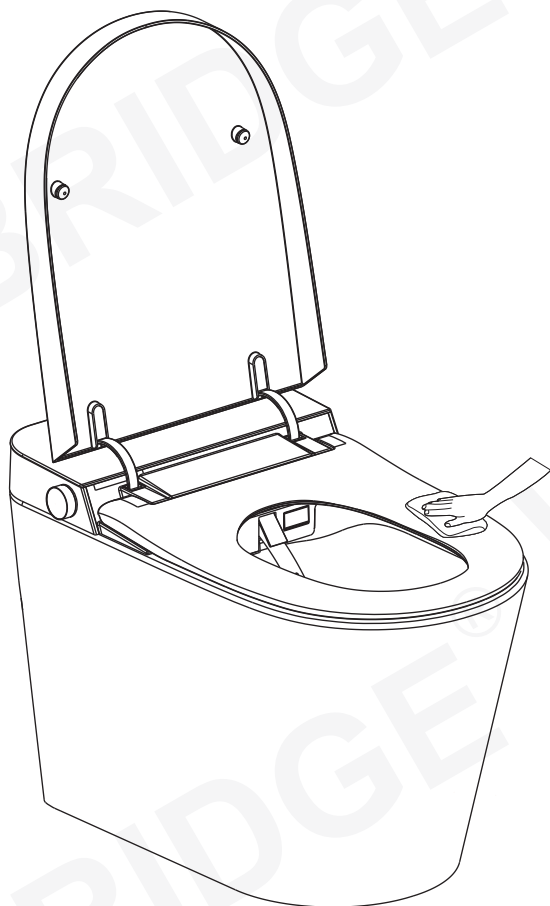
- Tournez le bouton dans le sens des aiguilles d'une montre pour activer la douchette et démarrer le lavage arrière.
- Tournez le bouton dans le sens inverse des aiguilles d'une montre pour activer la douchette et lancer le lavage avant.
- Appuyez sur le bouton et maintenez-le enfoncé pendant 3 secondes, les toilettes activeront d'abord la fonction de rinçage avant le séchage.
- Mode à une touche: Tournez le bouton dans le sens lavage arrière/lavage avant et maintenez-le enfoncé pendant 3 secondes pour activer le mode à une touche. Les toilettes effectueront automatiquement la séquence suivante:  
Lavage Arrière/Avant → Chasse d'eau → Séchage.



## ENTRETIEN QUOTIDIEN

### Entretien et maintenance de l'unité principale

1. Coupez l'alimentation électrique avant d'effectuer la maintenance.
2. Nettoyez les taches avec un chiffon doux et humide.



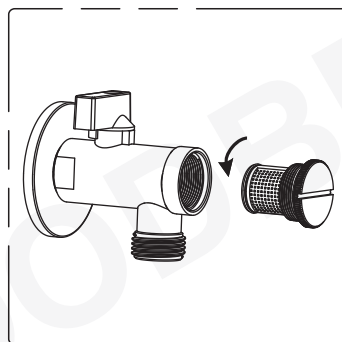
3. Après le nettoyage, rebranchez l'alimentation des toilettes. Éteignez l'alimentation et fermez le robinet d'arrêt d'eau.

### Entretien du filet filtrant

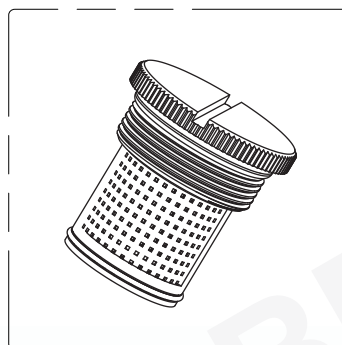
L'entretien est nécessaire lorsque le système est soumis à une pression d'eau normale mais que la performance de la chasse d'eau est médiocre.

1. Éteignez l'alimentation électrique et fermez le robinet d'arrêt d'eau.

2. Dévisser l'écrou du robinet d'équerre.



3. Utiliser une brosse pour nettoyer le filet du filtre.



4. Réinstaller le filet filtrant

5. Les toilettes reviendront à un fonctionnement normal après l'auto-vérification.

## ENTRETIEN QUOTIDIEN

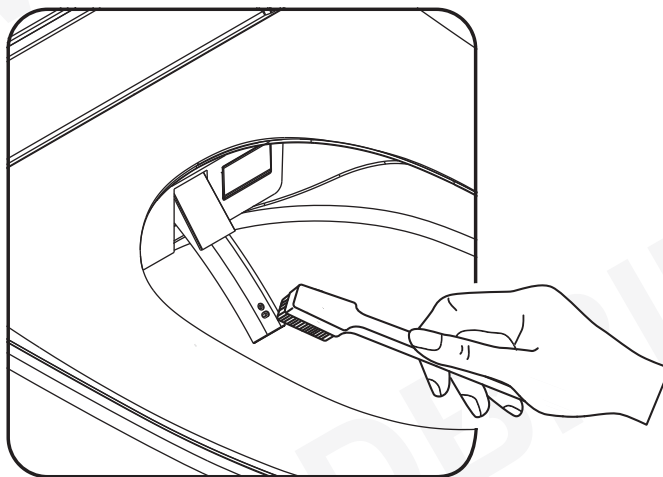
### Entretien et maintenance de la buse de pulvérisation

En cas de taches sur la buse :

1. Ouvrez le couvercle et le siège.

2. Avec le produit connecté à l'eau et à l'électricité, tournez le bouton dans le sens inverse des aiguilles d'une montre, vers la fonction de lavage avant (FRONT), et maintenez-le jusqu'à entendre un signal sonore. La buse s'allongera et de l'eau propre s'écoulera par l'orifice d'auto-nettoyage.


3. Brossez délicatement la buse à l'aide d'une petite brosse.



4. Appuyez sur le bouton "ARRÊT" des toilettes ou de la télécommande pour rétracter la buse.

## GUIDE DE DÉPANNAGE

Problème	Cause	Solution
Pas d'eau à la buse	Le tuyau d'arrivée d'eau est plié et bloqué	Résoudre le problème de la flexion du tuyau d'arrivée d'eau
	Le robinet d'entrée d'eau est fermé	Ouvrir le robinet d'arrivée d'eau
	L'alimentation en eau est coupée	Brancher l'alimentation en eau et attendre que l'eau arrive
	Le capteur ne fonctionne pas	Modifiez votre position assise pour vous assurer que le capteur fonctionne.
Faible nettoyage de l'eau	Le tuyau d'arrivée d'eau est plié au point de provoquer un blocage partiel	Résoudre le problème de flexion du tuyau d'arrivée d'eau
	Le robinet d'arrivée d'eau n'est pas complètement ouvert	Ouvrir complètement le robinet d'arrivée d'eau
	Le filtre d'entrée est bloqué	Nettoyer le filtre

Problème	Cause	Solution
Température de l'eau trop basse	La température de l'eau est réglée sur le niveau de température normale.	Réinitialiser la température de l'eau
Faible température du siège	La température du siège est réglée sur le niveau de température normale.	Réinitialiser la température du siège
Température de l'air	La température de l'air est réglée sur le niveau de température normale.	Réinitialiser la température de l'air
S'arrête en cours d'utilisation	Les fonctions du sèche-linge s'arrêtent automatiquement après 3 minutes d'utilisation continue.	Redémarrer la fonction de séchage
	Les fonctions de nettoyage s'arrêtent automatiquement après 2 minutes d'utilisation continue.	Redémarrer la fonction de nettoyage
	Le capteur du siège n'a pas pu détecter la présence de l'utilisateur.	Ajustez votre position assise pour assurer l'activation du capteur.
La tige de pulvérisation ne peut pas se rétracter	Mise hors tension	Poussez légèrement la tige vers l'arrière et attendez que le courant passe.
	Impuretés bloquées	Éliminez les impuretés
La tige de pulvérisation ne peut pas s'étendre	L'alimentation est coupée	Pousser doucement la tige de pulvérisation vers l'avant et attendre que le courant soit rétabli
	Absence d'assise dans la zone de détection	S'asseoir correctement dans la zone de détection
L'écran de la télécommande ne fonctionne pas	Inversion de la polarité de la batterie	Réinsérer la batterie en respectant la polarité
Les toilettes fuient	Fermez le robinet d'angle, inspectez toutes les conduites d'eau et contactez un professionnel.	
 <b>Attention</b>	Si les problèmes ne peuvent pas être résolus en utilisant les méthodes ci-dessus, veuillez couper l'alimentation et le robinet d'arrêt d'eau, puis contactez les fournisseurs de services pour la maintenance.	
	Si le disjoncteur différentiel déclenche fréquemment, indiquant une fuite de courant, coupez l'alimentation et le robinet d'arrêt d'eau, puis contactez le fournisseur de services pour la maintenance.	

Woodbridge garantit que les produits énumérés ci-dessous sont exempts de tout défaut de matériau et de fabrication, sous réserve des limitations stipulées dans la présente garantie limitée.

- Baignoire, baignoire de massage à remous/à bulles d'air, baignoire à immersion froide, Baignoire en bois: 1 an de garantie contre les défauts de matériaux et de fabrication.
- Salle de sauna et tente de sauna: 1 an de garantie contre les défauts de matériaux et de fabrication.
- Toilettes et bidet: 1 an de garantie contre les défauts de matériaux et de fabrication.
- Robinetterie: 1 an de garantie contre les défauts de matériaux et de fabrication.
- Meuble-lavabo et dessus de meuble-lavabo: 1 an de garantie contre les défauts de matériaux et de fabrication.
- Dessus de meuble-lavabo en granit, en marbre ou en quartz reconstitué: 1 an de garantie contre les défauts de matériaux et de fabrication.
- Armoire à pharmacie, miroir à DEL: 1 an contre les défauts de matériaux et de fabrication.
- Évier en acier inoxydable: 1 an de garantie contre les défauts de matériaux et de fabrication.
- Panneau de douche en surface solide et receveur de douche en SMC : garantie limitée de 10 ans contre tout défaut de matériau.
- Couvercle de drain et drain en PVC: garantie limitée de 1 an contre les défauts de matériaux et de fabrication.
- Porte de douche: garantie à vie sur les composants en verre et garantie limitée à 1 an sur les autres éléments de quincaillerie.

Cette garantie limitée n'est pas transférable et ne s'applique qu'aux produits achetés et installés aux États-Unis et au Canada.

Cette garantie limitée exclut toute utilisation industrielle, commerciale ou professionnelle. Une preuve d'achat (reçu de vente original) du premier acheteur, ainsi qu'une description et des photos du défaut, le numéro de modèle ou la description du modèle doivent être fournis à Woodbridge Bath pour toute réclamation au titre de la garantie. Woodbridge Bath n'est PAS responsable des coûts de main-d'œuvre, ni des frais de dépose ou d'installation.

Cette garantie limitée ne s'applique pas aux produits ayant fait l'objet d'un accident, d'une négligence, d'une installation incorrecte, d'un abus ou d'une mauvaise utilisation du produit, ou de l'utilisation de nettoyeurs contenant des abrasifs, de l'alcool ou d'autres solvants organiques, que cette utilisation soit effectuée par un entrepreneur, une société de service ou vous-même.

Cette garantie ne couvre pas les dommages de surface causés par l'utilisation de produits chimiques qui percent ou dissolvent la finition de la surface ou les dommages causés par la chute accidentelle d'objets lourds ou tranchants. Un mauvais entretien et l'utilisation de nettoyeurs abrasifs annulent la garantie.

Pendant cette période de garantie limitée, si un dysfonctionnement se produit et qu'après inspection il est déterminé qu'un défaut est apparu lors d'une utilisation normale, Woodbridge se réserve le droit, à sa discrétion, de prendre l'une des actions suivantes :

- (1) réparer ou remplacer la ou les pièces ou le ou les produits défectueux au prix coûtant
- (2) rembourser le prix d'achat initial du ou des produits (valable dans un délai de 30 jours à compter de la date d'achat)
- (3) émettre un crédit à appliquer à l'achat d'un nouveau produit. Des frais d'expédition ou de livraison peuvent s'appliquer. La décision d'imposer de tels frais, ainsi que leur montant et les conditions dans lesquelles ils s'appliquent, relève exclusivement de la discrétion de Woodbridge.

Attention:

N'UTILISEZ JAMAIS de produits nettoyeurs contenant des abrasifs, de l'ammoniaque, de l'eau de Javel, des acides, des cires, de l'alcool, des solvants ou tout autre produit non recommandé pour les finitions chromées. Le non-respect de cette instruction entraînera l'annulation de la garantie.

Woodbridge recommande fortement que l'installation soit effectuée par un professionnel qualifié et assuré afin d'assurer la performance et la sécurité du produit.

## RESPONSABILITÉS D'AUTRUI

L'inspection de l'appareil avant son installation incombe à l'installateur ou à l'entrepreneur en bâtiment qui agit au nom de l'utilisateur. Il doit s'assurer que l'appareil ne présente aucun défaut ou dommage. Des avis sont placés sur l'appareil et sur le carton d'expédition pour informer l'installateur de cette responsabilité. En cas de problème, l'appareil ne doit pas être installé. Woodbridge n'est pas responsable des défaillances ou des dommages qui auraient pu être découverts, réparés ou évités par une inspection et des essais appropriés avant l'installation. Les dommages survenus pendant le transport relèvent de la responsabilité du transporteur.

L'installateur DOIT ouvrir la caisse et inspecter l'appareil pour vérifier qu'il n'est pas endommagé lors de la livraison. Si des dommages sont constatés, ils doivent être immédiatement signalés par écrit au vendeur et au transporteur, et une inspection doit être demandée. L'absence de réponse du transporteur doit être signalée au vendeur et au transporteur. Les réclamations concernant le fret doivent être déposées sans délai.

Cette garantie limitée ne couvre pas la responsabilité pour les dommages consécutifs ou accessoires, qui sont tous expressément rejetés par la présente, ou l'extension au-delà de la durée de cette garantie limitée de toute garantie limitée implicite, y compris celles de la qualité marchande ou de l'adéquation à l'usage prévu.

## CLAUSE DE NON-RESPONSABILITÉ

Sauf disposition expresse, il n'existe aucune garantie ou obligation, expresse ou implicite, orale ou statutaire. Aucun revendeur ou autre personne n'est habilité à donner des garanties ou à faire des déclarations concernant ses produits. En aucun cas, nous ne pourrions être tenus responsables de telles garanties ou représentations.

Certains États/provinces n'autorisent pas la limitation de la durée d'une garantie implicite, ni l'exclusion ou la limitation des dommages spéciaux, accessoires ou indirects, de sorte que ces limitations et exclusions peuvent ne pas s'appliquer à vous. Cette garantie vous donne des droits légaux spécifiques, vous pouvez également avoir d'autres droits qui varient d'un état/province à l'autre.

Pour bénéficier de la garantie et obtenir des pièces de rechange, veuillez envoyer un courrier électronique à [help@woodbridgebath.com](mailto:help@woodbridgebath.com) en joignant les informations du reçu original. Woodbridge déterminera s'il convient de réparer ou de remplacer votre produit, de le rembourser ou de lui accorder un crédit.

**IMPORTANT!**

**N'UTILISEZ PAS:** Des nettoyants abrasifs tels que l'acide, l'ammoniaque, l'eau de Javel et autres solutions similaires. L'utilisation de telles solutions peut provoquer de la corrosion, un décollement de la finition et/ou un ternissement de la surface.

**N'UTILISEZ PAS:** Des éponges ou des tissus abrasifs. N'utilisez jamais d'objets tels que de l'acier, de la laine ou des brosses métalliques qui rayeraient de façon permanente la surface du produit.

**Conservez ces instructions d'installation pour vous y référer ultérieurement!**

**Merci d'utiliser les produits WOODBRIDGE!**

**WOODBRIDGE®**

Canada (Ontario) Centre de distribution  
615 Orwell Street, Unit C, Mississauga, ON L5A2W4, Canada

California (Norwalk) Centre de distribution  
15600 Blackburn Ave, Norwalk, CA 90650

New Jersey (Somerset) Centre de distribution  
635 Pierce St, Somerset, NJ 08873

Floride (Orlando) Centre de distribution  
13645 S Orange Ave, Orlando, FL 32824

**SCANNEZ  
-MOI**

**Pour activer  
la garantie**



Si vous avez des questions ou des préoccupations, n'hésitez pas à nous contacter.

Téléphone du service à la clientèle: 562 -229 -0088.(9 h à 17 h, heure normale du Pacifique, du lundi au vendredi) ou par courriel à: [help@woodbridgebath.com](mailto:help@woodbridgebath.com)