

INSTALLATION AND CARE GUIDE

WOODBIDGE® AIR AND WHIRLPOOL HEATED BATHTUB

BJ200

BJ300



To Activate
Warranty



Certified to the following Codes & Standards:

- UL 1795 Safety Standard for Hydromassage Bathtubs (UL1795)
- ASME A112.19.7 / CSA B45.10 - Hydromassage Bathtub Systems
- CSA B45.5/IAPMO Z124 - Plastic Plumbing Fixtures
- International Plumbing Code® (IPC)
- International Residential Code® (IRC)
- Uniform Plumbing Code® (UPC)
- National Plumbing Code of Canada® (NPC)



READ ALL INSTRUCTIONS BEFORE UNPACKING THE PRODUCT

INSTRUCTIONS THAT, IF IGNORED COULD RESULT IN DEATH OR SERIOUS INJURY CAUSED BY INCORRECT HANDLING OR INSTALLATION OF THE PRODUCT. THESE INSTRUCTIONS MUST BE OBSERVED FOR SAFE INSTALLATION.

CAUTION!



**TWO PEOPLE
LIFT REQUIRED**

**2 PEOPLE ARE REQUIRED TO LIFT AND COMPLETE
INSTALLATION OF THIS PRODUCT**

- Woodbridge strongly recommends installation by a licensed and insured professional to ensure proper performance and safety.
- We are not responsible for local code compliance for this product. Building and plumbing codes may vary from state-to-state in accordance to your location. We are not responsible for providing any compliance certifications.
- Under no circumstances shall we be liable for any and all incidental damages sustained in connection with this product. Neither manufacturer, nor distributor, nor retailer is responsible for water damage or flood caused due to use of this product.
- Under no circumstances shall we be liable for any and all fees, cost of installation/reinstallation/removal, subsequent damage or transportation in case of the product defect.

BEFORE YOU BEGIN

- Please read these instructions carefully to familiarize yourself with the required tools, materials, and installation sequences. Follow the sections that pertain to your particular installation. This will help you avoid costly mistakes. In addition to proper installation, read all operating and safety instructions.
- All information is based on the latest product information available at the time of publication. WOODBRIDGE® reserves the right to make changes in product characteristics, packaging, or availability at any time without notice.

PRODUCT REQUIREMENTS

A. Summary Of Key Requirements

Observe all local plumbing codes, Install the unit to a level subfloor, Provide properly-dimensioned framing.

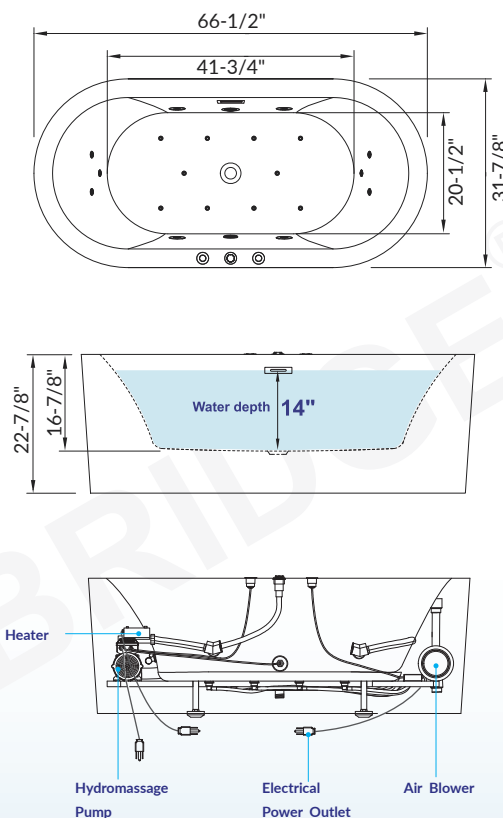
B. Product Inspection

Uncrate and inspect bathtub for damage.

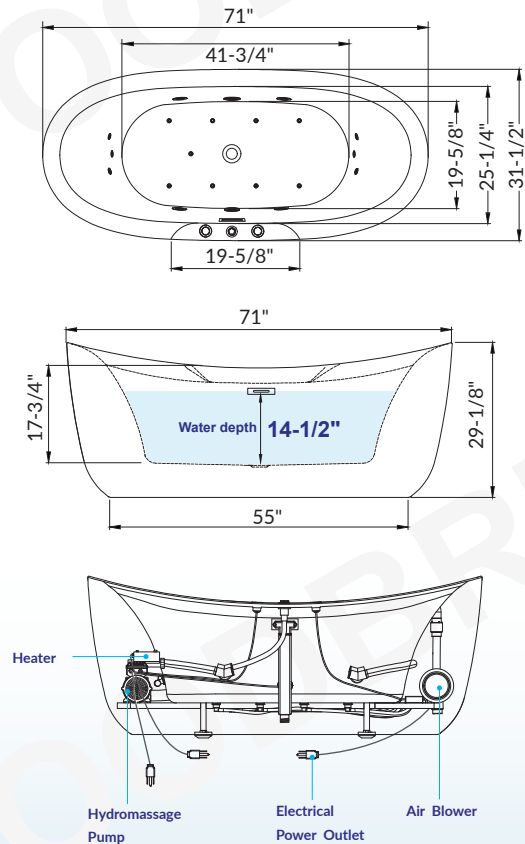
Leave all materials in the crate during construction to prevent damage, or lost items.

ROUGHING-IN

BJ200



BJ300



Built-in heater for consistent water temperature

IMPORTANT INFORMATION

- Measurements are $\pm 1/2$ " and subject to change without notice
- Specifications & Configurations are subject to change without notice
- Please measure tub on-site before installation
- Measurements herein supersede all others published prior to publication date shown below
- Before ordering or installing, please consider future access to equipment

INSTALLATION REQUIREMENTS

A. Tools Required

- Adjustable pipe
- wrench
- Ruler
- Level
- Safety shoes
- Safety glasses
- Square
- Screwdriver
- Pliers
- Utility knife

B. Materials Required:

- Plumbers putty
- Wall coverings, as necessary
- Silicone sealant
- Gypsum cement (optional)
- Construction adhesive (optional)
- Protective covering for bathtub
- Nails

C. Clearance Requirements:

Check the rough-in and room dimensions to provide adequate space for the bath unit.

SITE REQUIREMENTS

A. Plumbing Preparation

Position the plumbing according to rough-in dimensions.
Cap the supplies and check for leaks.

BEFORE INSTALLING UNIT

CAUTION: Ensure a watertight seal on the bath drain connections.

- A. Install the faucet valving and shower head tee. When drilling bathtub for faucet, ensure sufficient clearance. Open the hot and cold water valves and check the supply connections for leaks.
- B. Run water into the bath and check the drain connections for leaks.
- C. Fill the bathtub up to the overflow level and check overflow unit for leaks.

INSTALL BATHTUB

This product should be installed by a fully insured and licensed plumber.

- 1) Your new bathtub has been manufactured to the highest possible standards, it has been tested and approved by factory.
- 2) When removing bathtub from protective carton. **DO NOT LIFT BATHTUB BY PIPE WORK.** Inspect for any possible damage that may have occurred in transit.

IMPORTANT: Bathtub must be installed level on all top edges.

- 3) Set the bathtub on two 4 × 4 pieces of lumber. So you can access from the bottom of the bathtub.
- 4) Connect Power Supply:
Connect power supply to control unit. Electrical connections should comply with local electrical codes and are recommended to be performed by a qualified electrician to ensure safety and proper operation.
- 5) Fill bathtub with water to approximately 40 mm(1.6") above the jets and trial run the pump for 10-15 minutes. Check all the fittings for leaks and test the control functions. Switch off the spa pump and leave the unit filled with water (pump is not running) for at least another two minutes. Check the pump and pipes union connections for leaks. Hand tighten union connections if required.

IMPORTANT: Your bathtub has been factory tested and approved. It is the responsibility of the installer to test run the bathtub, check all the fittings for leaks and test the control functions. NON OBSERVANCE WILL INVALIDATE FACTORY WARRANTY.

- 6) The unit must be connected only to a supply circuit that is protected by a Ground-Fault Circuit Interrupter (GFCI). Such a GFCI should be provided by the installer and should be tested on a routine basis.

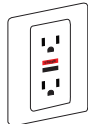


ELECTRICAL REQUIREMENTS



HEATED AIR MASSAGE TUB, HEATED WHIRLPOOL TUB

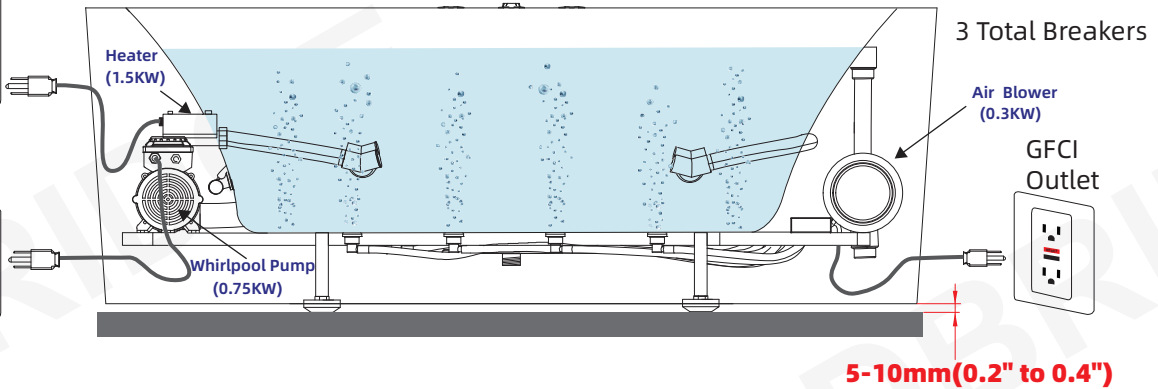
GFCI Outlet



GFCI Outlet



BJ200



For Air Bath and Whirlpool Tub installation, Do not apply any silicone sealant after installation, leave a 5-10mm(0.2" to 0.4")gap for motor/pump ventilation purpose.

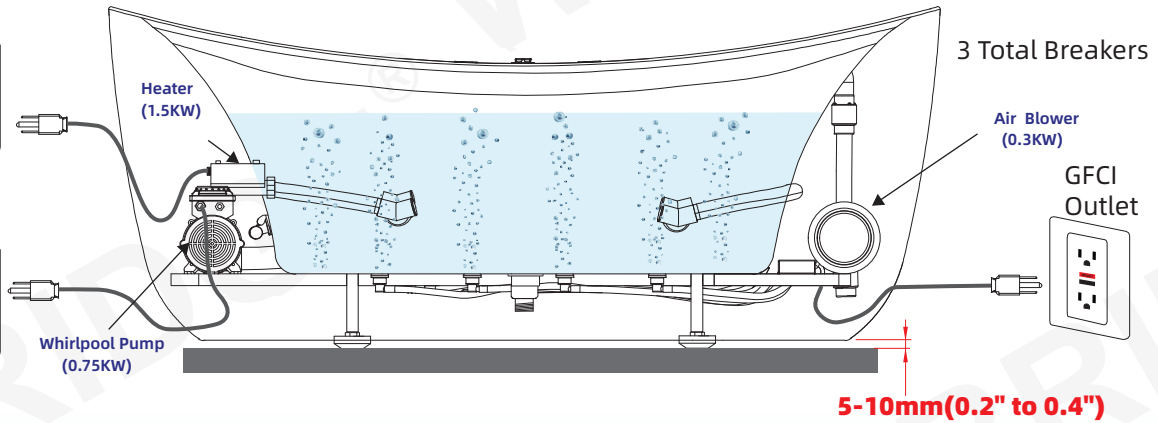
GFCI Outlet



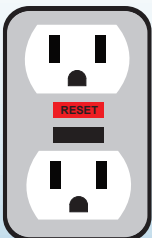
GFCI Outlet



BJ300



110V-120V 15A
Dedicated
GFCI Breaker



Pump(110V-120V 60HZ)
Thermostat Heater(110V-120V 60HZ)
Air Blower(110V-120V 60HZ)

There are 3 Dedicated 110V-120V 15A GFCI Breakers. Voltage drop is acceptable within this range, with 110V as the standard.

1. One (1) Dedicated GFCI Breaker for the Whirlpool Pump.
2. One (1) Dedicated GFCI Breaker for the Air Massage Blower.
3. One (1) Dedicated GFCI Breaker for the Heater

Heater automatically on when pump starts and will automatically heat up to 100°F / 38°C.
Heater will stop heating when water temperature reaches 100°F / 38°C.

Each Accessory Requires a Dedicated 110V-120V 15A GFCI Breaker. Voltage drop is acceptable within this range, with 110V as the standard.

IMPORTANT SAFETY RULES

ATTENTION! ALWAYS FOLLOW THESE PRECAUTIONS WHEN USING A BATHTUB

- ⚠ Warning** The bathtub must be installed and used as described in this manual.
- ⚠ Warning** Use caution when entering or exiting the bathtub.
- ⚠ Warning** Do not permit children or persons with infirmities to use the bathtub without supervision of an adult.
- ⚠ Warning** People using any medications or having adverse medical history must consult a physician prior to use of the bathtub to avoid potential hyperthermia and possible drowning.
- ⚠ Warning** Water temperature over 100°F(38°C) may cause hyperthermia and/or other health problems. Check water temperature and adjust it for your personal comfort.
- ⚠ Warning** Never use bathtub while intoxicated, after taking meals or any alcoholic beverages. Consuming alcoholic beverages before or during bathing will cause drowsiness and may result in hyperthermia, loss of consciousness, or even drowning.
- ⚠ Warning** If you are pregnant or you feel that you are may be pregnant, consult your doctor before using the bathtub.
- ⚠ Warning** Never use any electrical devices such as hair dryer, lamp, telephone, tv, radio, or others within 5 feet (1.5 meters) of the bathtub.
- ⚠ Warning** Do not overfill the bathtub before enetering. Entering the bathtub when filled will cause overflow and slippery conditions. Use extreme caution when entering and exiting.

Care and Cleaning

- Most dirt will wash off with mild soap and warm water.
- For tough spots, use liquid dish washing soap or non-chlorine bleach.
- Do not use abrasive material such steel wool or scouring pads to clean the acrylic surface.
- Always test the cleaning solution on a small area before using it on the entire surface.
- Do not allow cleaning to soak on the acrylic surface.
- Rinse thoroughly with water immediately and wipe dry with soft cloth.

Repair and Maintenance

- Use liquid polish compound such as Gel-Gloss Kitchen and Bath Polish(TM) to keep the original shine of acrylic surface.
- Light scratches can be removed with polishing compound for automobiles.
- For deeper scratches use wet sandpaper (1500 grit or higher). Always add water when sanding and lightly sand the area larger than the scratch in a circular motion to remove the scratches. Repeat until the scratch is removed. Use soft cloth and small amount of polishing compound to restore shine. Repeat as needed until surface shine is restored.

Woodbridge warrants the following products as listed below to be free from defects in material and workmanship, subjected to the limitations set forth in this limited warranty.

- Bathtub, Whirlpool/Air Bubble Massage Tub, Cold Plunge, Wooden Tub: 1 Year limited to be free of defects in material and workmanship.
- Sauna room and Sauna Tent: 1 Year limited to be free of defects in material and workmanship.
- Toilet and Bidet: 1 Year limited to be free of defects in material and workmanship.
- Faucet: 1 Year limited to be free of defects in material and workmanship.
- Vanity and Vanity Top: 1 Year limited to be free of defects in material and workmanship.
- Granite, Marble, Engineered Quartz Vanity Top: 1 Year limited to be free of defects in material and workmanship.
- Medicine Cabinet, LED Mirror: 1 Year limited to be free of defects in material and workmanship.
- Stainless Steel Sink: 1 Year limited to be free of defects in material and workmanship.
- Solid Surface Shower Wall Panel, SMC Shower Base: 10 Years limited warranty to be free from material defects.
- Drain Cover and PVC Drain: 1 Year limited to be free of defects in material and workmanship.
- Shower Door: Lifetime warranty on glass components and 1 Year limited on other hardware.

This limited warranty is non-transferable and only applies to products purchased and installed in the United States and Canada

This limited warranty excludes all industrial, commercial and business usage. Proof of purchase (original sales receipt) from the original purchaser, Description and pictures of defect, model number or model description must be provided to Woodbridge Bath for all warranty claims and Woodbridge Bath IS NOT responsible for labor cost, removal or installation costs.

This limited warranty shall not apply to goods which have been subject to accident, negligence, improper installation, product abuse, product misuse, or use of cleaners containing abrasives, alcohol or other organic solvents, whether performed by a contractor, service company, or yourself, are excluded from this warranty.

This warranty does not cover surface damaged caused by use of chemicals that break through or dissolve the surface finish or damage caused by the accidental dropping of sharp or heavy objects. Improper care and use of abrasive cleaners and will void the warranty.

During this limited warranty period if a malfunction occurs and after inspection it is determined that a defect developed during normal use, Woodbridge reserves the right to take any of the following actions at its discretion:

- (1) repair or replace the defective part(s) or product(s) at cost**
- (2) issue a refund of the original purchase price of the product(s) (Valid within 30 days from the date of purchase)**
- (3) issue a credit to be applied toward the purchase of a new product. Shipping or delivery charges may apply. Whether such charges are required, and the amount and conditions under which they apply, shall be determined solely at the discretion of Woodbridge.**

Caution:
NEVER use cleaners containing abrasives, ammonia, bleach, acids, waxes, alcohol, solvents or other products not recommended for chrome finishes. Doing so will void the warranty.
Woodbridge strongly recommends installation by a licensed and insured professional to ensure proper performance and safety.

RESPONSIBILITIES OF OTHERS

Inspecting the unit prior to installation is the responsibility of the installer or building contractor who acts on behalf of the user. They are responsible for ensuring the unit is free of defect or damage. Notices are placed on the unit and on the shipping carton advising the installer of this responsibility. In the event of a problem, the unit must not be installed. Woodbridge is not responsible for failures or damage that could have been discovered, repaired, or avoided by proper inspection and testing prior to installation.

Damage occurring in transit is the responsibility of the carrier. The user or installer MUST open the crate and inspect the unit for damage when it is delivered. If damage is discovered, it must be reported immediately to the seller and the carrier in writing, and an inspection requested. Failure of the carrier to respond should be reported to the seller and the carrier. Your freight claims should be filed promptly thereafter.

This limited warranty does not cover any liability for consequential or incidental damages, all of which are hereby expressly disclaimed, or the extension beyond the duration of this limited warranty of any implied limited warranties, including those of merchantability or fitness for an intended purpose.

DISCLAIMER

Except as expressly provided, there shall be no warranty or obligation, express or implied, oral or statutory. No dealer or other person has the authority to make any warranties or representations concerning or its products. In no event shall be held responsible for any such warranties or representations.

Some states/provinces do not allow limitations on how long an implied warranty lasts, or the exclusion on limitation of special, incidental or consequential damages, so these limitations and exclusions may not apply to you. This warranty gives you specific legal rights, you may also have other rights which vary from state/province to state/province.

To obtain warranty and replacement parts, please send e-mail to help@woodbridgebath.com with the original receipt information, Woodbridge will determine whether to repair or replace your product, issue a refund or issue a credit.

IMPORTANT!

DO NOT USE: Abrasive cleaners such as: acid, ammonia, bleach, and similar solutions. Use of such solutions may cause corrosion, finish peeling, and/or dull the surface.

DO NOT USE: Abrasive sponges or cloths. Never use steel, wool, or wired brushes that will permanently scratch the surface.

Retain these installation instructions for future reference!

Thank you for using **WOODBIDGE** products!

WOODBIDGE®

California (Norwalk) Distribution Center
15600 Blackburn Ave, Norwalk, CA 90650

New Jersey (Somerset) Distribution Center
635 Pierce St, Somerset, NJ 08873

Florida (Orlando) Distribution Center
13645 S Orange Ave, Orlando, FL 32824

Canada (Ontario) Distribution Center
615 Orwell Street, Unit C, Mississauga, ON L5A2W4, Canada

**SCAN
ME**

To Activate
Warranty



Please don't hesitate to contact us if you have any questions or concerns.

Customer Service Phone: 562-229-0088. (Monday - Friday 9 AM - 5 PM Pacific Standard Time)

Or Email: help@woodbridgebath.com

GUIDE D'INSTALLATION ET D'ENTRETIEN

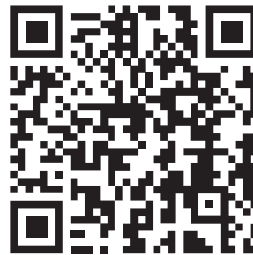
WOODBIDGE® BAIGNOIRE CHAUFFÉE À AIR ET À REMOUS

BJ200

BJ300

SCANNEZ
-MOI

Pour activer
la garantie



CERTIFICATIONS CONFORMES AUX NORMES ET STANDARDS:

- UL 1795 Safety Standard for Hydromassage Bathtubs (UL1795)
- ASME A112.19.7 (ANSI) / CSA B45.10 - Systèmes de baignoires à remoussement
- CSA B45.5/IAPMO Z124 - Fixations plastiques de plomberie
- International Plumbing Code® (IPC)
- International Residential Code® (IRC)
- Uniform Plumbing Code® (UPC)
- National Plumbing Code of Canada® (NPC)



AVANT DE DÉBALLER LE PRODUIT LISEZ TOUS LES INSTRUCTIONS.

Les instructions doivent être strictement observées pour une installation sûre. Le non-respect de ces instructions peut entraîner la mort ou des blessures graves en raison d'une manipulation ou d'une installation incorrecte.

PRÉCAUTION!



LA LEVÉE DE CE PRODUIT REQUIERT
LA PRÉSENCE DE DEUX PERSONNES

2 personnes sont nécessaires pour soulever et compléter l'installation de ce produit

- Woodbridge recommande fortement que l'installation soit effectuée par un professionnel qualifié et assuré afin d'assurer la performance et la sécurité du produit.
- Nous ne sommes pas responsables de la conformité aux codes locaux de construction et de plomberie de ce produit. Les codes de construction et de plomberie peuvent varier d'un État à l'autre. Nous ne fournissons pas de certifications de conformité.
- Sous aucune circonstance, nous ne saurions être tenus responsables : Des dommages accessoires liés à l'utilisation de ce produit ; De la responsabilité liée à des dommages causés par des plomberies (fuites, inondations).
- y compris les coûts d'installation, de réinstallation, de dépannage, de dommages ultérieurs ou de transport en cas de défaut du produit.

AVANT DE COMMENCER

- Veuillez lire attentivement ces instructions pour vous familiariser avec les outils, le matériel et les séquences d'installation requis. Suivre les sections qui se rapportent à votre installation particulière. Cela vous aidera à éviter les erreurs coûteuses. En plus d'une installation appropriée, lire toutes les instructions d'utilisation et de sécurité.
- Toutes les informations sont basées sur les dernières informations sur les produits disponibles au moment de la publication. WOODBRIDGE® réserve le droit de modifier les caractéristiques du produit, son emballage ou sa disponibilité à tout moment sans préavis.

EXIGENCES DU PRODUIT

A. Résumé des principales exigences

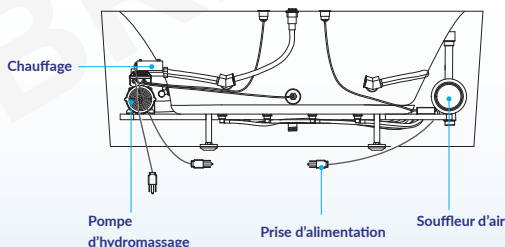
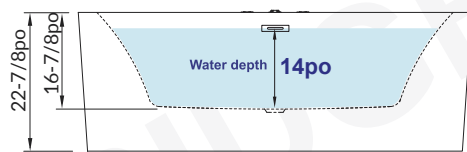
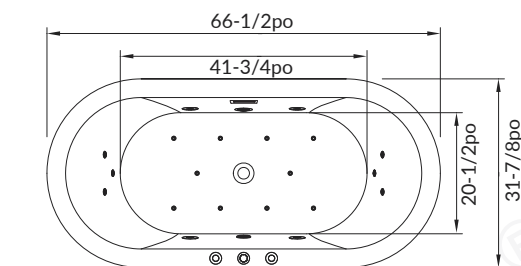
Observer tous les codes de plomberie locaux, installer l'unité à un sous-plancher de niveau, fournir un encadrement correctement dimensionné.

B. Inspection de produits

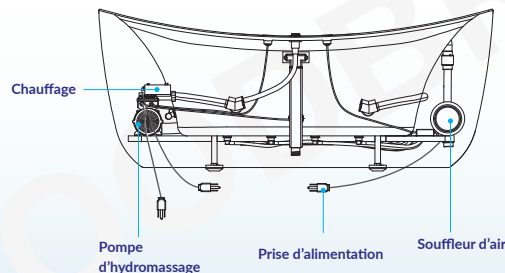
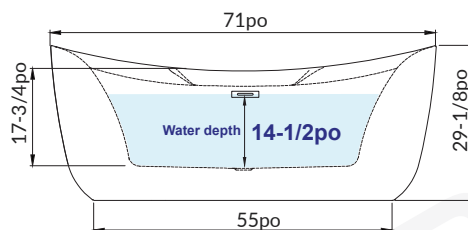
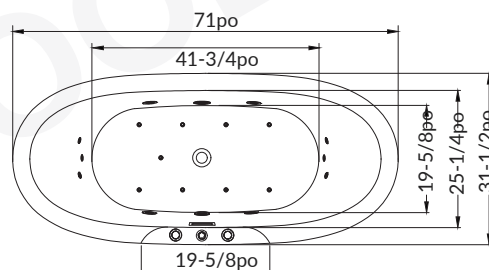
Dégeler et inspecter le bain à la recherche de dommages. Laisser tous les matériaux dans la caisse pendant la construction pour éviter les dommages.

DÉGROSSISSAGE

BJ200



BJ300



Chauffage intégré pour une température d'eau constante

INFORMATIONS IMPORTANTES

- Les mesures sont de 1/2po et peuvent changer sans préavis.
- Les spécifications et les configurations peuvent changer sans préavis.
- Mesurer la cuve sur site avant l'installation.
- Les mesures ci-après remplacent toutes les autres qui ont été publiées avant la date de publication indiquée ci-dessous.
- Avant de commander ou d'installer, veuillez tenir compte de l'accès futur à l'équipement.

EXIGENCES D'INSTALLATION

A. Outils requis

- Tuyau réglable
- Clé
- Règle
- Nivelles
- Chaussures de sécurité
- Lunettes de sécurité
- Carré
- Tournevis
- Pince
- Couteau utilitaire

B. Matériaux nécessaires:

- Mastic de plombier
- Revêtements muraux, au besoin
- Mastic de silicone
- Ciment de gypse (facultatif)
- Adhésif de construction (facultatif)
- Protection pour baignoire
- Ongles

C. Exigences de franchissement:

Vérifier les dimensions approximatives et les dimensions de la pièce pour fournir un espace suffisant pour l'unité de bain.

EXIGENCES DU SITE

A. Plumbing Preparation

Positionner la plomberie en fonction des dimensions approximatives.
Boucher les fournitures et vérifier l'absence de fuites.

AVANT D'INSTALLER L'UNITÉ

PRÉCAUTION: Assurez-vous que les raccords de vidange du bain sont étanches.

- Installer le robinet et le raccord en T de la tête de douche. Lors du perçage de la baignoire pour le robinet, assurer un dégagement suffisant. Ouvrir les vannes d'eau chaude et froide et vérifier l'absence de fuites dans les connexions d'alimentation.
- Faire couler de l'eau dans le bain et vérifier l'absence de fuites dans les raccords de vidange.
- Remplir la baignoire jusqu'au niveau supérieur et vérifier si l'unité supérieure présente des fuites.

INSTALLER UNE BAIGNOIRE

Ces produits devraient être installés par un plombier entièrement assuré et autorisé.

- 1) Votre nouvelle baignoire a été fabriquée selon les normes les plus élevées, elle a été testée et approuvée par l'usine.
- 2) Lors du retrait de la baignoire de l'emballage de protection. NE PAS SOULEVER LA BAIGNOIRE À L'AIDE DE TUYAUX. Vérifier si des dommages ont pu se produire pendant le transport.

IMPORTANT: La baignoire doit être installée au niveau de tous les bords supérieurs.

- 3) Installer la baignoire sur deux planches de bois de 4 x 4. Vous pouvez accéder depuis le fond de la baignoire.
- 4) Brancher l'alimentation:
Brancher l'alimentation à l'unité de commande. Les connexions électriques doivent être conformes aux codes électriques locaux applicables. Woodbridge recommande que les travaux électriques soient effectués par un électricien qualifié afin d'assurer la sécurité et le bon fonctionnement du produit.
- 5) Remplir la baignoire d'eau à environ 40 mm (1,6 po) au-dessus des jets et de la pompe d'essai pendant 10 à 15 minutes. Vérifier la présence de fuites sur tous les raccords et tester les fonctions de commande. Éteindre la pompe du spa et laisser l'unité remplie d'eau (la pompe ne fonctionne pas) pendant au moins deux minutes. Vérifier que les raccords de la pompe et des tuyaux ne fuient pas. Serrer les raccords à la main si nécessaire.

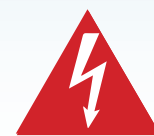
IMPORTANT: Votre baignoire a été testée et approuvée en usine. Il incombe à l'installateur de tester le fonctionnement de la baignoire, de vérifier l'absence de fuites sur tous les réglages et de tester les fonctions de contrôle. LE NON-RESPECT INVALIDERA LA GARANTIE D'USINE.

- 6) L'appareil doit être connecté uniquement à un circuit d'alimentation protégé par un disjoncteur de fuite à la terre (DDFT). Un tel DDFT devrait être fourni par l'installateur et devrait être testé sur une base régulière.

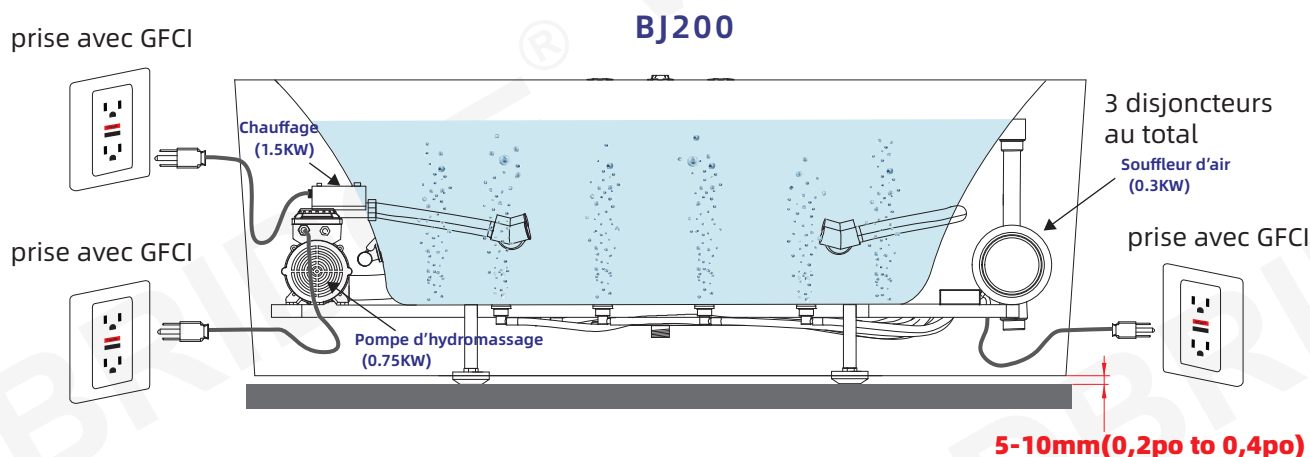
WOODBIDGE® BAIN TOURBILLON ET BAIGNOIRE PNEUMATIQUE



EXIGENCES ÉLECTRIQUES

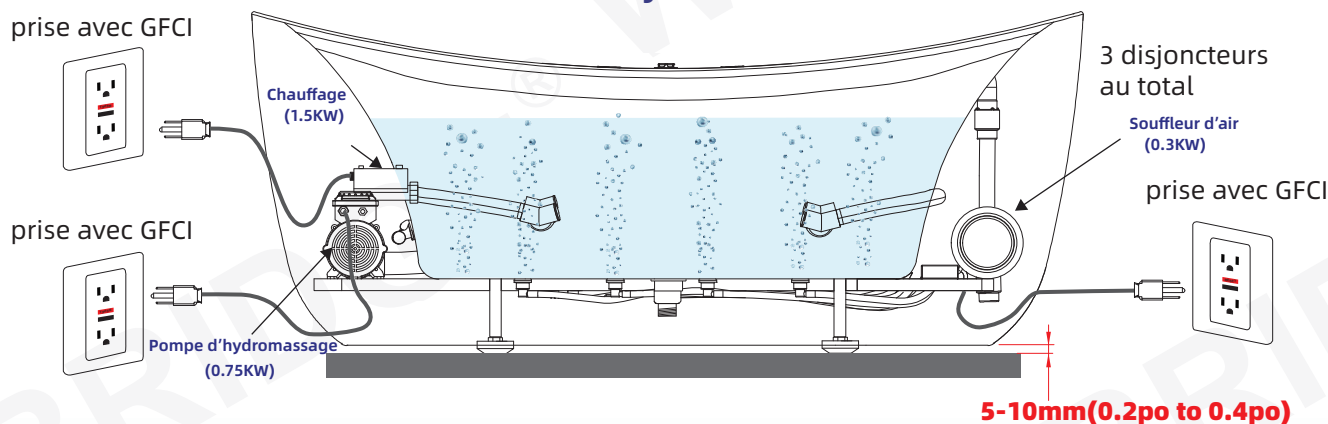


BAIN DE MASSAGE À AIR CHAUFFÉ, BAIN TOURBILLON CHAUFFÉ

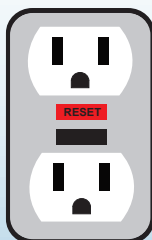


Pour l'installation du bain d'air et du bain tourbillon, Ne pas appliquer de silicone après l'installation. Laisser un espace de 5-10 mm (0,2po-0,4po) pour la ventilation du moteur/de la pompe.

BJ300



Disjoncteur différentiel (GFCI) dédié
110-120 V, 15 A



Hydromassage (110V-120V 60HZ)
Chauffage thermostatique (110V-120V 60HZ)
Souffleur d'air(110V-120V 60HZ)

Il y a 3 disjoncteurs GFCI dédiés de 110-120 V, 15 A. La chute de tension est acceptable dans cette plage, 110 V étant la norme.

1. Un (1) disjoncteur GFCI dédié pour la pompe d'hydromassage.
2. Un (1) disjoncteur GFCI dédié pour le souffleur d'air de massage.
3. Un (1) disjoncteur GFCI dédié pour le chauffage.

Le chauffage se met automatiquement en marche lorsque la pompe démarre et chauffe automatiquement jusqu'à 100°F / 38°C.

Le chauffage cesse de chauffer lorsque la température de l'eau atteint 100°F / 38°C.

Chaque application nécessite un disjoncteur GFCI dédié de 110-120 V, 15 A. La chute de tension est acceptable dans cette plage, 110 V étant la norme.

RÈGLES DE SÉCURITÉ IMPORTANTES

ATTENTION! TOUJOURS RESPECTER CES CONSIGNES LORS DE L'UTILISATION D'UNE BAIGNOIRE

- ⚠ **Avertissement** La baignoire doit être installée et utilisée conformément aux instructions de ce manuel.
- ⚠ **Avertissement** Soyez prudent(e) lorsque vous entrez ou sortez de la baignoire.
- ⚠ **Avertissement** Ne laissez pas les enfants ou les personnes fragiles utiliser la baignoire sans la surveillance d'un adulte.
- ⚠ **Avertissement** Les personnes sous traitement médical ou ayant des antécédents de santé doivent consulter un médecin avant d'utiliser la baignoire, afin d'éviter tout risque d'hyperthermie ou de noyade.
- ⚠ **Avertissement** Une température de l'eau supérieure à 38°C (100°F) peut provoquer une hyperthermie et/ou d'autres problèmes de santé. Vérifiez la température de l'eau et ajustez-la selon votre confort personnel.
- ⚠ **Avertissement** N'utilisez jamais la baignoire en état d'ébriété, après un repas ou la consommation de boissons alcoolisées. L'alcool avant ou pendant le bain peut entraîner de la somnolence, une hyperthermie, une perte de conscience, voire une noyade.
- ⚠ **Avertissement** Si vous êtes enceinte ou pensez l'être, consultez votre médecin avant d'utiliser la baignoire.
- ⚠ **Avertissement** N'utilisez aucun appareil électrique (sèche-cheveux, lampe, téléphone, télévision, radio, etc.) à moins de 1,5 mètre (5 pieds) de la baignoire.
- ⚠ **Avertissement** Ne remplissez pas excessivement la baignoire avant d'y entrer. Un trop-plein pourrait se produire, créant des conditions glissantes. Soyez extrêmement prudent(e) à l'entrée et à la sortie.

Entretien et Nettoyage

- La plupart des saletés peuvent être éliminées avec de l'eau tiède et un savon doux.
- Pour les taches tenaces, utilisez du liquide vaisselle ou un détachant sans chlore.
- N'utilisez pas de matériaux abrasifs comme la laine d'acier ou les tampons à récurer pour nettoyer la surface en acrylique.
- Testez toujours le produit de nettoyage sur une petite zone avant de l'appliquer sur toute la surface.
- Ne laissez pas le produit de nettoyage agir trop longtemps sur la surface acrylique.
- Rincez abondamment à l'eau claire et séchez immédiatement avec un chiffon doux.

Réparation et Entretien

- Utilisez un polish liquide comme le Gel-Gloss Kitchen and Bath Polish™ pour préserver l'éclat d'origine de la surface acrylique.
- Les rayures légères peuvent être éliminées avec un polish pour automobiles.
- Pour les rayures plus profondes, utilisez du papier de verre à grain fin (1500 ou plus) avec de l'eau. Poncez toujours en mouillant la surface et travaillez par mouvements circulaires sur une zone légèrement plus large que la rayure. Répétez l'opération jusqu'à disparition complète de la rayure. Appliquez ensuite une petite quantité de polish à l'aide d'un chiffon doux pour redonner de l'éclat. Renouvelez l'opération si nécessaire jusqu'à obtenir un résultat satisfaisant.

Woodbridge garantit que les produits énumérés ci-dessous sont exempts de tout défaut de matériau et de fabrication, sous réserve des limitations stipulées dans la présente garantie limitée.

- Baignoire, baignoire de massage à remous/à bulles d'air, baignoire à immersion froide, Baignoire en bois: 1 an de garantie contre les défauts de matériaux et de fabrication.
- Salle de sauna et tente de sauna: 1 an de garantie contre les défauts de matériaux et de fabrication.
- Toilettes et bidet: 1 an de garantie contre les défauts de matériaux et de fabrication.
- Robinetterie: 1 an de garantie contre les défauts de matériaux et de fabrication.
- Meuble-lavabo et dessus de meuble-lavabo: 1 an de garantie contre les défauts de matériaux et de fabrication.
- Dessus de meuble-lavabo en granit, en marbre ou en quartz reconstitué: 1 an de garantie contre les défauts de matériaux et de fabrication.
- Armoire à pharmacie, miroir à DEL: 1 an contre les défauts de matériaux et de fabrication.
- Évier en acier inoxydable: 1 an de garantie contre les défauts de matériaux et de fabrication.
- Panneau de douche en surface solide et receveur de douche en SMC : garantie limitée de 10 ans contre tout défaut de matériau.
- Couvercle de drain et drain en PVC: garantie limitée de 1 an contre les défauts de matériaux et de fabrication.
- Porte de douche: garantie à vie sur les composants en verre et garantie limitée à 1 an sur les autres éléments de quincaillerie.

Cette garantie limitée n'est pas transférable et ne s'applique qu'aux produits achetés et installés aux États-Unis et au Canada.

Cette garantie limitée exclut toute utilisation industrielle, commerciale ou professionnelle. Une preuve d'achat (reçu de vente original) du premier acheteur, ainsi qu'une description et des photos du défaut, le numéro de modèle ou la description du modèle doivent être fournis à Woodbridge Bath pour toute réclamation au titre de la garantie. Woodbridge Bath n'est PAS responsable des coûts de main-d'œuvre, ni des frais de dépose ou d'installation.

Cette garantie limitée ne s'applique pas aux produits ayant fait l'objet d'un accident, d'une négligence, d'une installation incorrecte, d'un abus ou d'une mauvaise utilisation du produit, ou de l'utilisation de nettoyeurs contenant des abrasifs, de l'alcool ou d'autres solvants organiques, qu'elle soit effectuée par un entrepreneur, une société de service ou vous-même.

Cette garantie ne couvre pas les dommages de surface causés par l'utilisation de produits chimiques qui percent ou dissolvent la finition de la surface ou les dommages causés par la chute accidentelle d'objets lourds ou tranchants. Un mauvais entretien et l'utilisation de nettoyeurs abrasifs annulent la garantie.

Pendant cette période de garantie limitée, si un dysfonctionnement se produit et qu'après inspection il est déterminé qu'un défaut est apparu lors d'une utilisation normale, Woodbridge se réserve le droit, à sa discrétion, de prendre l'une des actions suivantes :

- (1) réparer ou remplacer la ou les pièces ou le ou les produits défectueux au prix coûtant
- (2) rembourser le prix d'achat initial du ou des produits (valable dans un délai de 30 jours à compter de la date d'achat)
- (3) émettre un crédit à appliquer à l'achat d'un nouveau produit. Des frais d'expédition ou de livraison peuvent s'appliquer. La décision d'imposer de tels frais, ainsi que leur montant et les conditions dans lesquelles ils s'appliquent, relève exclusivement de la discrétion de Woodbridge.

Attention:

N'UTILISEZ JAMAIS de produits nettoyeurs contenant des abrasifs, de l'ammoniaque, de l'eau de Javel, des acides, des cires, de l'alcool, des solvants ou tout autre produit non recommandé pour les finitions chromées. Le non-respect de cette instruction entraînera l'annulation de la garantie.

Woodbridge recommande fortement que l'installation soit effectuée par un professionnel qualifié et assuré afin d'assurer la performance et la sécurité du produit.

RESPONSABILITÉS D'AUTRUI

L'inspection de l'appareil avant son installation incombe à l'installateur ou à l'entrepreneur en bâtiment qui agit au nom de l'utilisateur. Il doit s'assurer que l'appareil ne présente aucun défaut ou dommage. Des avis sont placés sur l'appareil et sur le carton d'expédition pour informer l'installateur de cette responsabilité. En cas de problème, l'appareil ne doit pas être installé. Woodbridge n'est pas responsable des défaillances ou des dommages qui auraient pu être découverts, réparés ou évités par une inspection et des essais appropriés avant l'installation. Les dommages survenus pendant le transport relèvent de la responsabilité du transporteur.

L'installateur DOIT ouvrir la caisse et inspecter l'appareil pour vérifier qu'il n'est pas endommagé lors de la livraison. Si des dommages sont constatés, ils doivent être immédiatement signalés par écrit au vendeur et au transporteur, et une inspection doit être demandée. L'absence de réponse du transporteur doit être signalée au vendeur et au transporteur. Les réclamations concernant le fret doivent être déposées sans délai.

Cette garantie limitée ne couvre pas la responsabilité pour les dommages consécutifs ou accessoires, qui sont tous expressément rejetés par la présente, ou l'extension au-delà de la durée de cette garantie limitée de toute garantie limitée implicite, y compris celles de la qualité marchande ou de l'adéquation à l'usage prévu.

CLAUSE DE NON-RESPONSABILITÉ

Sauf disposition expresse, il n'existe aucune garantie ou obligation, expresse ou implicite, orale ou statutaire. Aucun revendeur ou autre personne n'est habilité à donner des garanties ou à faire des déclarations concernant ses produits. En aucun cas, nous ne pourrions être tenus responsables de telles garanties ou représentations.

Certains États/provinces n'autorisent pas la limitation de la durée d'une garantie implicite, ni l'exclusion ou la limitation des dommages spéciaux, accessoires ou indirects, de sorte que ces limitations et exclusions peuvent ne pas s'appliquer à vous. Cette garantie vous donne des droits légaux spécifiques, vous pouvez également avoir d'autres droits qui varient d'un état/province à l'autre.

Pour bénéficier de la garantie et obtenir des pièces de rechange, veuillez envoyer un courrier électronique à help@woodbridgebath.com en joignant les informations du reçu original. Woodbridge déterminera s'il convient de réparer ou de remplacer votre produit, de le rembourser ou de lui accorder un crédit.

IMPORTANT!

N'UTILISEZ PAS: Des nettoyeurs abrasifs tels que l'acide, l'ammoniaque, l'eau de Javel et autres solutions similaires. L'utilisation de telles solutions peut provoquer de la corrosion, un décollement de la finition et/ou un ternissement de la surface.

N'UTILISEZ PAS: Des éponges ou des tissus abrasifs. N'utilisez jamais d'objets tels que de l'acier, de la laine ou des brosses métalliques qui rayeraient de façon permanente la surface du produit.

Conservez ces instructions d'installation pour vous y référer ultérieurement!

Merci d'utiliser les produits **WOODBIDGE!**

WOODBIDGE®

Canada (Ontario) Centre de distribution
615 Orwell Street, Unit C, Mississauga, ON L5A2W4, Canada

California (Norwalk) Centre de distribution
15600 Blackburn Ave, Norwalk, CA 90650

New Jersey (Somerset) Centre de distribution
635 Pierce St, Somerset, NJ 08873

Floride (Orlando) Centre de distribution
13645 S Orange Ave, Orlando, FL 32824

**SCANNEZ
-MOI**

**Pour activer
la garantie**



Si vous avez des questions ou des préoccupations, n'hésitez pas à nous contacter.

Téléphone du service à la clientèle: 562 -229 -0088.(9 h à 17 h, heure normale du Pacifique, du lundi au vendredi) ou par courriel à: help@woodbridgebath.com